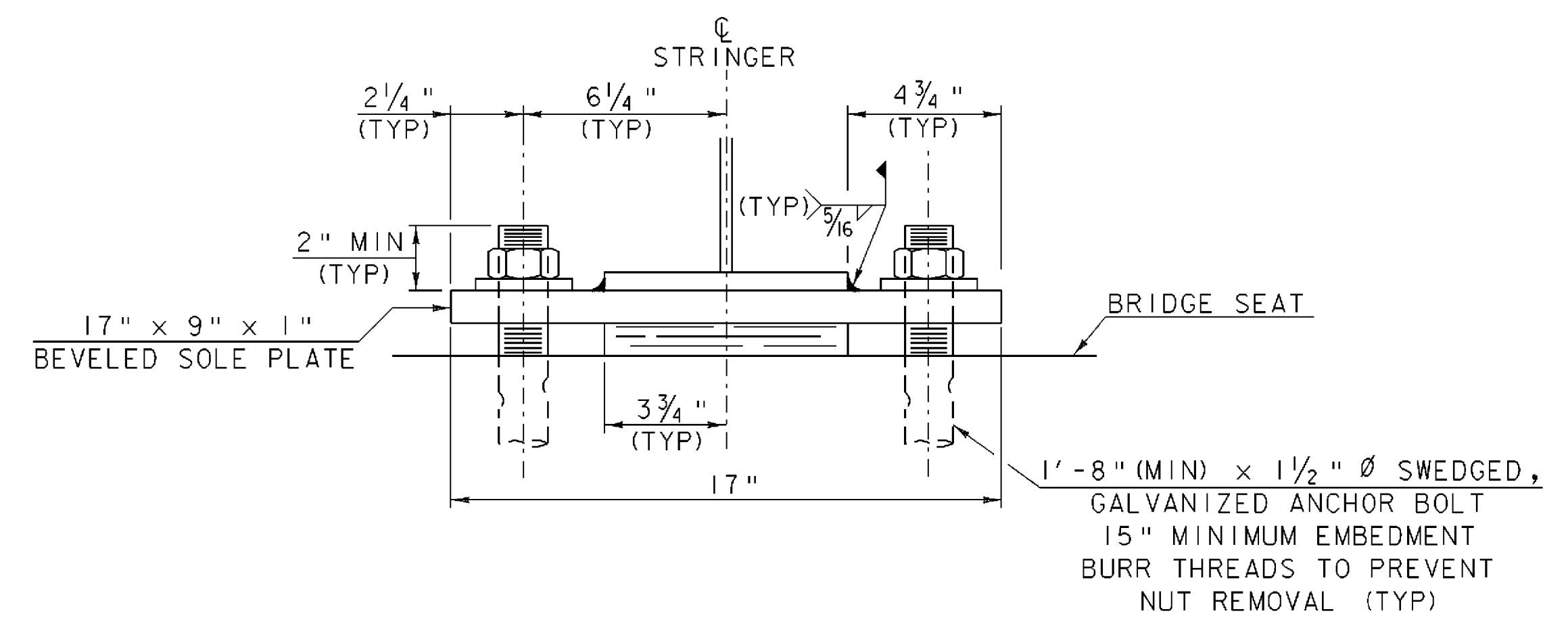
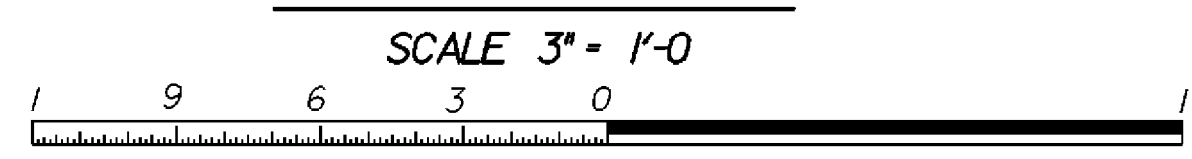
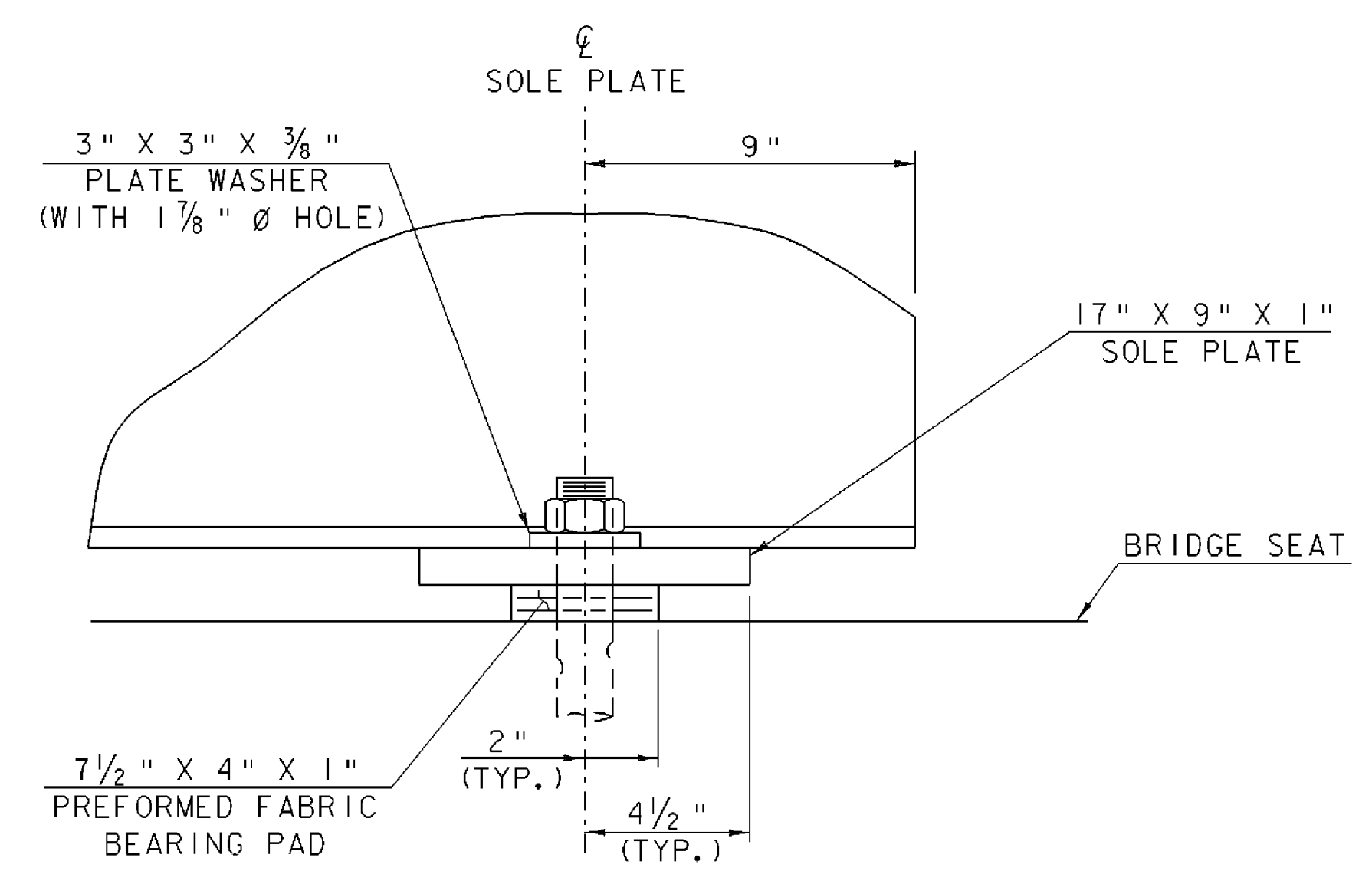
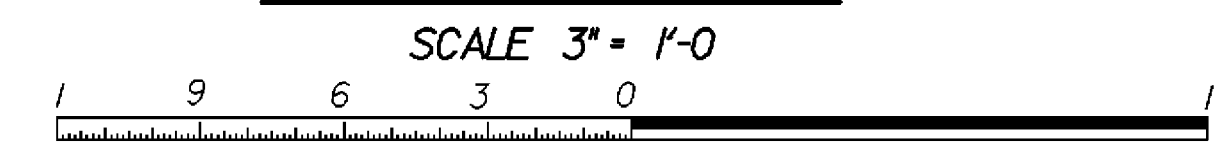


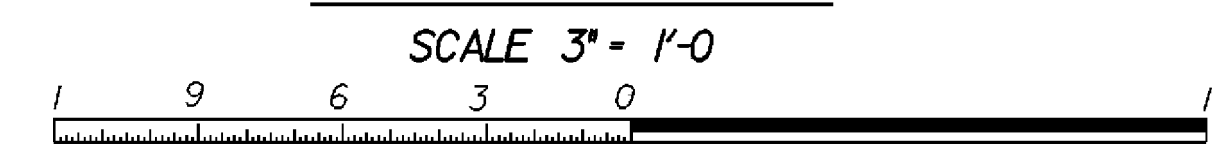
PLAN VIEW



FRONT VIEW



SIDE VIEW



## STRINGER FIXED BEARING DETAILS

PROJECT NAME: SPRINGFIELD	
PROJECT NUMBER: BHO 1442(30)	
FILE NAME: 96j348\str\s96j348brg.dgn	PLOT DATE: 27-DEC-2007
PROJECT MANAGER: R. R. WHITCOMB	DRAWN BY: L. BULLOCK
DESIGNED BY: C. CARLSON	CHECKED BY: C. CARLSON
s96j348brg2.i	SHEET 28 OF 85