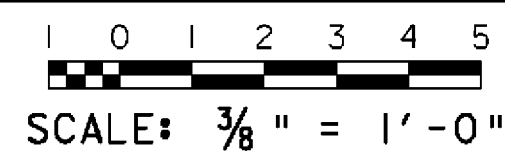
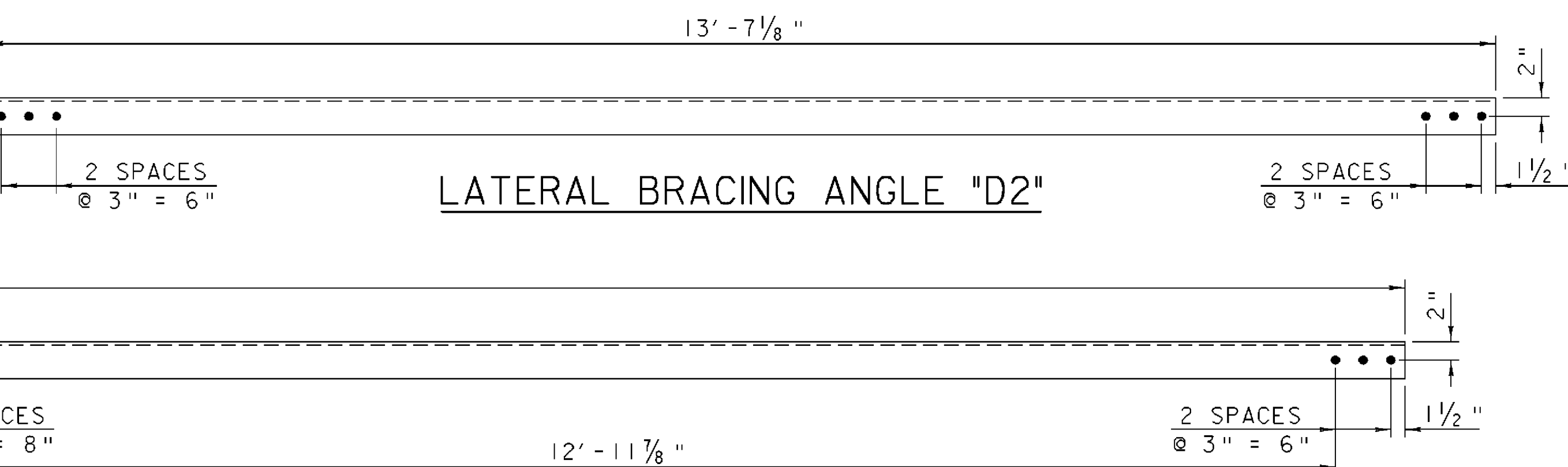


LATERAL BRACING PLAN

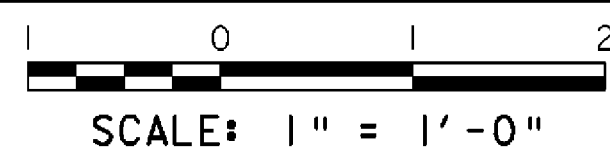


SCALE: 3/8" = 1'-0"

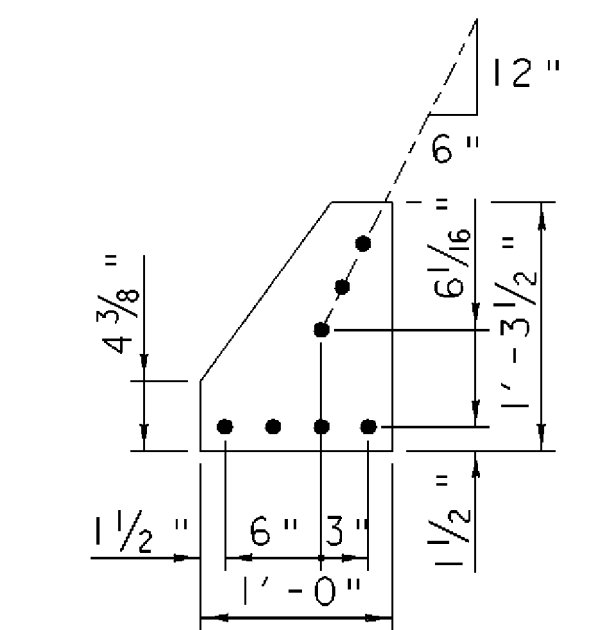


LATERAL BRACING ANGLE "D3"

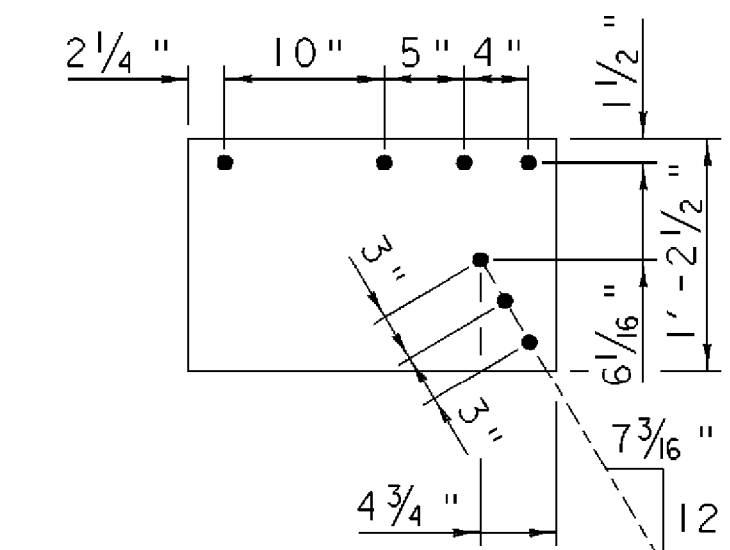
LATERAL BRACING ANGLE DETAILS



SCALE: 1" = 1'-0"

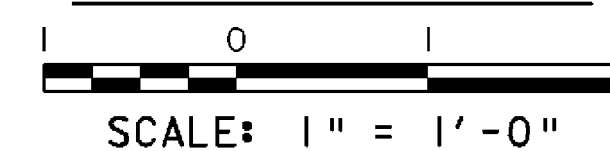


2 EA.-PLATE "G1"



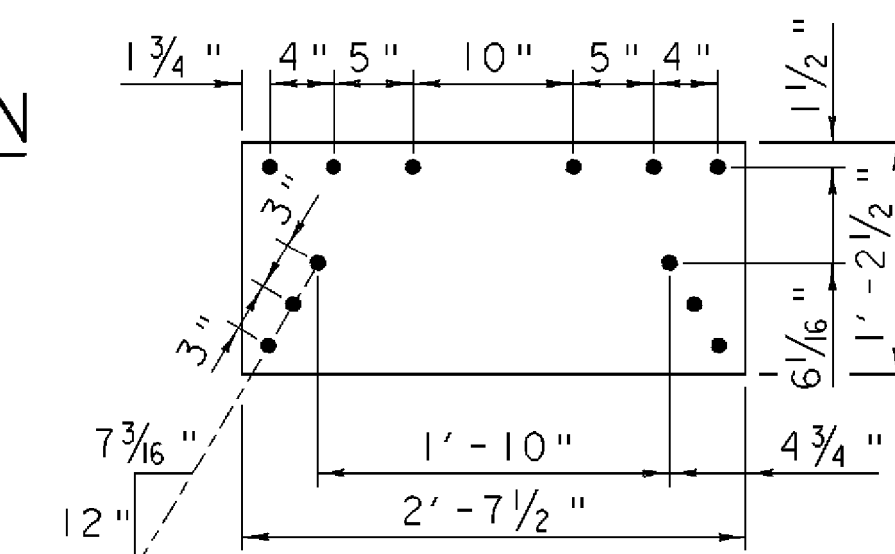
2 EA.-PLATE "G2"

LATERAL CONNECTION  
PLATE DETAILS

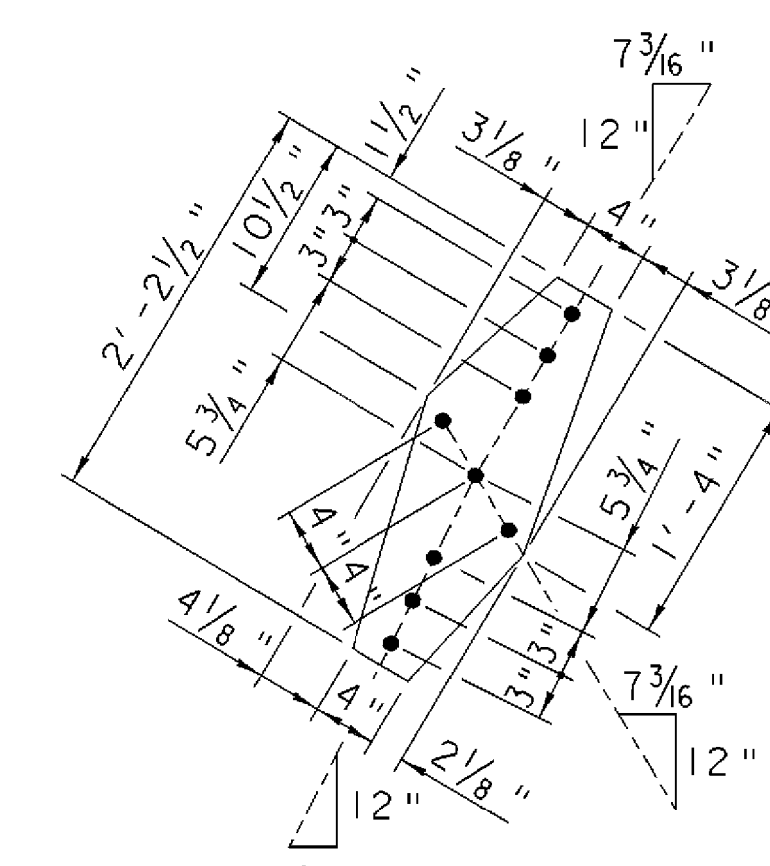


SCALE: 1" = 1'-0"

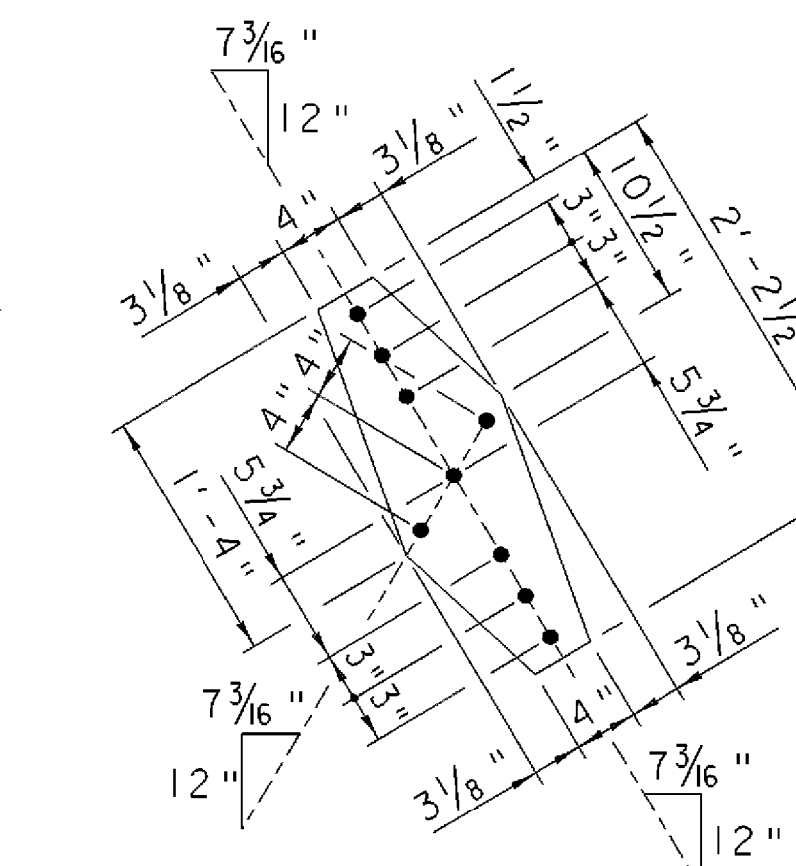
ALL PLATES ARE 3/8" THICK



(TYP.) 14 EA.-PLATE "G3"



2 EA.-PLATE "G4"



6 EA.-PLATE "G5"

LATERAL BRACING DETAILS

PROJECT NAME:	SPRINGFIELD	PLOT DATE:	27-DEC-2007
PROJECT NUMBER:	BHO 1442(30)	DRAWN BY:	L. BULLOCK
FILE NAME:	96j348/str/s96j348frm.dgn	DESIGNED BY:	C. CARLSON
PROJECT LEADER:	R. WHITCOMB	CHECKED BY:	C. CARLSON
DESIGNED BY:	C. CARLSON	SHEET	26 OF 85
s96j348tbl1			