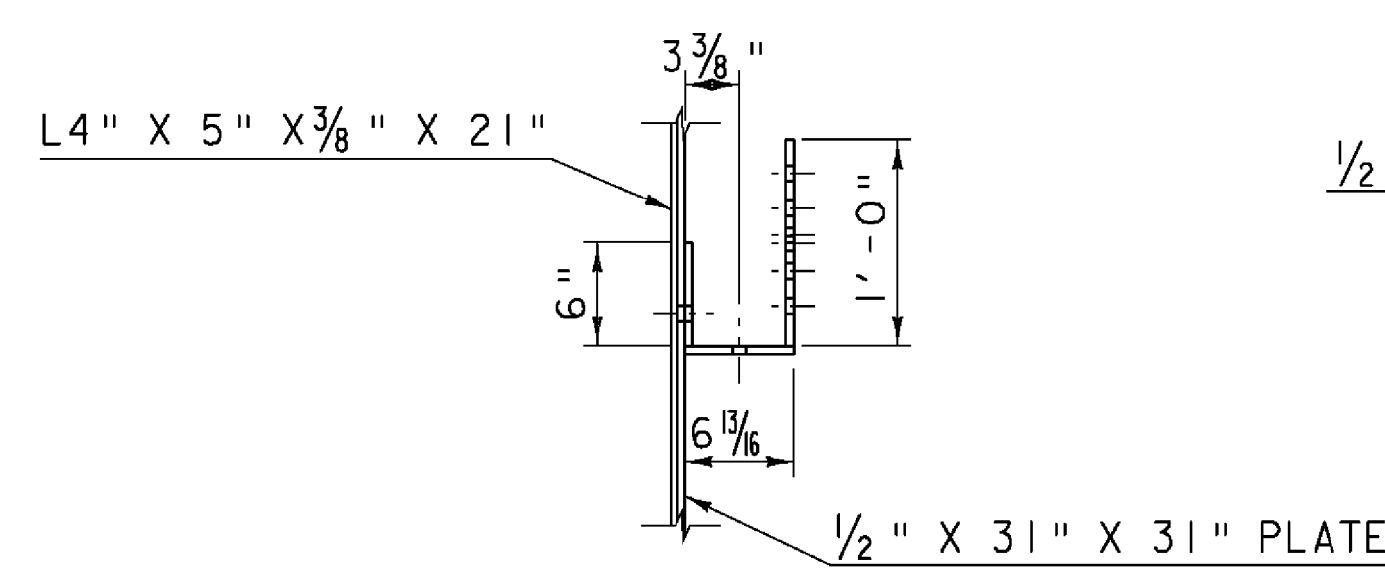
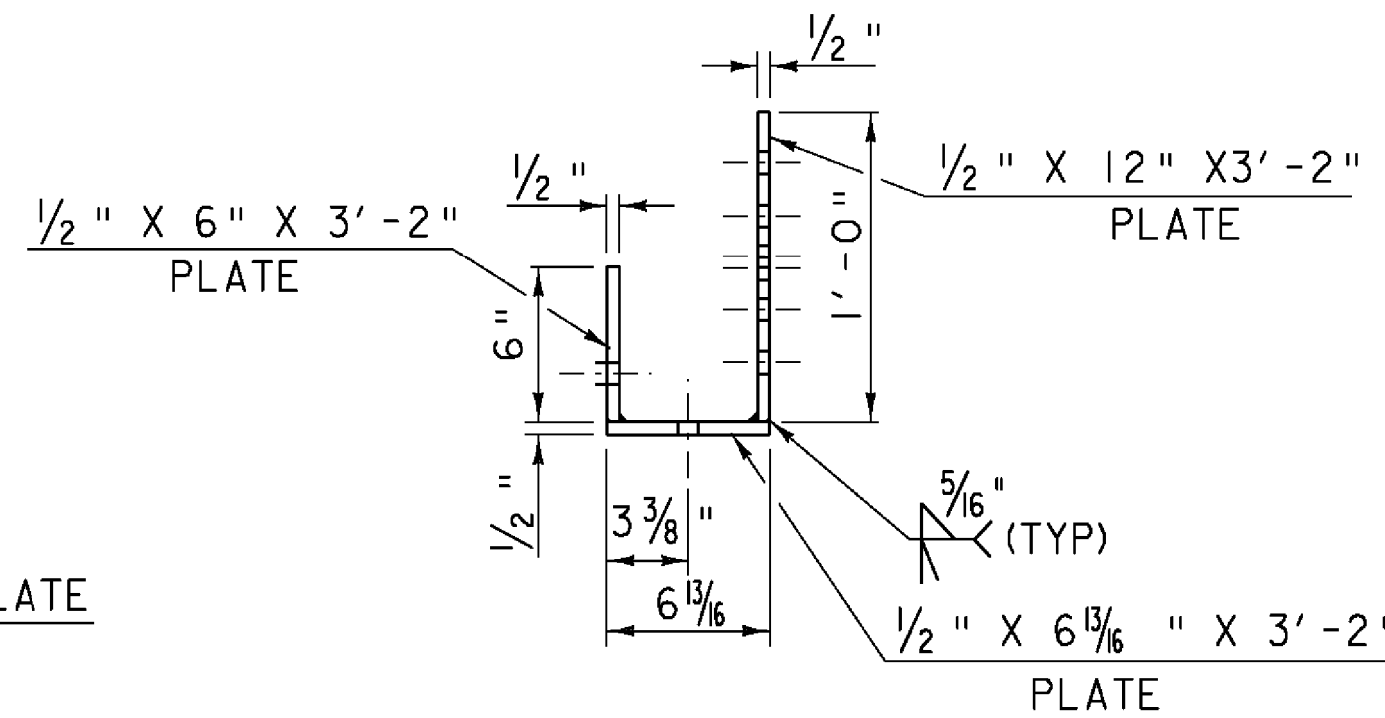


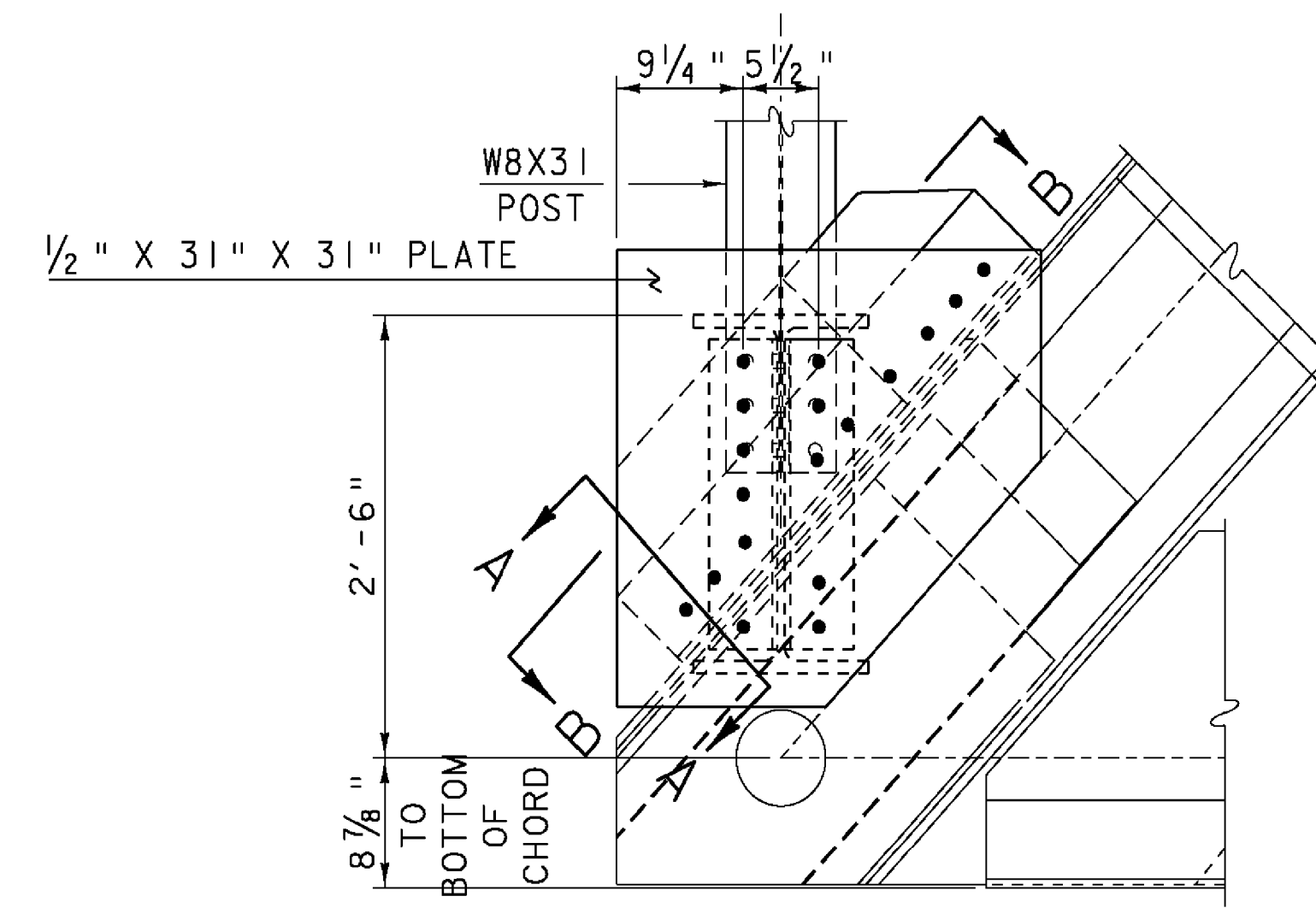
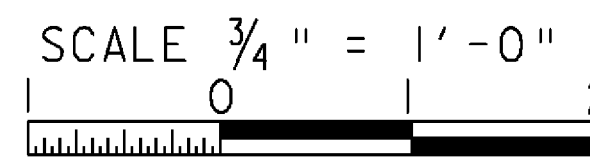
GUARD RAIL  
POST DETAIL  
FOR HEAVY TRUSS



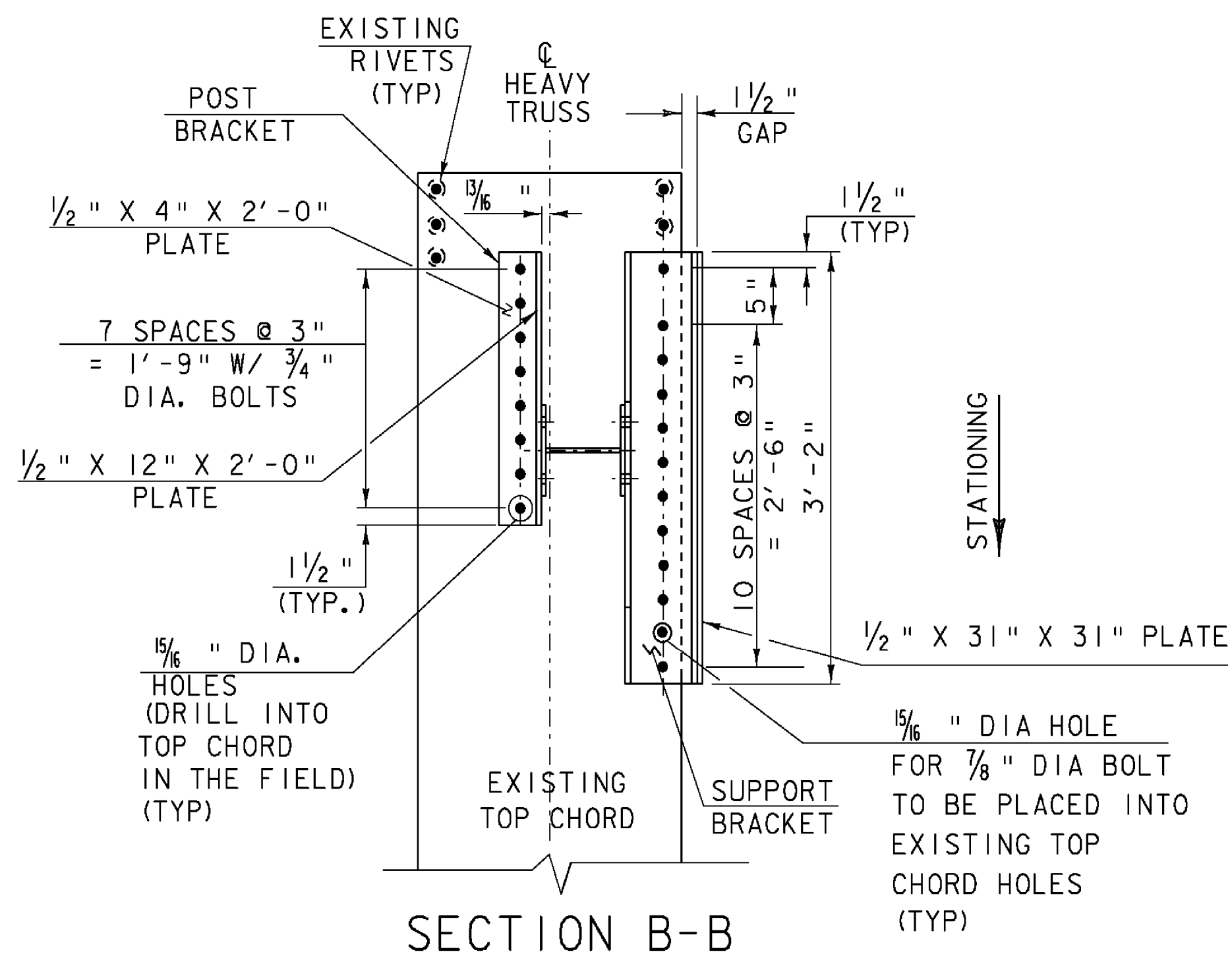
SECTION A-A  
SUPPORT BRACKET



SUPPORT BRACKET



CONNECTION OF FB2  
W/ HEAVY TRUSS  
AND RAIL POST  
(ABUT. NO. 1 END)



SECTION B-B

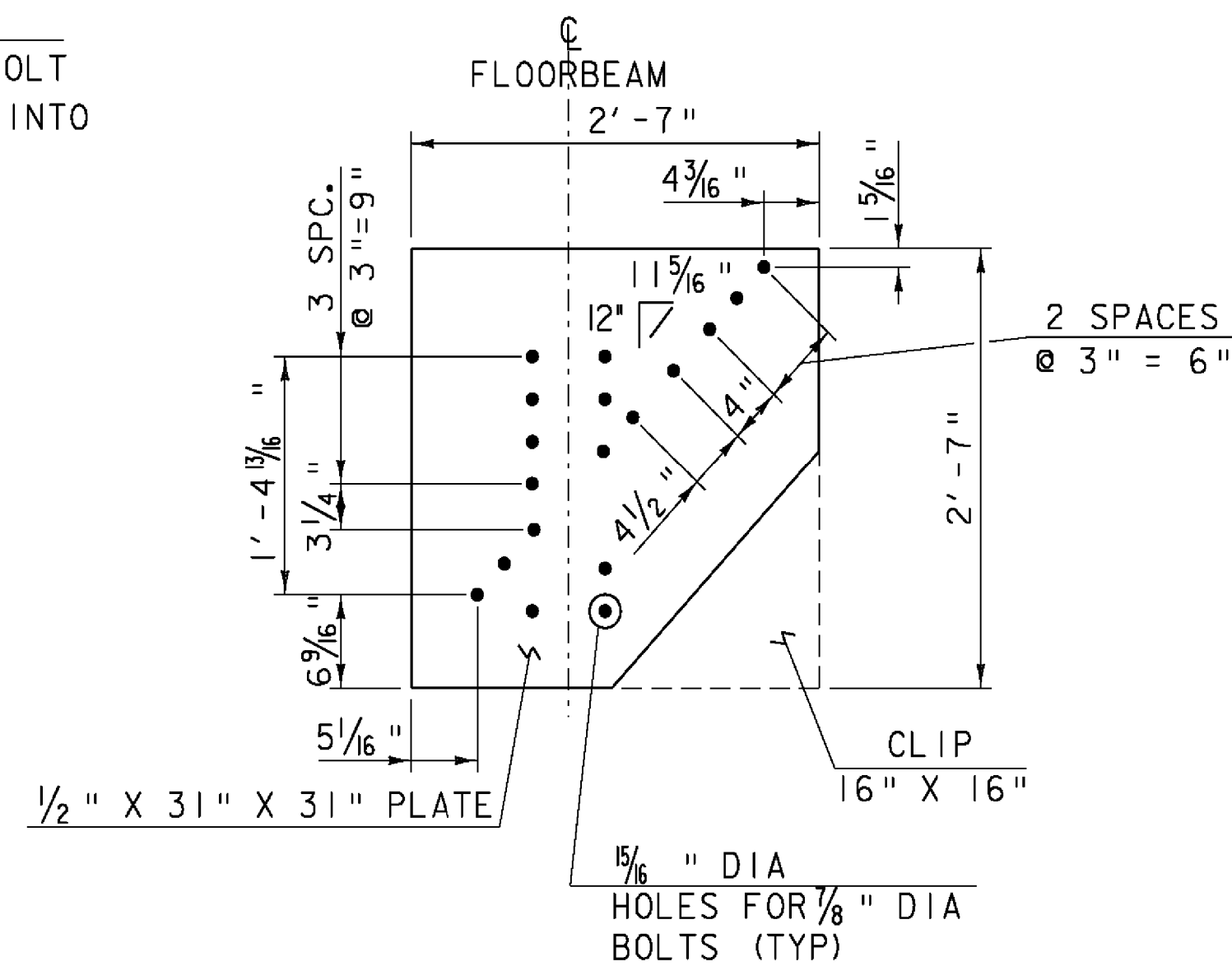
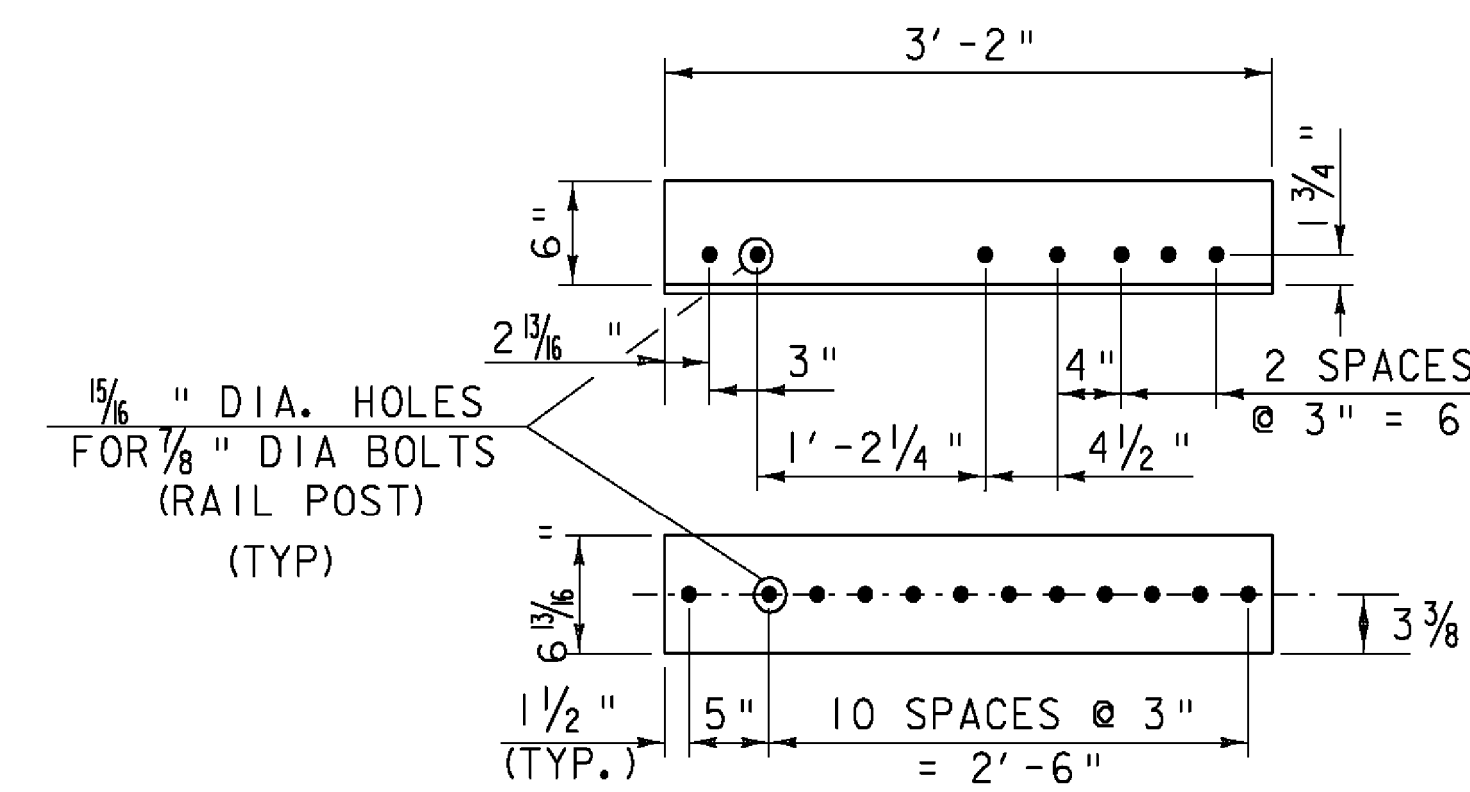
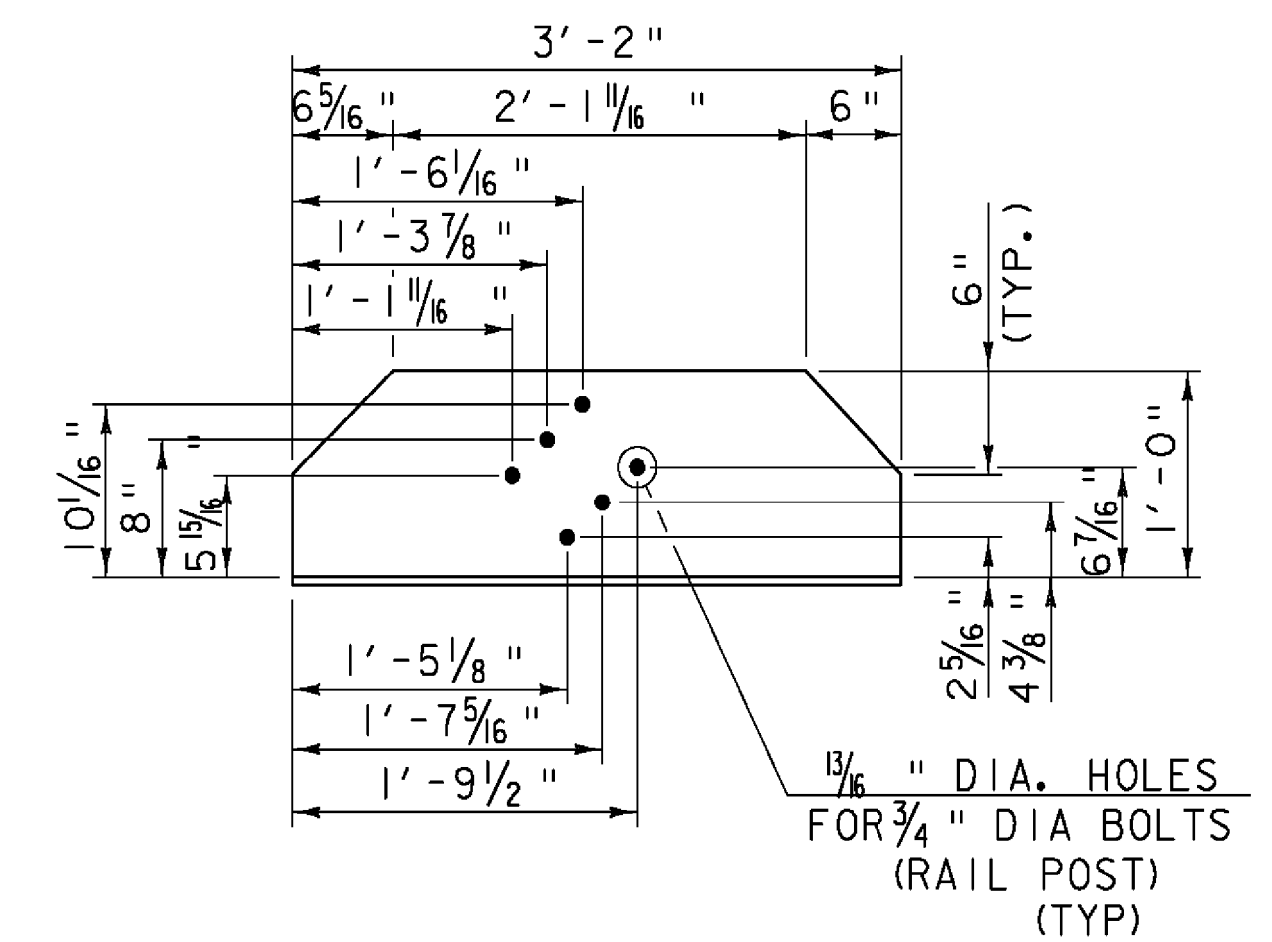


PLATE DETAIL



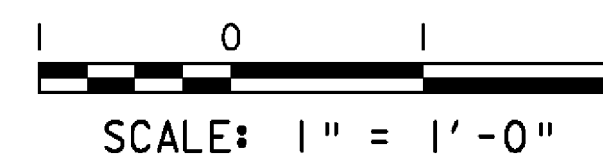
FLOOR BEAM CONNECTION  
VERTICAL LEG



RAIL CONNECTION  
VERTICAL LEG

SUPPORT BRACKET DETAILS

HEAVY TRUSS FLOOR BEAM  
TO TRUSS AT ABUTMENT NO. 1  
END DETAILS



NEW SHEET DUE TO REVISIONS  
10/27/2008

PROJECT NAME: SPRINGFIELD  
PROJECT NUMBER: BHO 1442(30)

FILE NAME: 96j348/str/s96j348frm.dgn  
PROJECT LEADER: R. WHITCOMB  
DESIGNED BY: J. PERRIGO

PLOT DATE: 30-OCT-2008  
DRAWN BY: J. PERRIGO  
CHECKED BY: D. PETERSON  
SHEET 25B OF 85