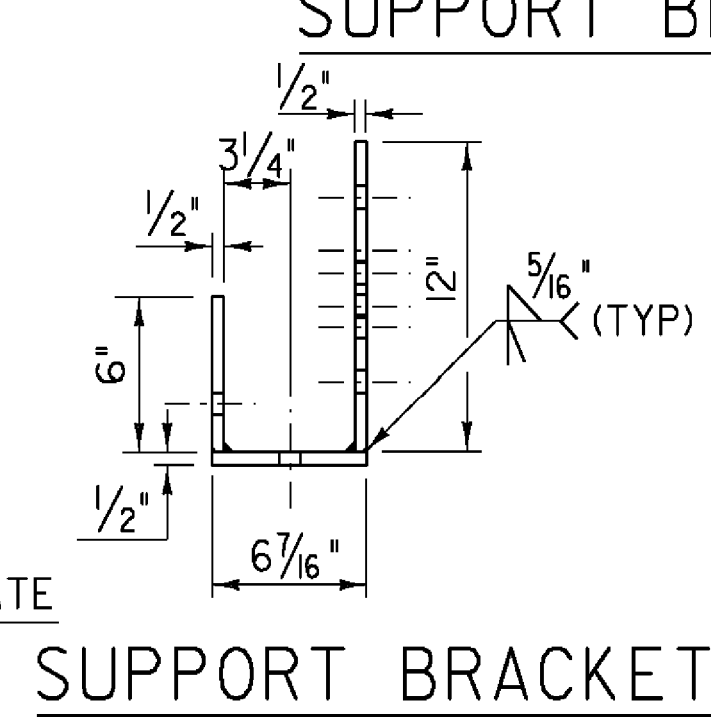
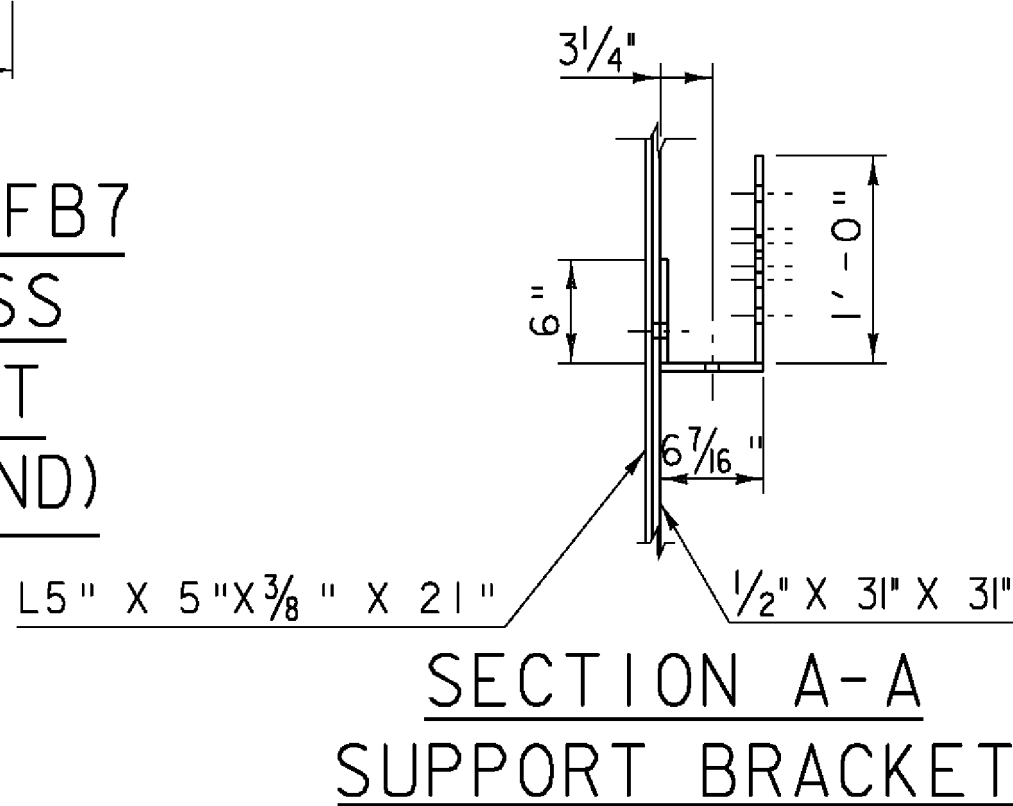
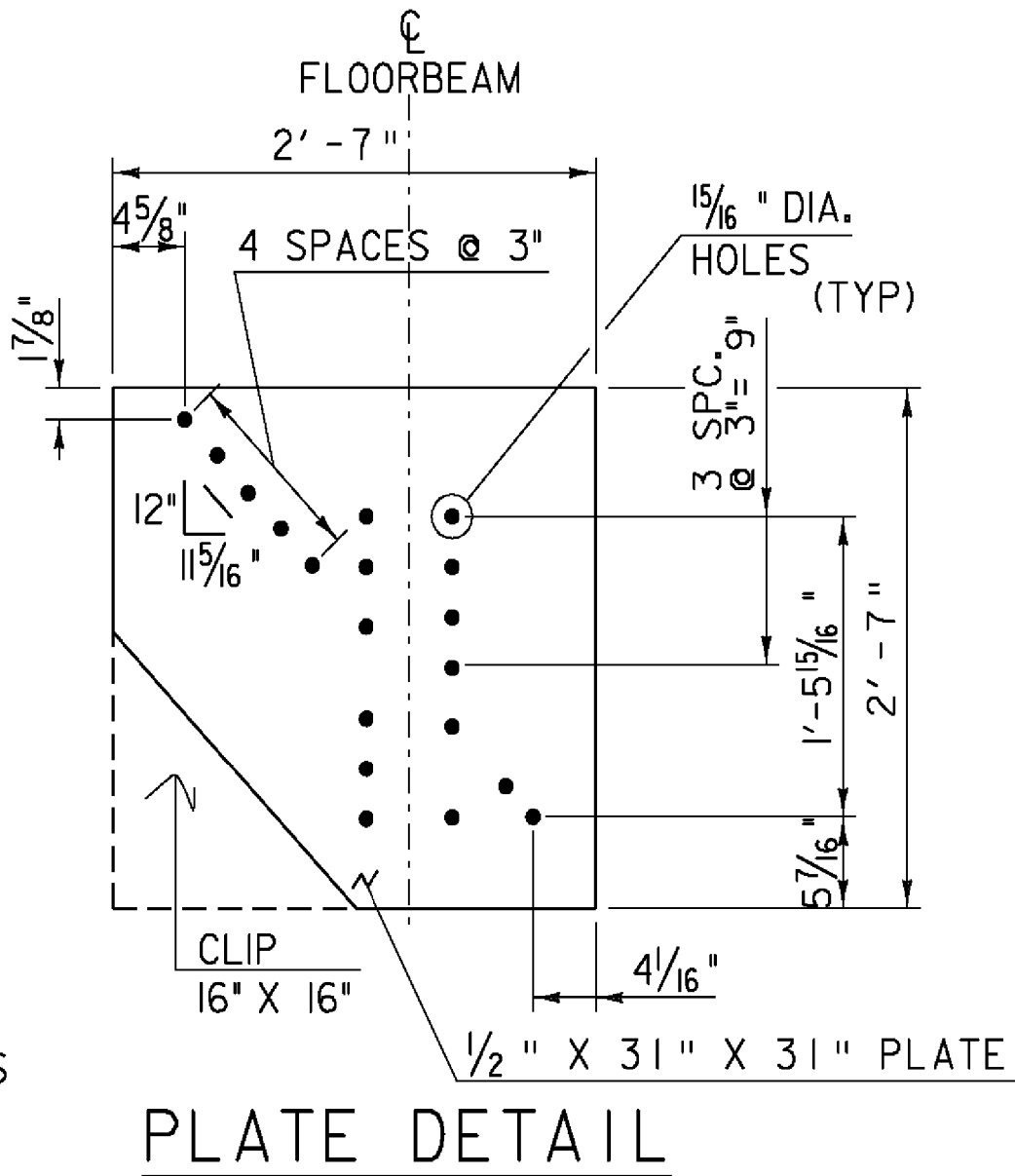
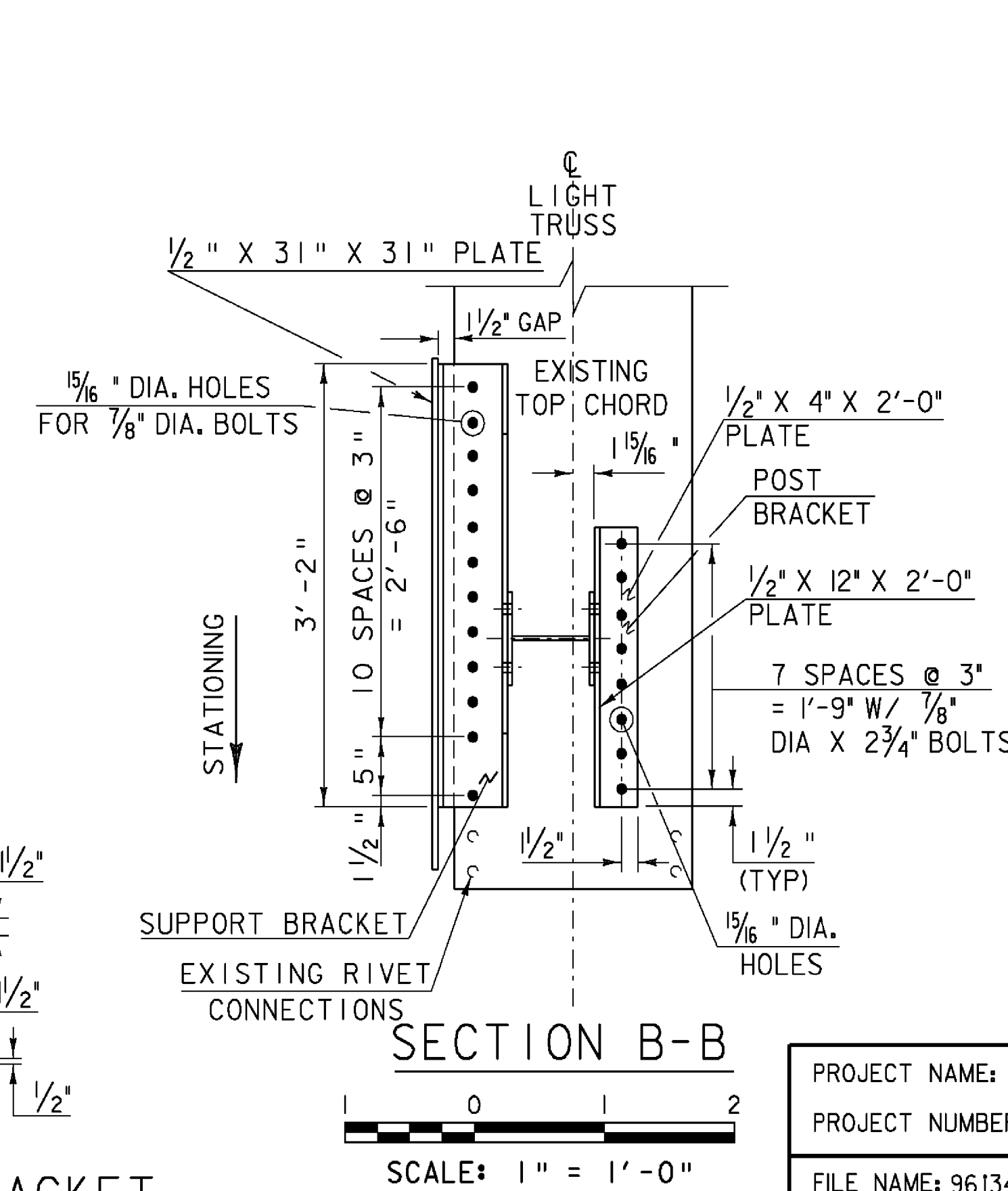
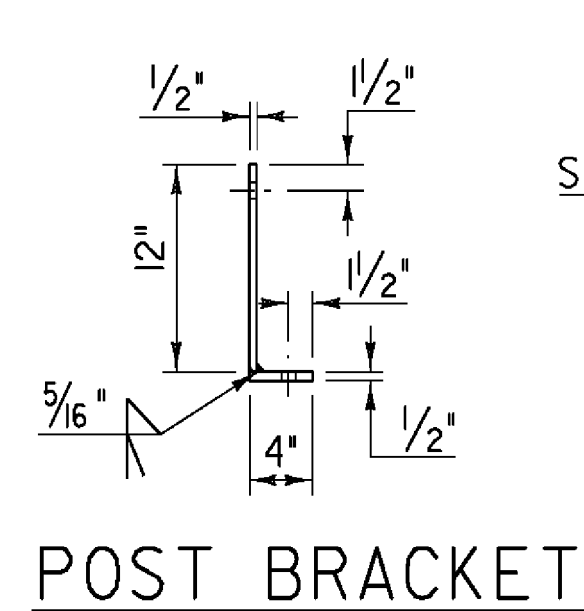
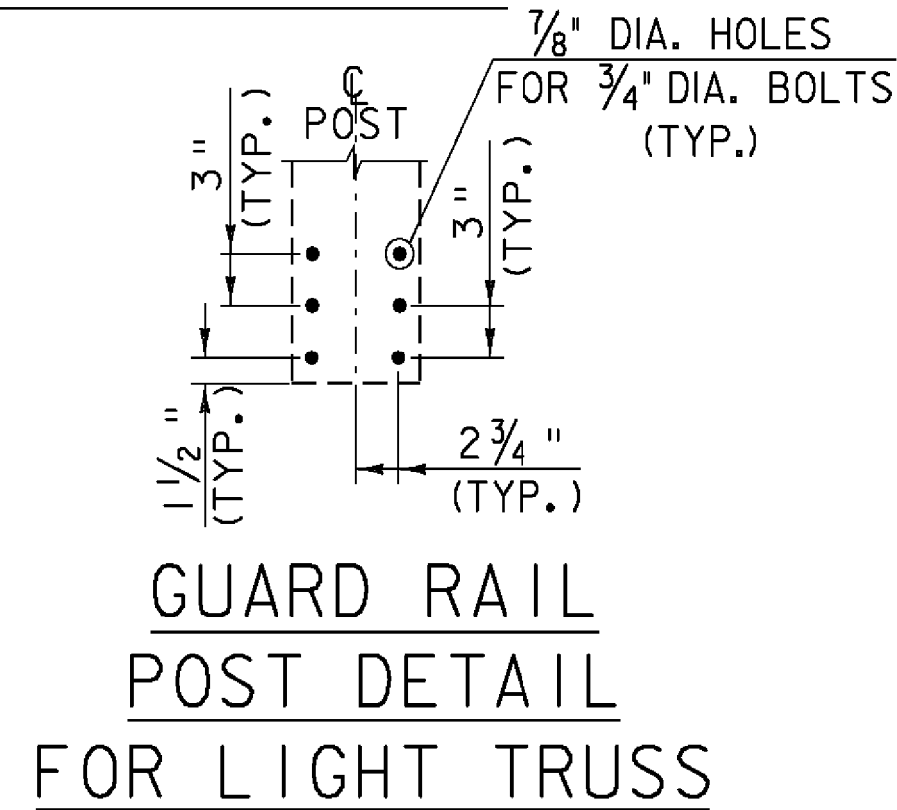


CONNECTION OF FB7 W/ LIGHT TRUSS AND RAIL POST (ABUT. NO. 2 END)



SUPPORT BRACKET DETAILS



FLOOR BEAM ELEVATIONS & LIGHT TRUSS DETAILS

REVISION SHEET 10-27-08

PROJECT NAME: SPRINGFIELD
PROJECT NUMBER: BHO 1442(30)

FILE NAME: 96J348/str/s96J348frm.dgn
PROJECT LEADER: R. WHITCOMB
DESIGNED BY: J. PERRIGO
s96J348fb2.1

PLOT DATE: 30-OCT-2008
DRAWN BY: J. PERRIGO
CHECKED BY: D. PETERSON
SHEET 25A OF 85