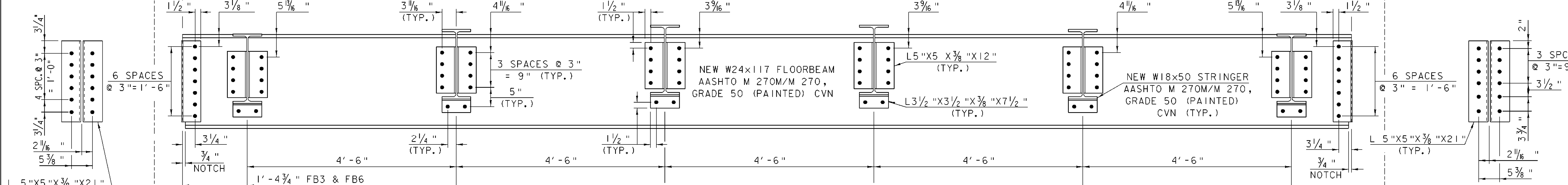
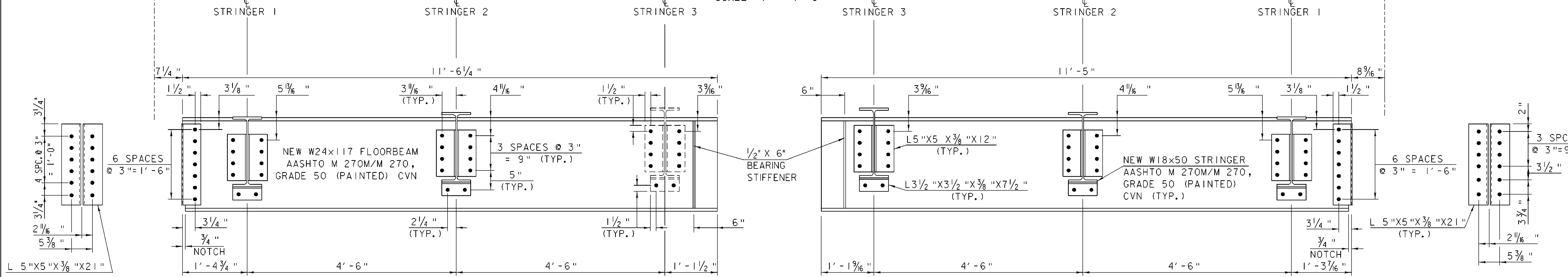
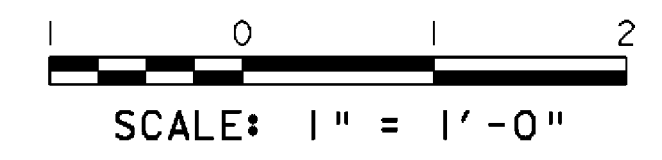


LIGHT TRUSS
 7 1/4" 25' - 2 3/16" FB 3 (2 EACH)
 7 7/16" 25' - 2" FB 4 (2 EACH)
 7 7/16" 25' - 1 7/8" FB 5 (1 EACH)
 7 1/4" 25' - 2 1/16" FB 6 (2 EACH)
 HEAVY TRUSS

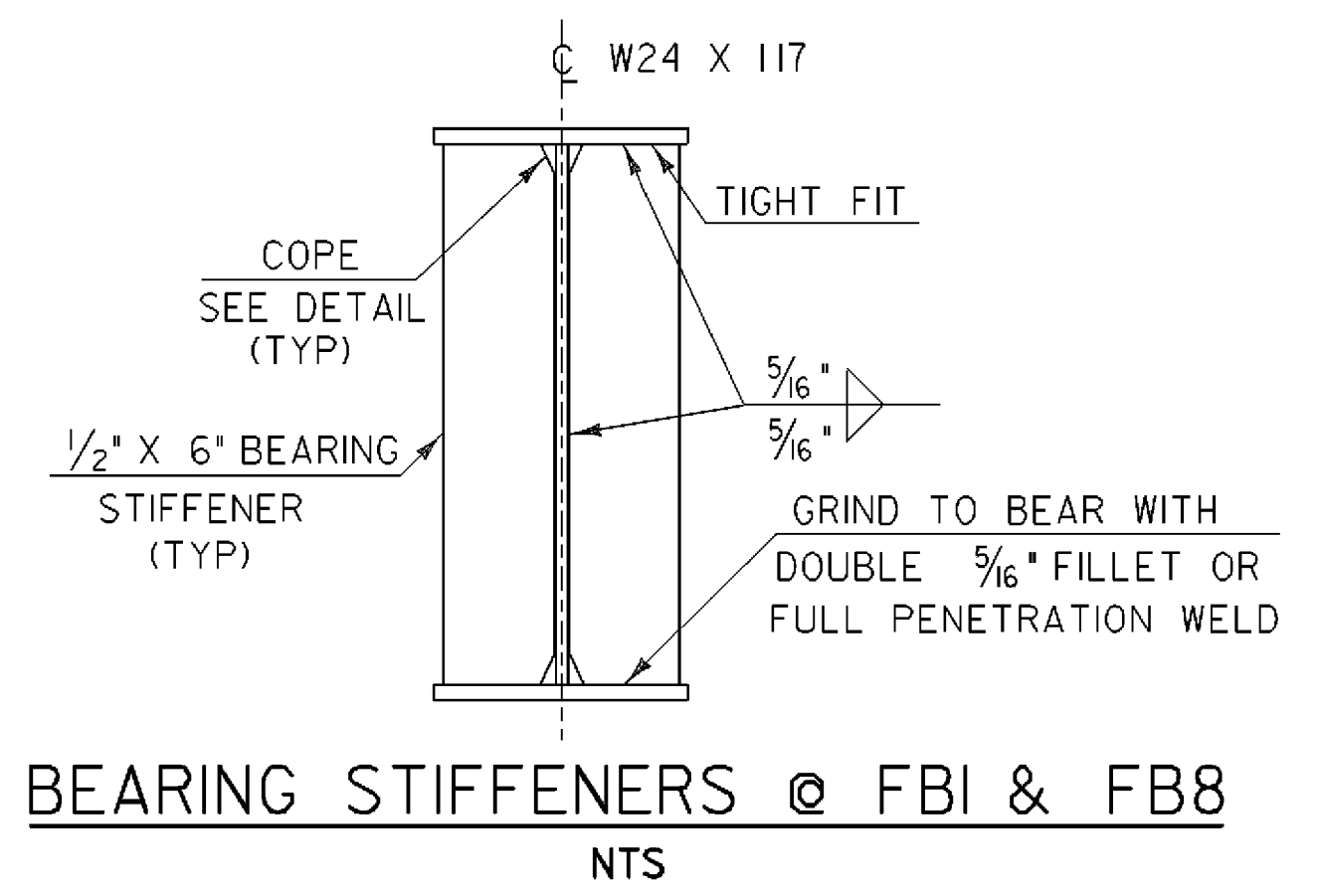
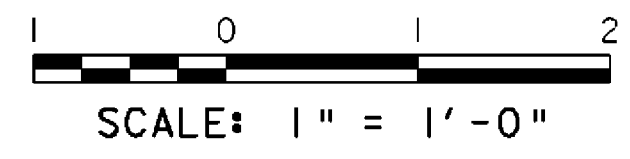
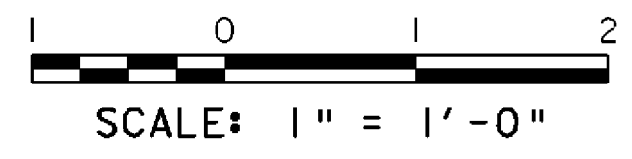


FLOOR BEAM FB3, FB4, FB5 & FB6 ELEVATION

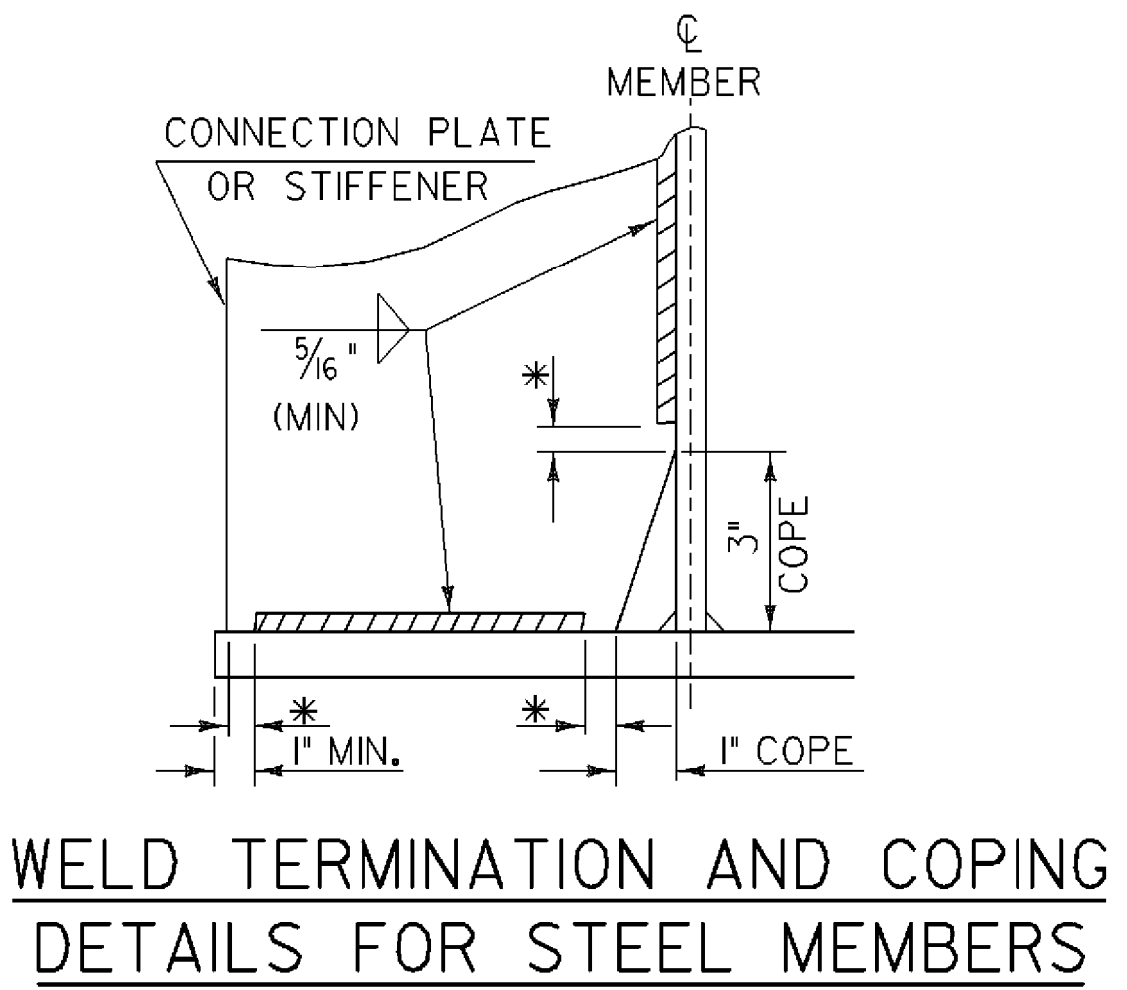


FLOOR BEAM FB1 ELEVATION

FLOOR BEAM FB8 ELEVATION



BEARING STIFFENERS @ FB1 & FB8



WELD TERMINATION AND COPING DETAILS FOR STEEL MEMBERS

* NO WELD FOR 3/8" MIN. 7/8" MAX. (EXCEPT MUST MAINTAIN 1" MINIMUM FROM EDGE OF FLANGE)

FLOOR BEAM ELEVATIONS

PROJECT NAME:	SPRINGFIELD	PROJECT NUMBER:	BHO 1442(30)
FILE NAME:	96j348/str/s96j348frm.dgn	PLOT DATE:	27-DEC-2007
PROJECT LEADER:	R. WHITCOMB	DRAWN BY:	J. PERRIGO
DESIGNED BY:	J. PERRIGO	CHECKED BY:	D. PETERSON
s96j348fbl		SHEET 25	OF 85