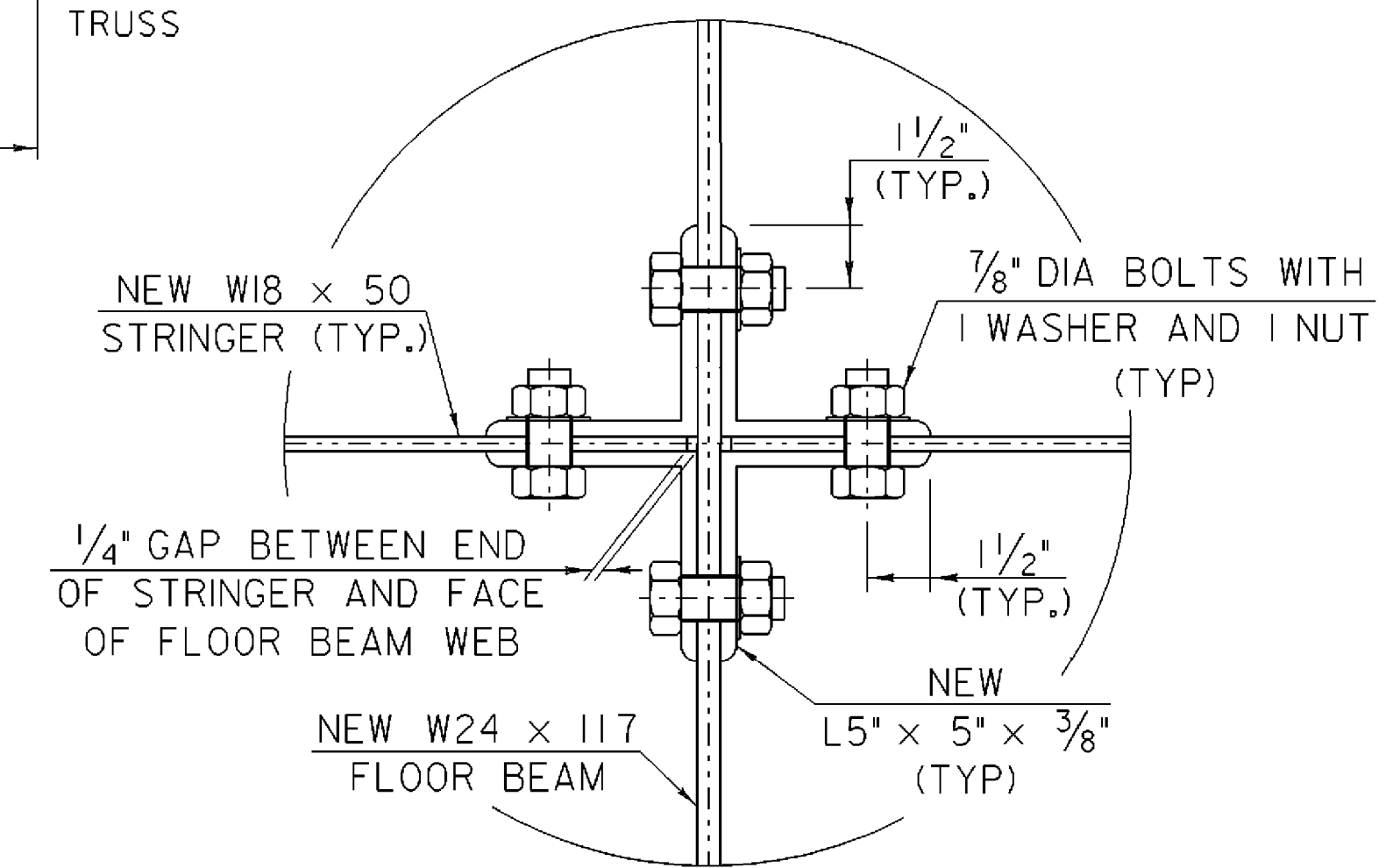


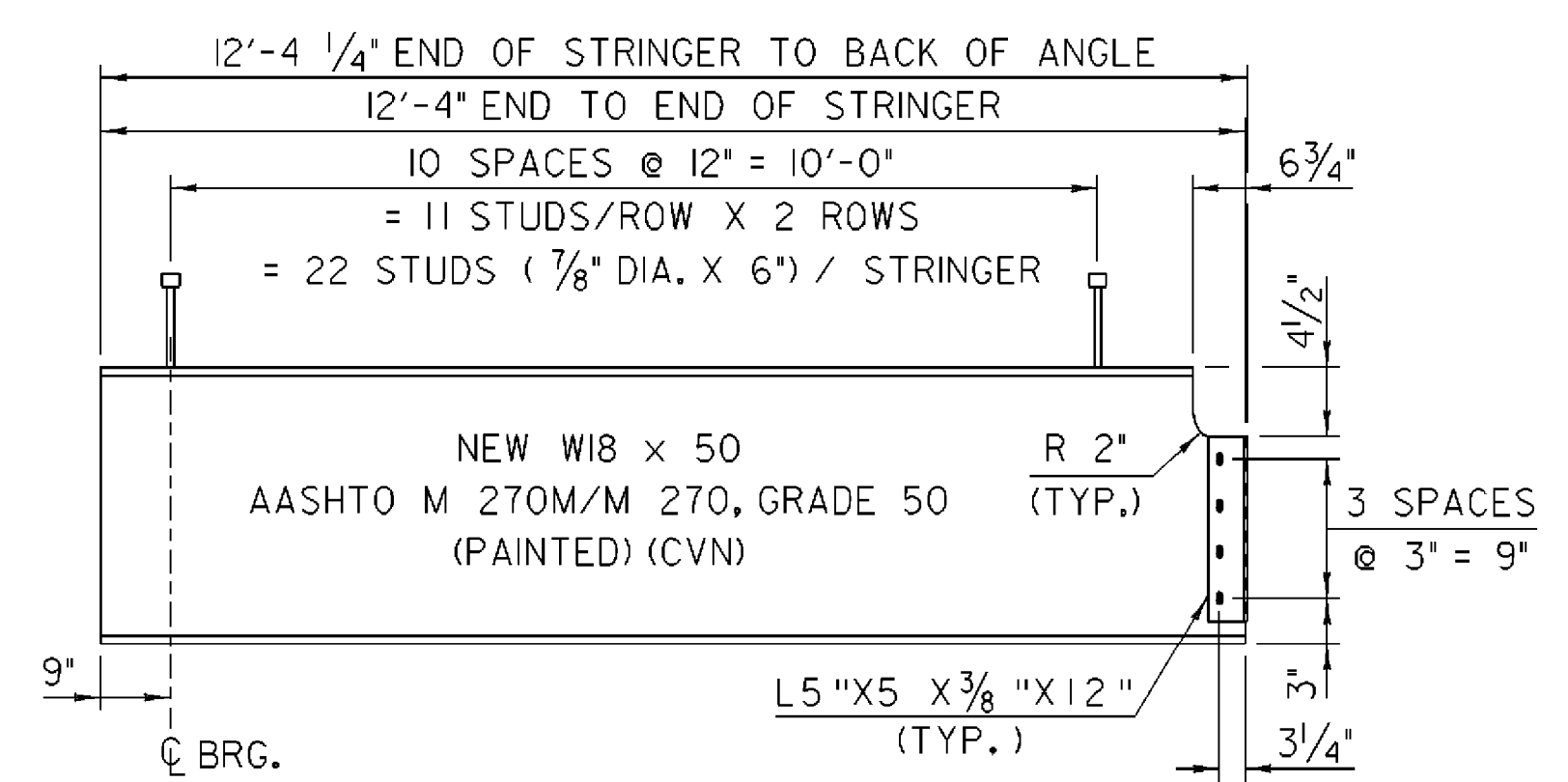
FLOOR SYSTEM FRAMING PLAN

10 2 4 6 8 10
 SCALE: 1/8" = 1'-0"
 (SEE SHEETS 25 & 25A FOR ADDITIONAL CONNECTION DETAILS)
 & 25B

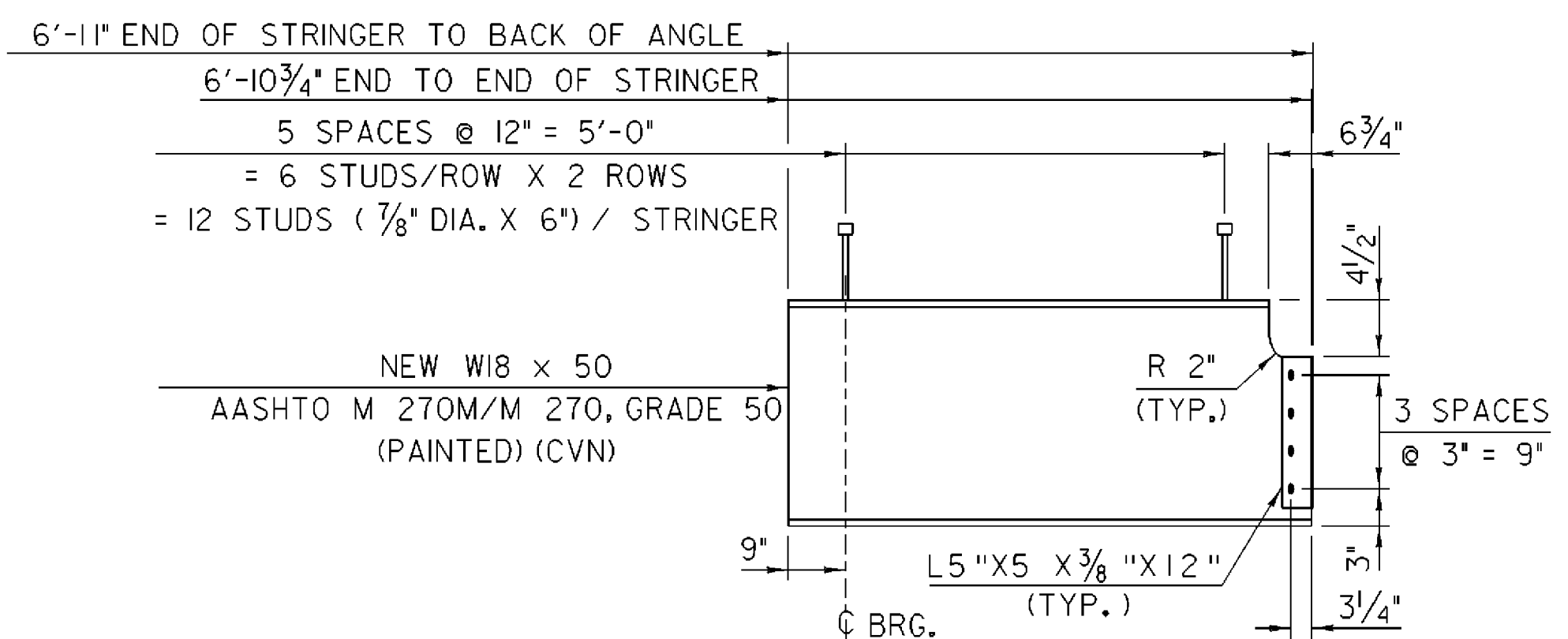


DETAIL "A" SHOWING CONNECTION BETWEEN NEW FLOOR BEAMS AND STRINGERS

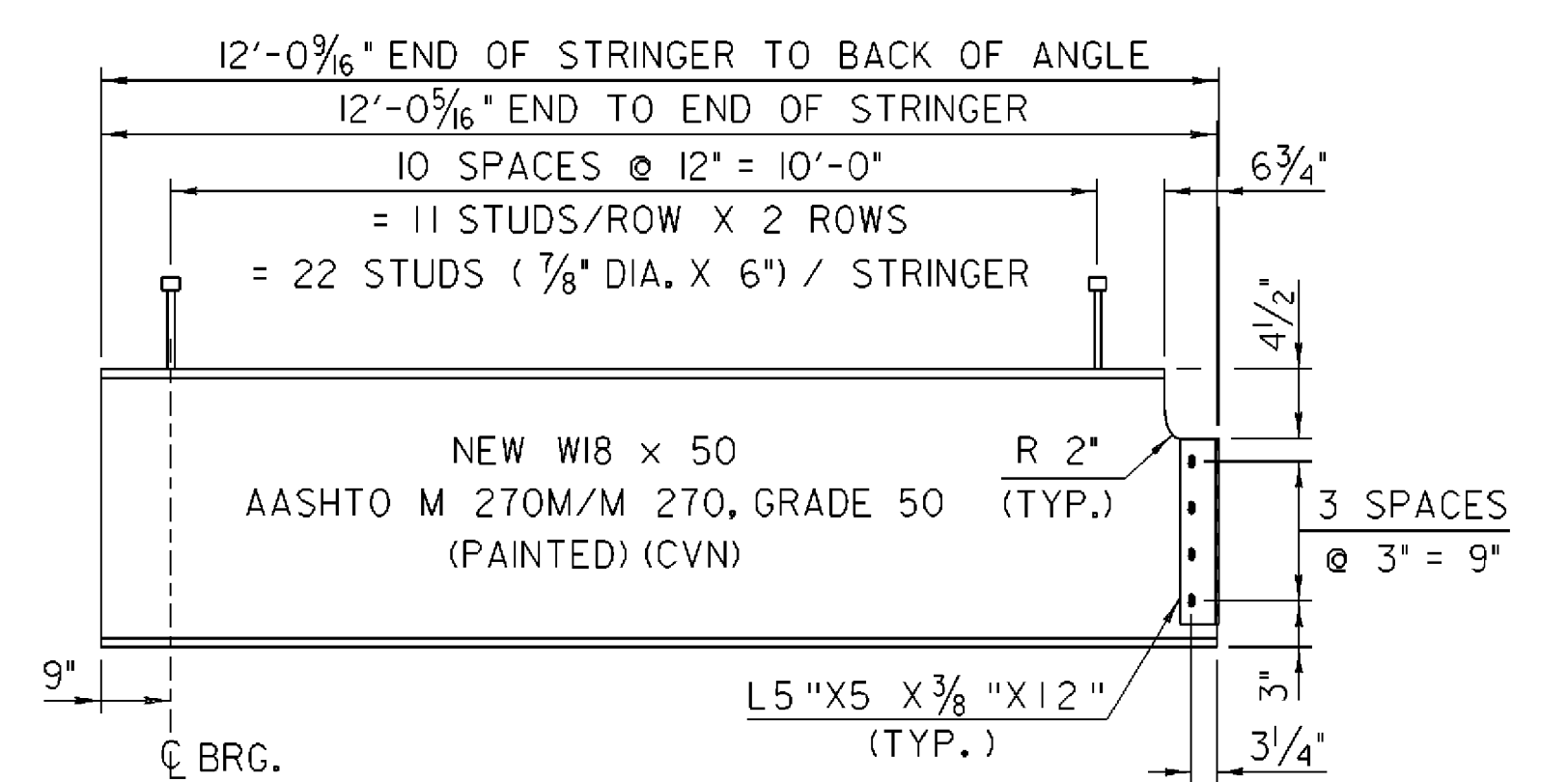
0.5 0.25 0 0.25 0.5
 SCALE: 3" = 1'-0"
 NOTE: FLANGES OF FLOOR BEAMS AND STRINGERS NOT SHOWN FOR PURPOSES OF CLARITY.



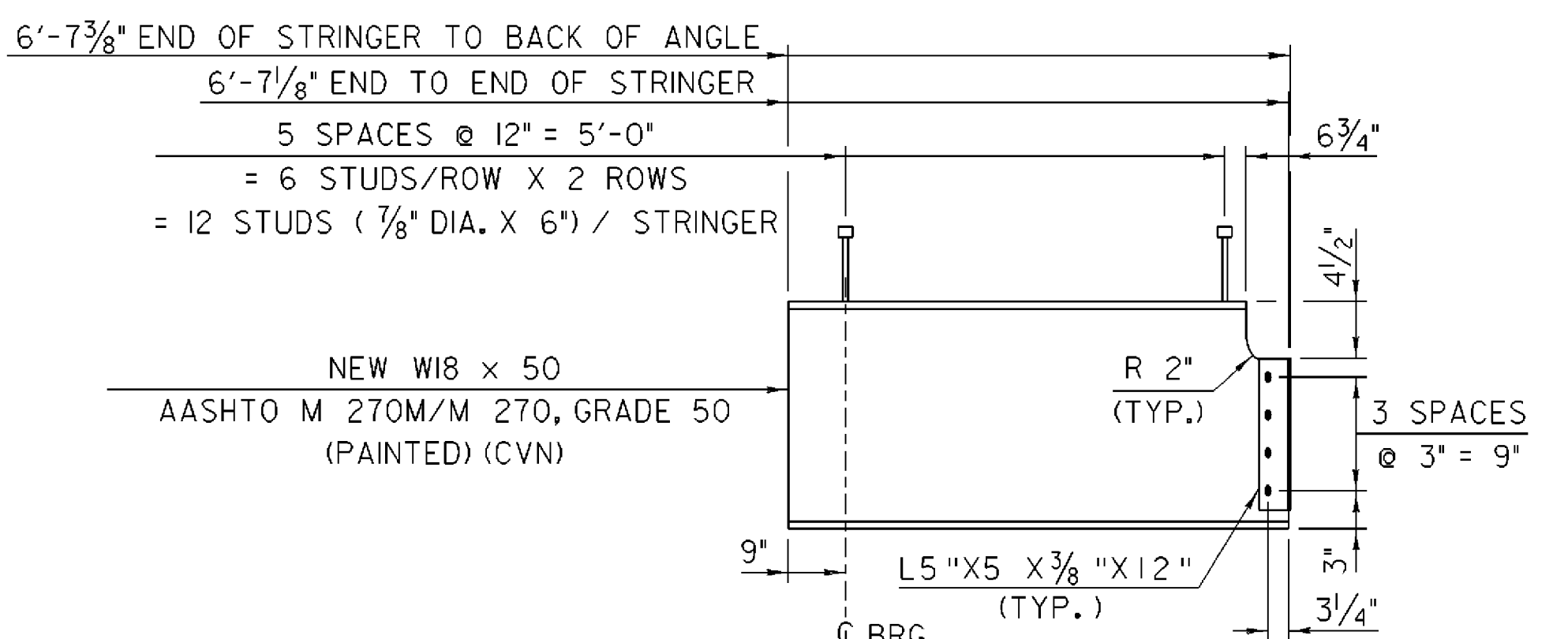
2 EA. - STRINGER S2



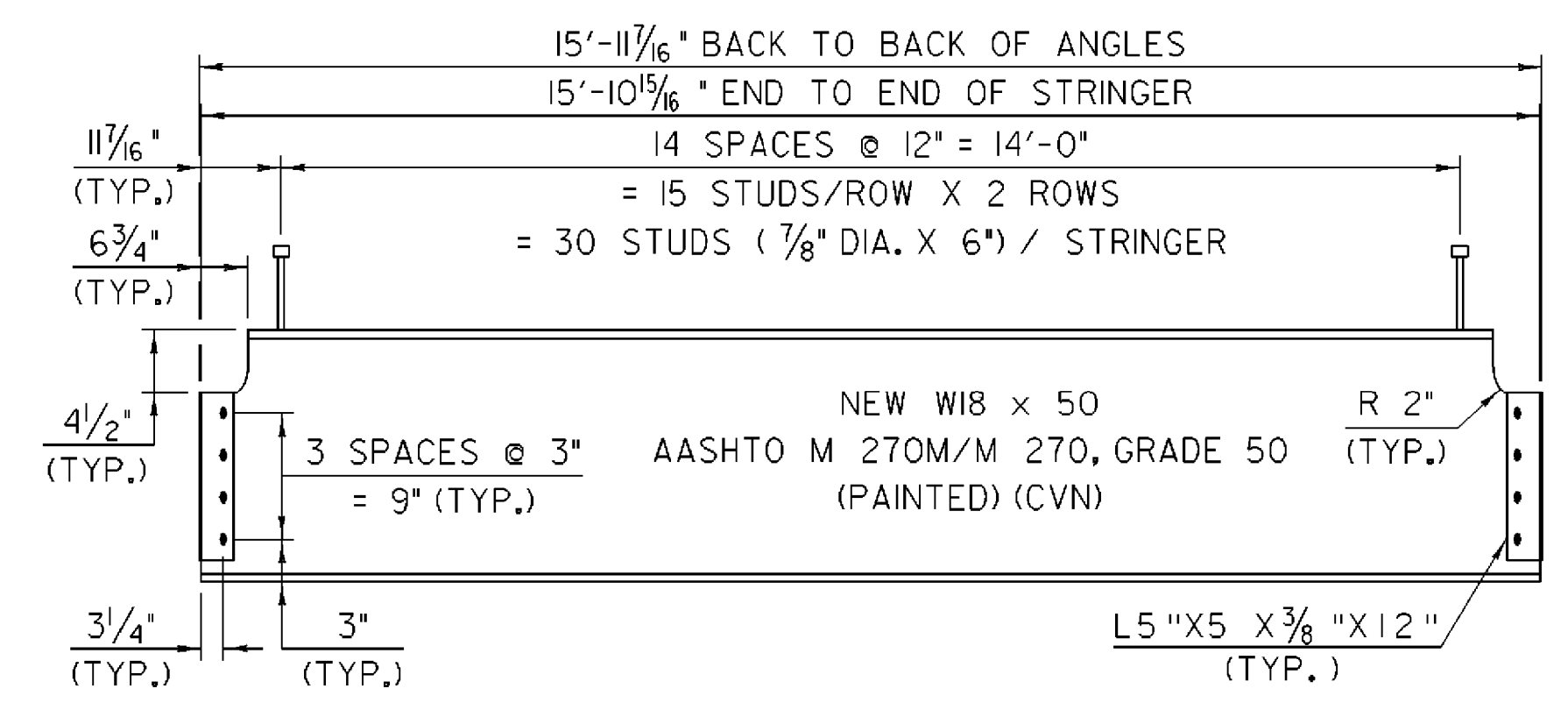
2 EA. - STRINGER S3



2 EA. - STRINGER S4



2 EA. - STRINGER S5



54 EA. - STRINGER S1

STRINGER ELEVATIONS

1 0 1 2 3 4
 HORIZONTAL SCALE: 1/2" = 1'-0"
 1 0 1 2
 VERTICAL SCALE: 1" = 1'-0"

FRAMING PLAN

PROJECT NAME:	SPRINGFIELD	PLOT DATE:	27-DEC-2007
PROJECT NUMBER:	BHO 1442(30)	DRAWN BY:	L. BULLOCK
FILE NAME:	96j348/str/s96j348frm.dgn	DESIGNED BY:	J. PERRIGO
		CHECKED BY:	J. PERRIGO
		SHEET	24 OF 85