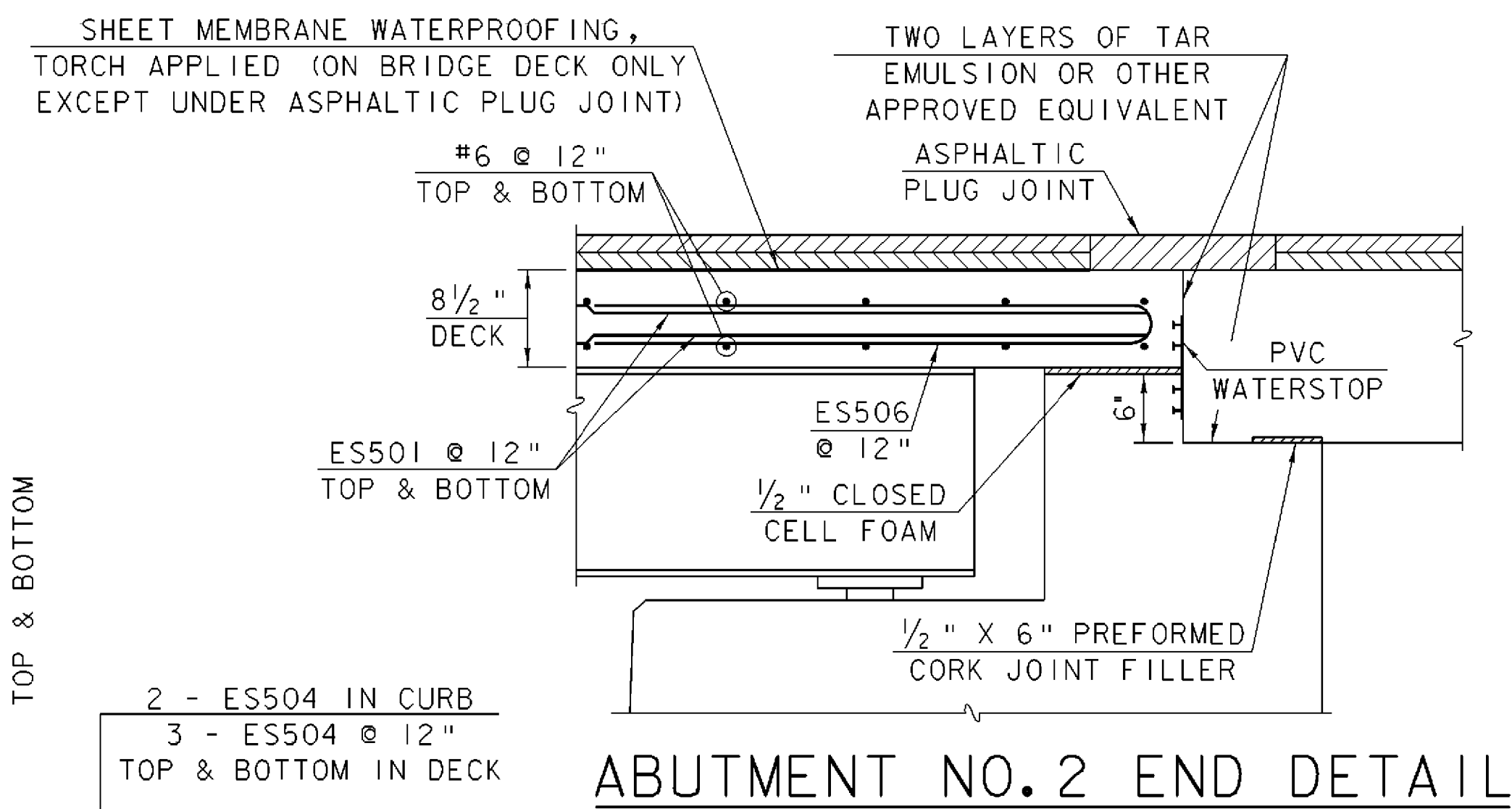


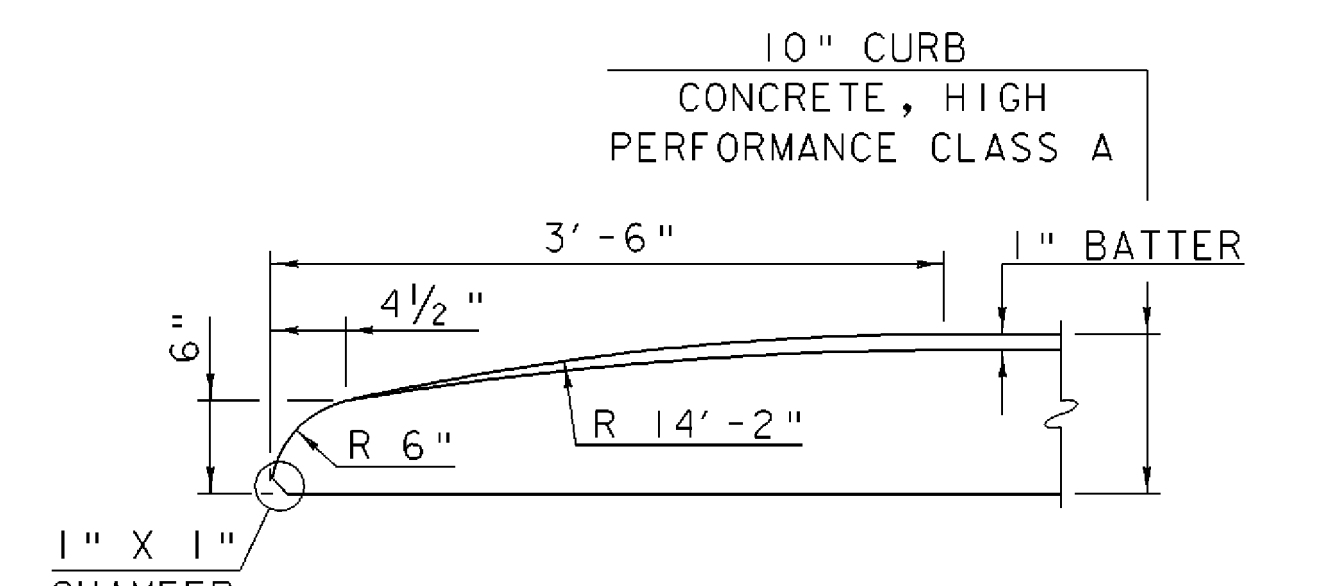
DECK REINFORCING PLAN

HORIZONTAL SCALE: 1" = 10'-0" VERTICAL SCALE: 1" = 5'-0"



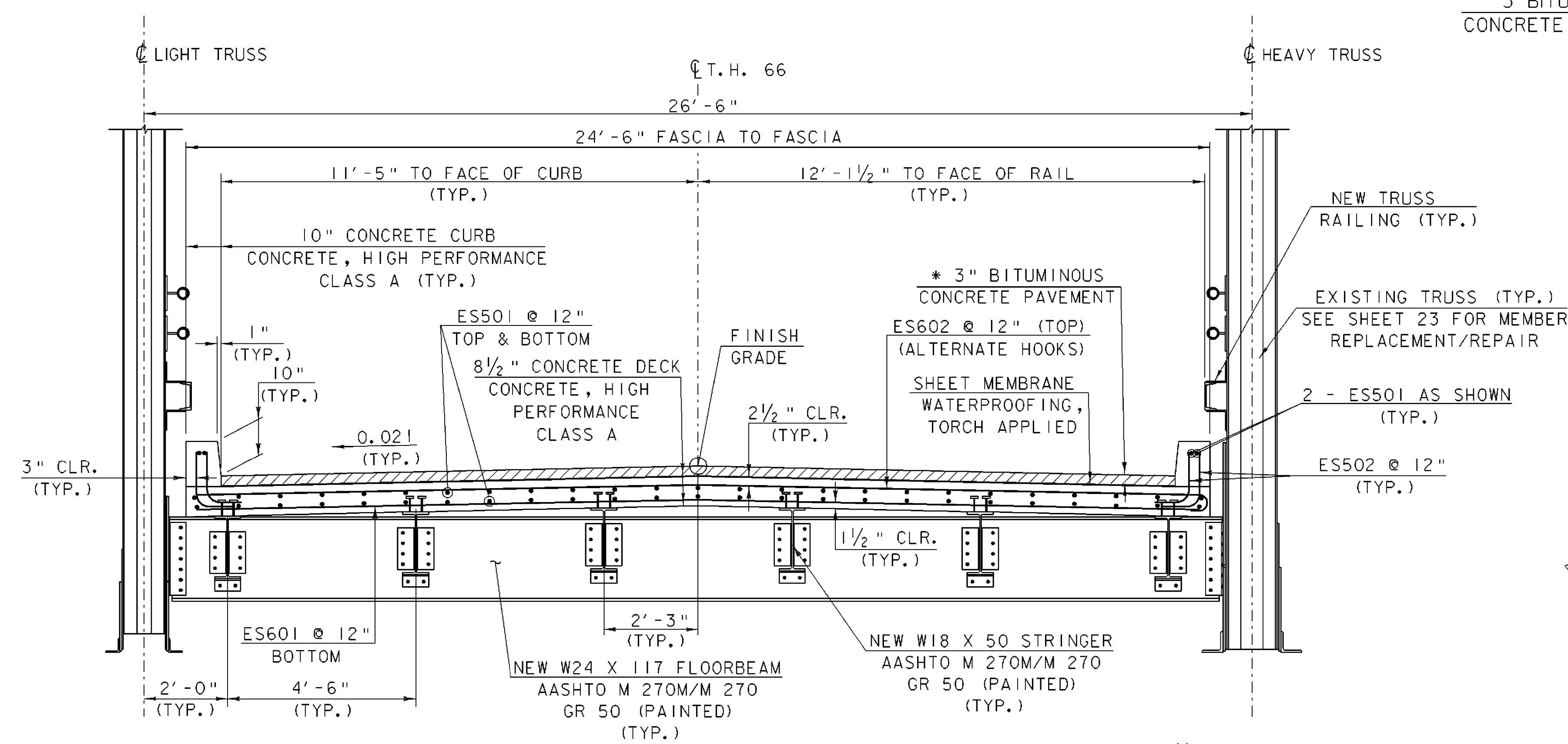
ABUTMENT NO. 2 END DETAIL

SCALE: 1" = 1'-0"



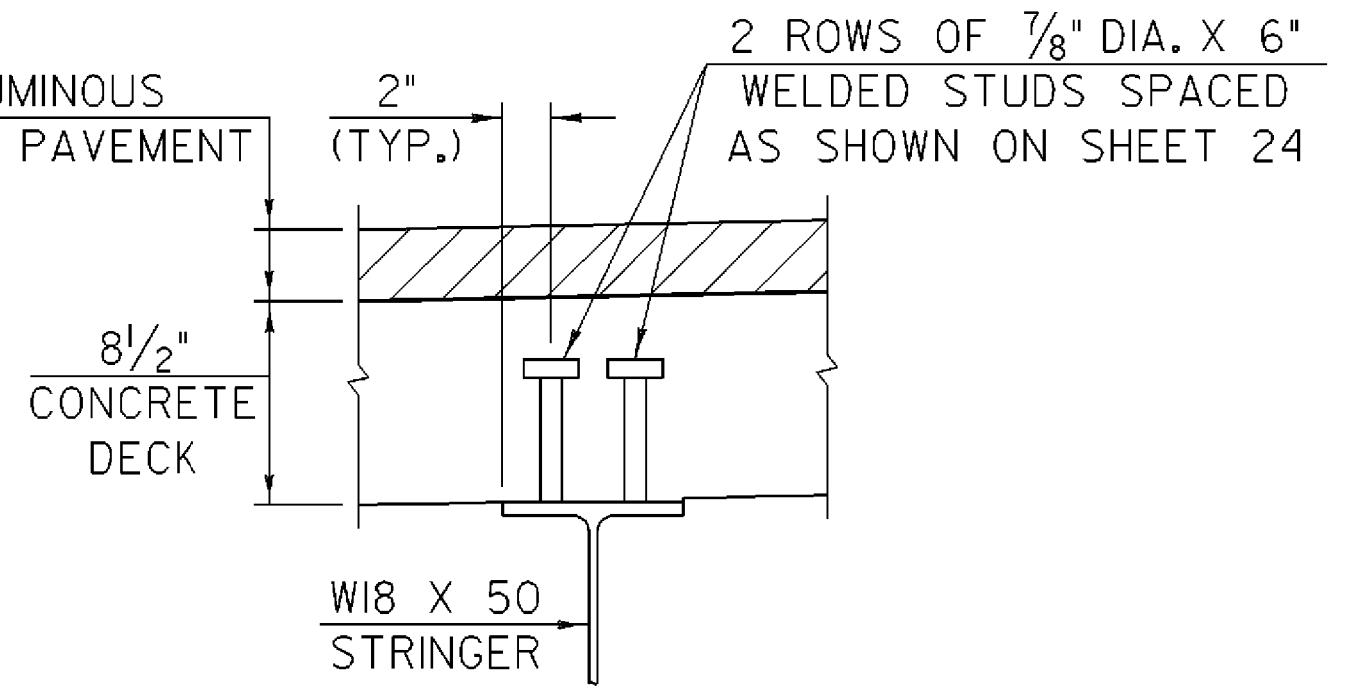
CURB END DETAIL

SCALE: 1" = 1'-0"

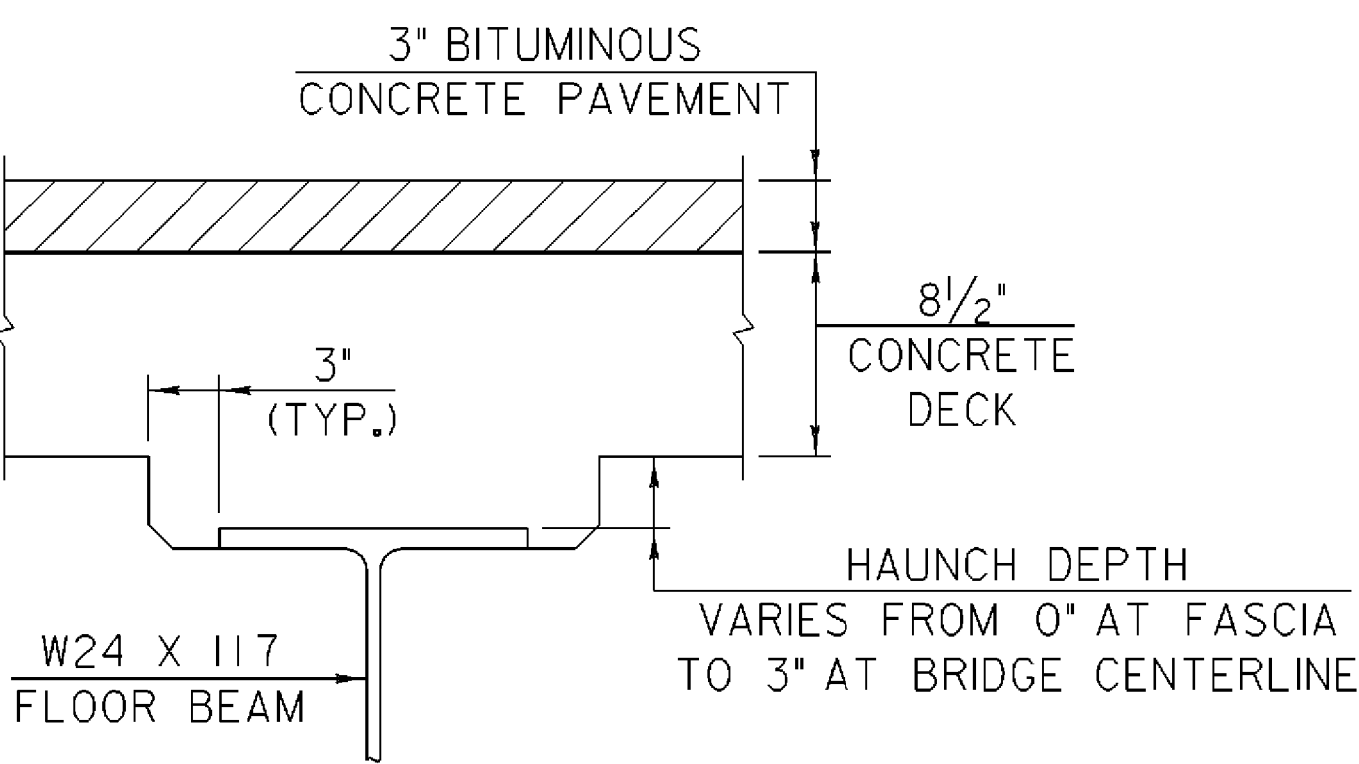


BRIDGE TYPICAL SECTION

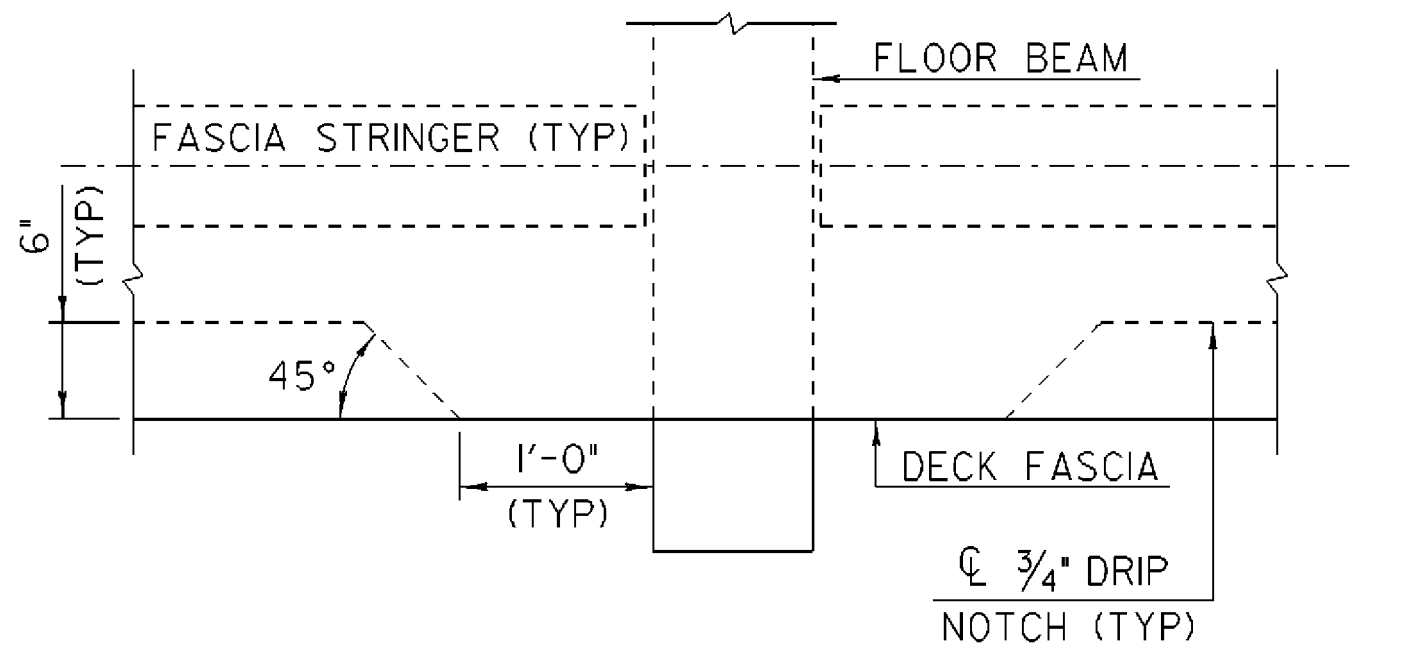
SCALE: 1/2" = 1'-0"



STRINGER HAUNCH & SHEAR CONNECTOR DETAILS



FLOOR BEAM HAUNCH DETAIL



TYPICAL DRIP NOTCH DETAIL AT FLOOR BEAMS

SCALE: 1" = 1'-0"

DECK REINFORCING PLAN & BRIDGE TYPICAL SECTION

PROJECT NAME: SPRINGFIELD	PLOT DATE: 27-DEC-2007
PROJECT NUMBER: BHO 1442(30)	DRAWN BY: J. PERRIGO
FILE NAME: 96j348/str/s96j348dck.dgn	CHECKED BY: C. CARLSON
DESIGNED BY: J. PERRIGO	SHEET 22 OF 85