

HVCTRL #1

DESIGNATION

"A98001"

** N = 283994.4600

E = 1649011.6700

ELEV. = 326.960

GENERAL LOCATION, SPRINGFIELD, VT. TO REACH FROM THE INTERSECTION OF U.S.ROUTE 5 SOUTH AND VT ROUTE 11 GO NORTHWEST ALONG VT ROUTE 11 FOR 1.5 MI (2.4 KM) TO THE SITE OF THE MARK ON THE RIGHT, ABOUT MIDWAY BETWEEN AND ON THE OPPOSITE SIDE OF THE ROAD FROM POLES 56 AND 57. THE MARK IS SET 3 CM BELOW GROUND SURFACE IN THE TOP OF A 30 CM DIAMETER CONCRETE MONUMENT POURED 1.3 M (4.3 FT) DEEP. IT IS 1.1 M (3.6 FT) NORTHEAST OF AND ABOUT LEVEL WITH THE NORTHEAST EDGE OF PAVEMENT OF VT ROUTE 11, 6.2 M (20.3 FT) SOUTHWEST OF THE CENTERLINE OF A GRAVEL RECREATIONAL PATH, AND 1.1 M (3.6 FT) SOUTHEAST OF A FIBERGLASS WITNESS POST. NOTE, MARK IS INTERVISIBLE WITH MARK A98002.

HVCTRL #2

DESIGNATION

"A98002"

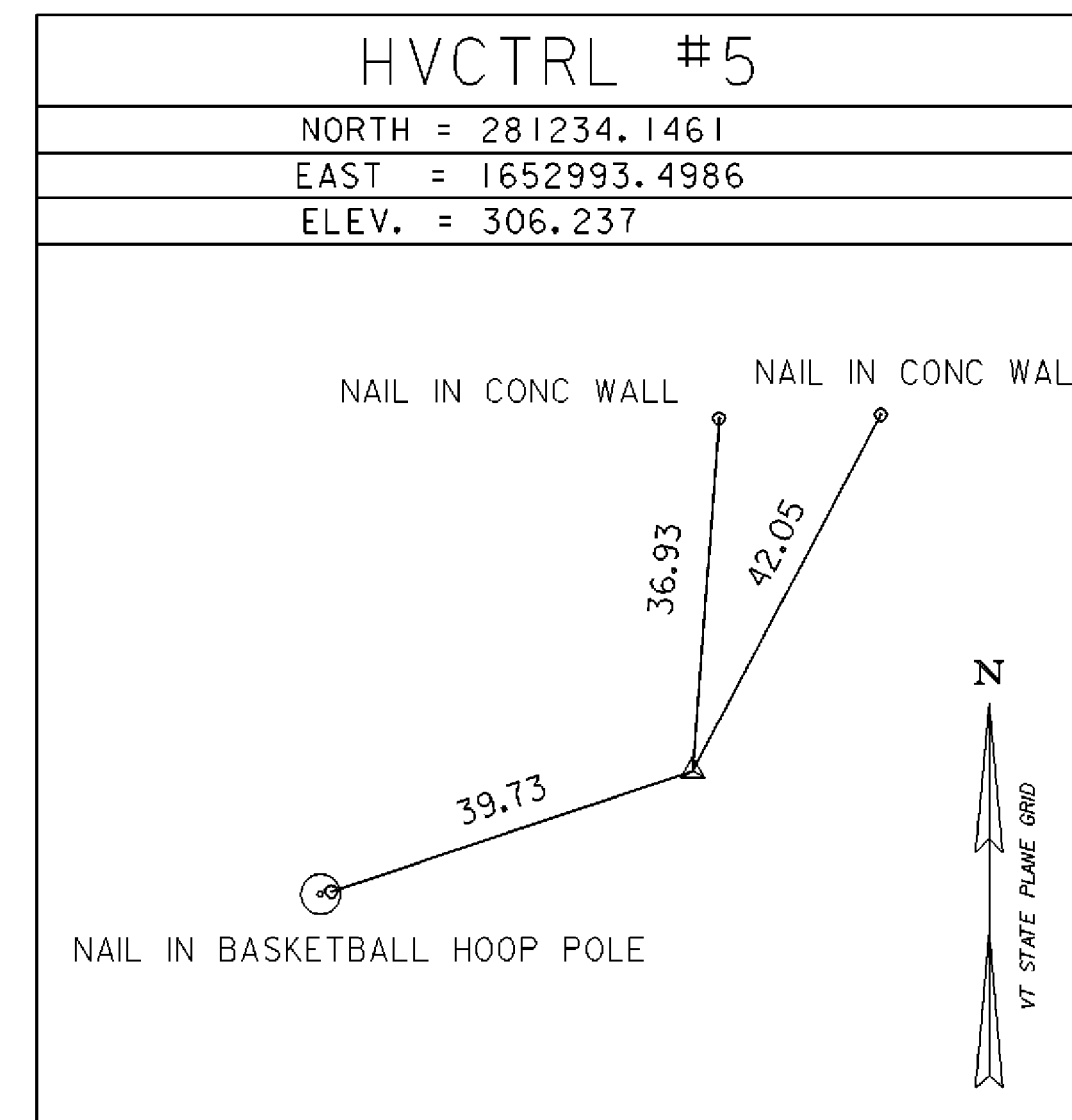
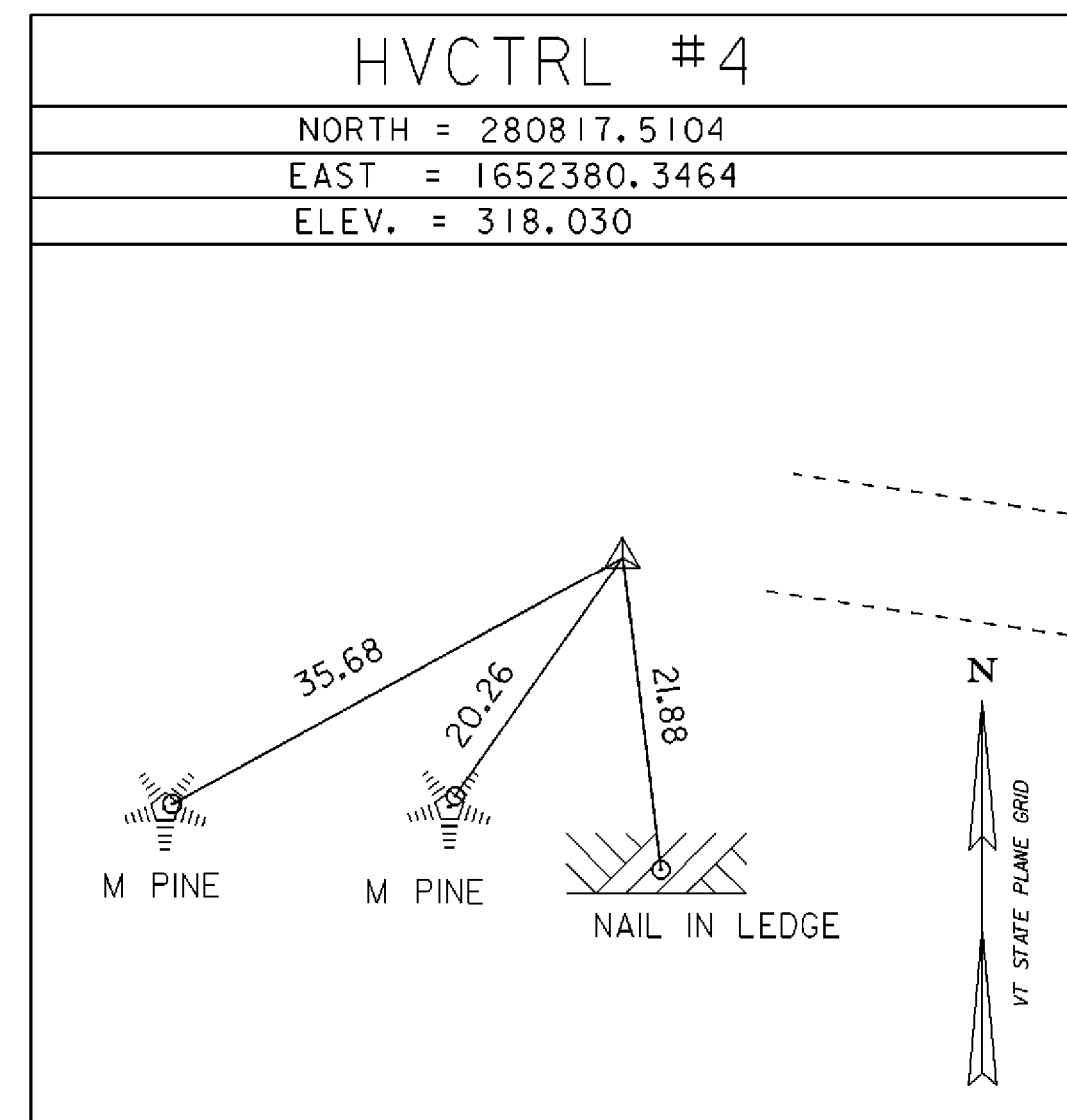
** N = 282429.0500

E = 1650496.4000

ELEV. = 344.870

GENERAL LOCATION, SPRINGFIELD, VT. TO REACH FROM THE INTERSECTION OF U.S.ROUTE 5 SOUTH AND VT ROUTE 11 GO NORTHWEST ALONG VT ROUTE 11 FOR 1.9 MI (3.1 KM) TO A SMALL CONCRETE BRIDGE OVER SEAVERS BROOK AND THE MARK ON THE LEFT IN THE TOP OF THE NORTHWEST END OF THE CONCRETE HEADWALL OF THE BRIDGE. IT IS BETWEEN THE SPRINGFIELD WASTE WATER TREATMENT FACILITY AND LAVALLEYS SPRINGFIELD BUILDING SUPPLY. TO REACH FROM THE INTERSECTION OF VT ROUTE 11, PARK STREET, AND VT ROUTE 143 IN SPRINGFIELD GO SOUTHEAST ALONG VT ROUTE 11 FOR 1.6 MI (2.6 KM) TO THE SITE OF THE MARK. THE MARK IS 4.0 M (13.1 FT) SOUTHWEST OF AND ABOUT 1.0 M (3.3 FT) LOWER THAN THE SOUTHWEST EDGE OF PAVEMENT OF VT ROUTE 11, 0.35 M (1.15 FT) SOUTHEAST OF THE NORTHWEST END OF THE HEADWALL, 0.15 M (0.49 FT) NORTHEAST OF THE SOUTHWEST FACE OF THE HEADWALL, AND 1.0 M (3.3 FT) WEST OF A FIBERGLASS WITNESS POST. NOTE, MARK IS INTERVISIBLE WITH MARK A98001.

* DESCRIPTION PROVIDED BY VERMONT AGENCY OF TRANSPORTATION GEODETIC SURVEY UNIT



* MAIN TRAVERSE COMPLETED: JAN. 21, 2005 BY R.GILMAN PC, P.WINTERS

MAINLINE POB
STA. 10+00.00
N = 280836.7990
E = 1652480.2083

MAINLINE PC
STA. 10+66.73
N = 280894.3026
E = 1652514.0646

MAINLINE PT
STA. 11+51.42
N = 280956.1614
E = 1652570.9859

MAINLINE POE
STA. 15+00.00
N = 281157.3337
E = 1652855.6518

SIDELINE PC
STA. 30+00.00
N = 280956.3517
E = 1652571.2553

SIDELINE PT
STA. 31+04.80
N = 280922.2932
E = 1652669.3247

SIDELINE POE
STA. 31+50.00
N = 280917.9252
E = 1652714.3158

CHANNEL LINE POB
STA. 50+25.00
N = 280969.7003
E = 1652785.0541

CHANNEL LINE POE
STA. 53+50.00
N = 280996.6203
E = 1652461.1709

TIE INFORMATION

DATUM	
VERTICAL	NAVD 88
HORIZONTAL	NAD 83(1986)
ADJUSTMENT	COMPASS

PROJECT NAME: SPRINGFIELD
PROJECT NUMBER: BHO 1442(30)

FILE NAME: 96j348/str/s96j348tie.dgn PLOT DATE: 27-DEC-2007
PROJECT MANAGER: R. R. WHITCOMB DRAWN BY: J. HULETT
DESIGNED BY: G. ROY CHECKED BY: P. BEYOR
s96j348tie.i SHEET 7 OF 85