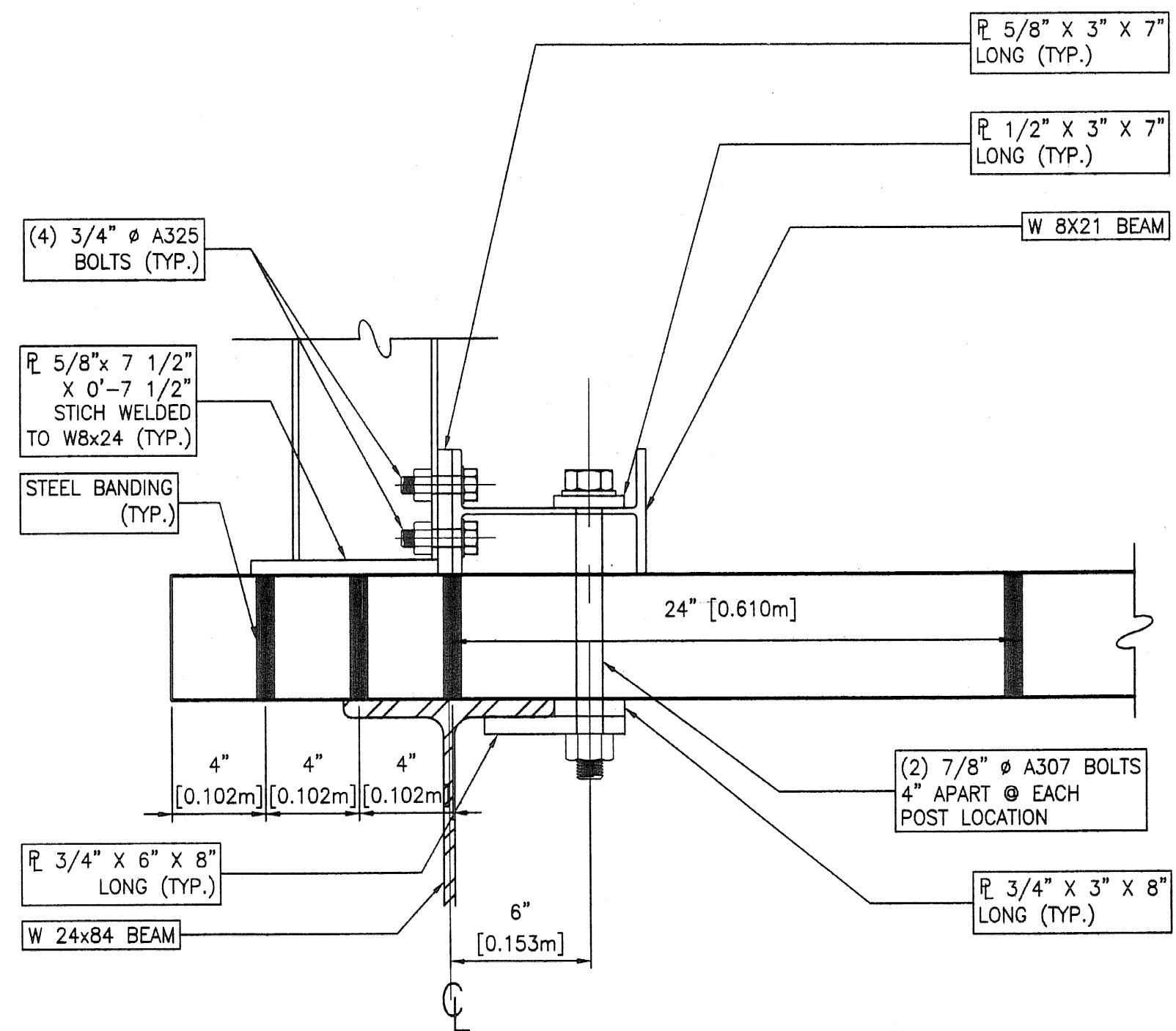
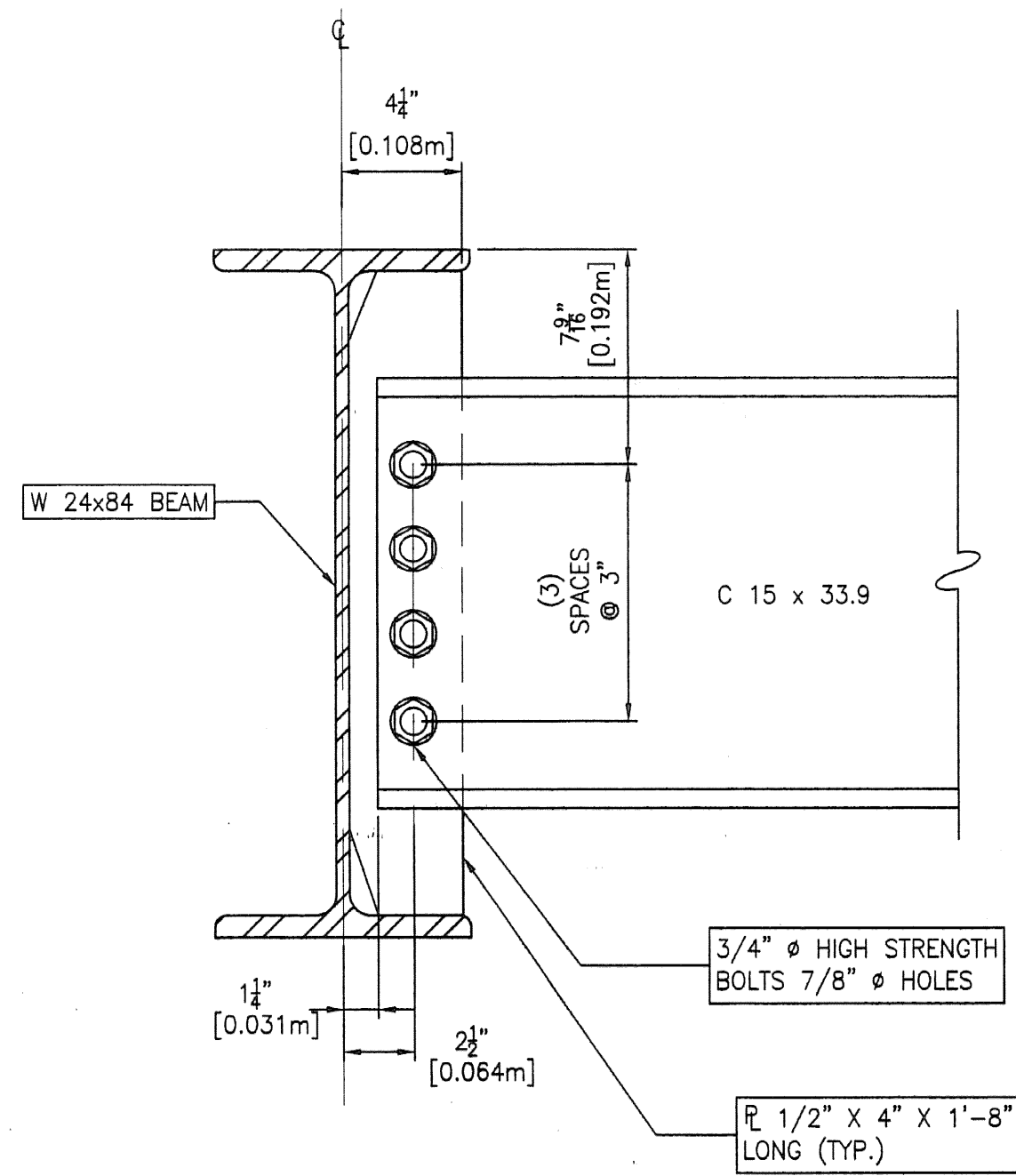


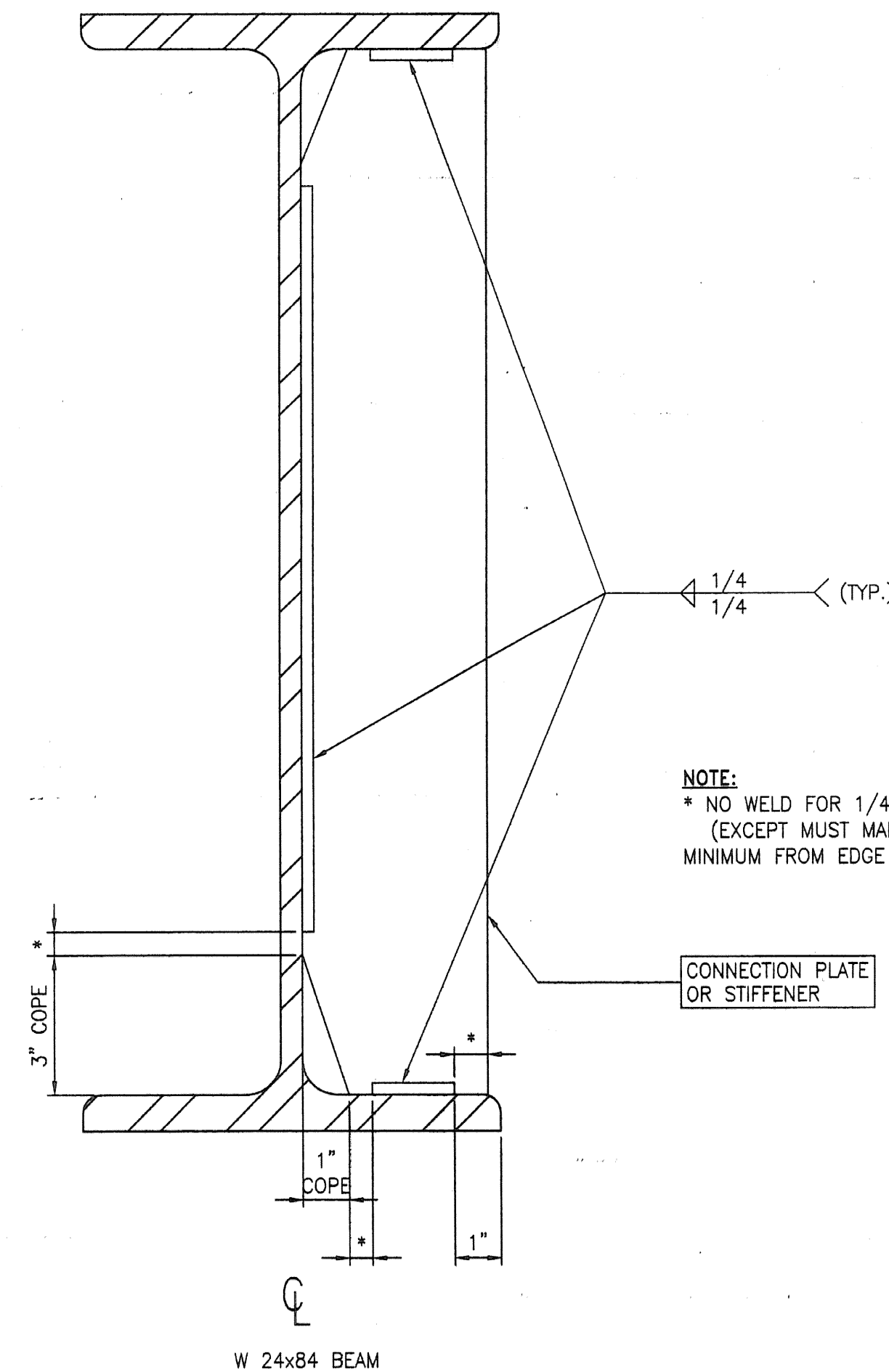
TEMPORARY BRIDGE FRAMING PLAN
SCALE 1/2" = 1'-0"



DECK / GUARDPOST CONNECTION DETAIL
SCALE 1/2" = 1'-0"



DIAPHRAGMS CONNECTION DETAIL
SCALE 1/2" = 1'-0"

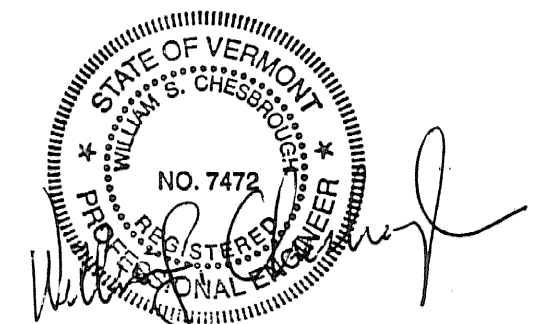


WELD TERMINATION AND COPING DETAILS FOR STEEL MEMBERS
SCALE 1/4" = 1'-0"

NOTE:
* NO WELD FOR 1/4" MIN. & 1/2" MAX. (EXCEPT MUST MAINTAIN 1" MINIMUM FROM EDGE OF FLANGE)

NOTES:

- DESIGN LOADING IS HS-20-44.
- STRUCTURAL STEEL TO BE GRADE 36 (FY = 36 KSI).
- TIMBER DECKING TO BE SPRUCE-PINE FIR NO. 2 (SPF 2) GRADE OR HIGHER.



THE DRAWINGS FOR THIS PROJECT SHALL NOT BE COPIED, REUSED, REVISED OR ALTERED IN ANY WAY WITHOUT THE EXPRESS WRITTEN APPROVAL AND AUTHORITY OF CHESBROUGH CONSULTING, P.C. © CHESBROUGH CONSULTING, P.C.

CHESBROUGH CONSULTING, P.C. P.O. BOX 8622 Burlington, Vermont 05402 Tel: (802) 658-7800 Fax: (802) 658-7613 ccandco@verizon.net		05-15-08 DESIGN NOTE ADDITION REVISIONS	DRAWN BY: GEW CHECKED BY: WSC PROJECT NO: 081301 DATE: APRIL 17, 2008 SHEET: 3 OF 3
PROJECT NAME: PROPOSED IMPROVEMENT TEMPORARY BRIDGE PROJECT CABOT, VERMONT			TITLE: FRAMING PLAN BEAM, DIAPHRAGMS AND DECK/GUARDPOST CONNECTION DETAILS