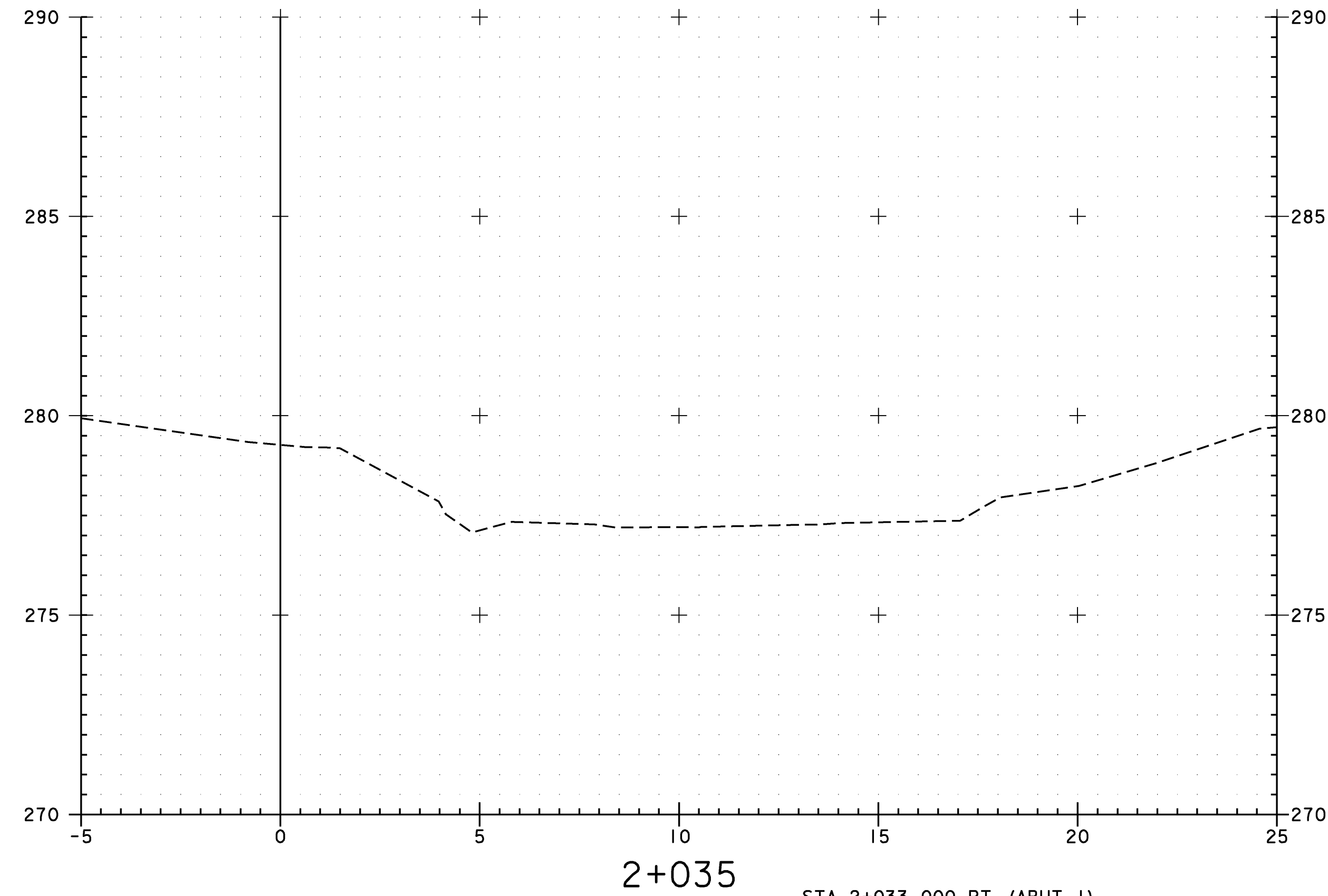
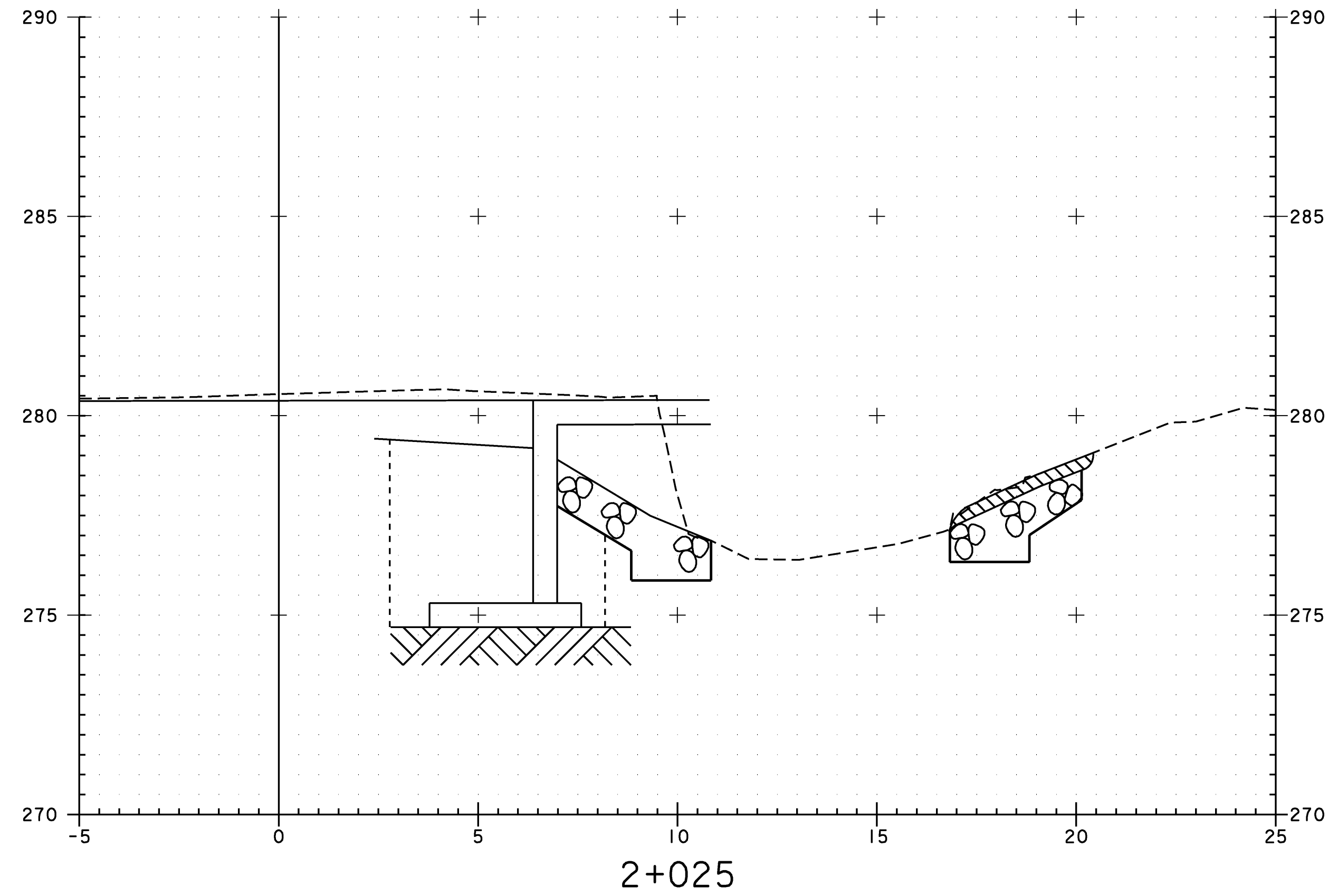
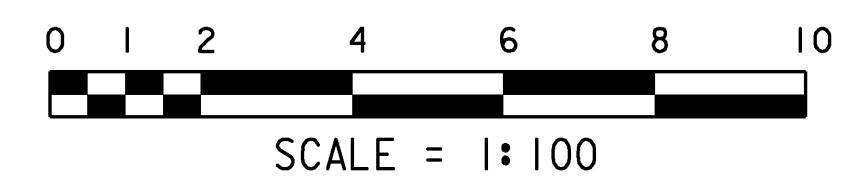
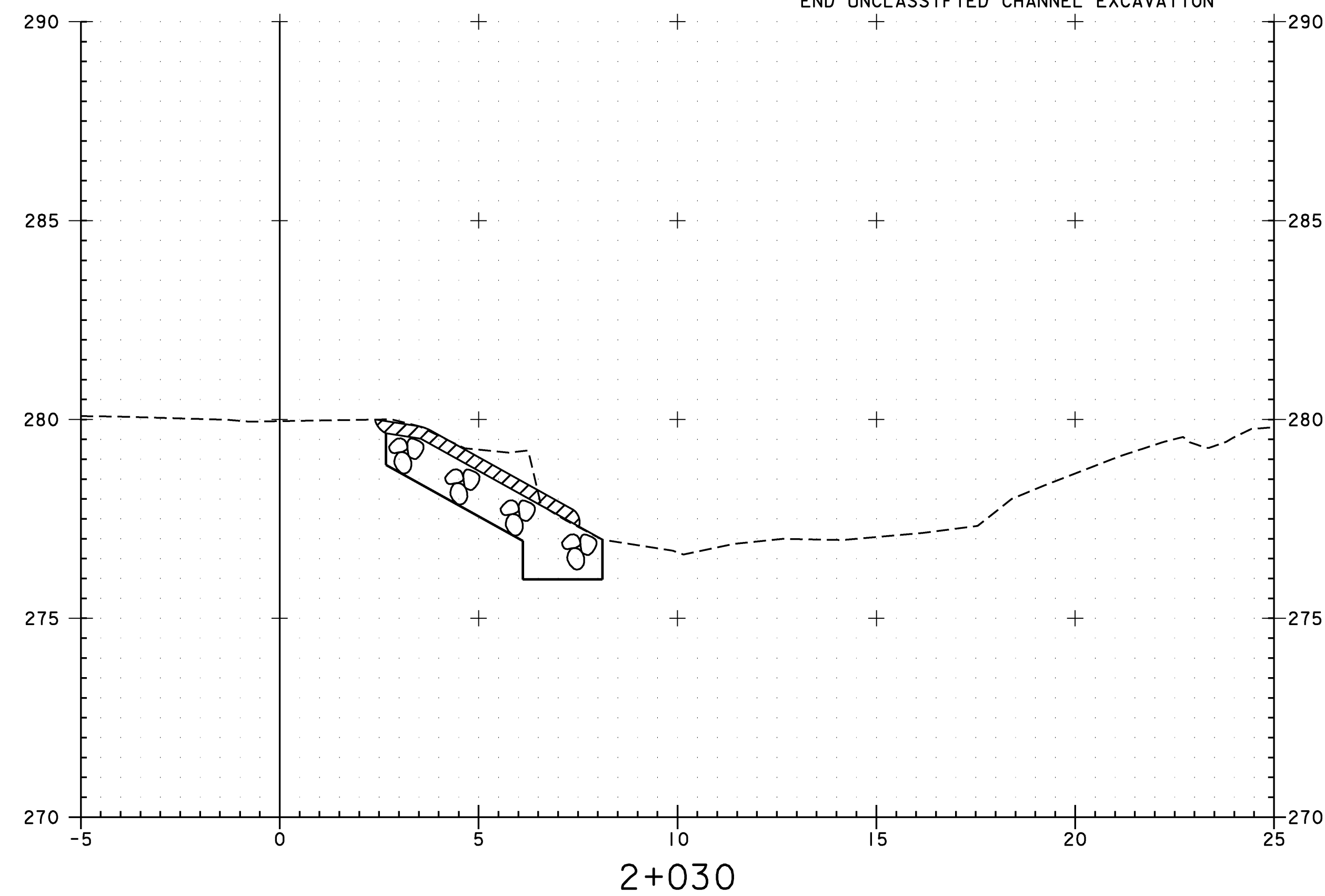
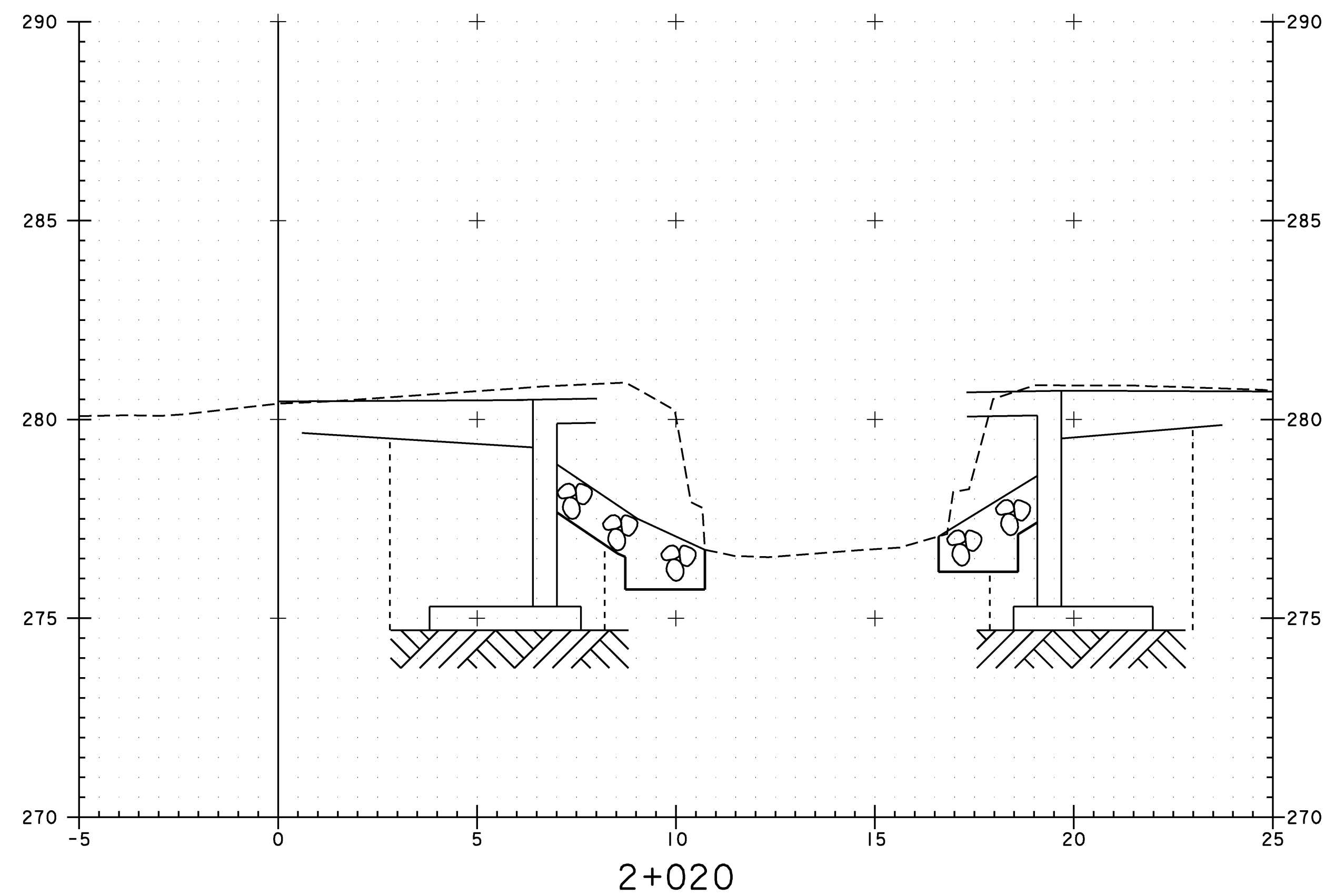


STA 2+026.000 RT (ABUT 2)  
 END STONE FILL TYPE III  
 END GEOTEXTILE UNDER STONE FILL  
 END GRUBBING MATERIAL  
 END UNCLASSIFIED CHANNEL EXCAVATION



STA 2+033.000 RT (ABUT 1)  
 END STONE FILL TYPE III  
 END GEOTEXTILE UNDER STONE FILL  
 END GRUBBING MATERIAL  
 END UNCLASSIFIED CHANNEL EXCAVATION



PROJECT: CABOT	PROJECT NO.: BRO 1446 (27)
DESIGN FILE NAME: 96j270/structures/sj270xsl.dgn	PLOT DATE: 07-DEC-2007
IPARM FILE NAME: sj270ch2.i	
CHANNEL CROSS SECTIONS	
SECTION 2+020THROUGH 2+035	SHEET: 41 OF 42