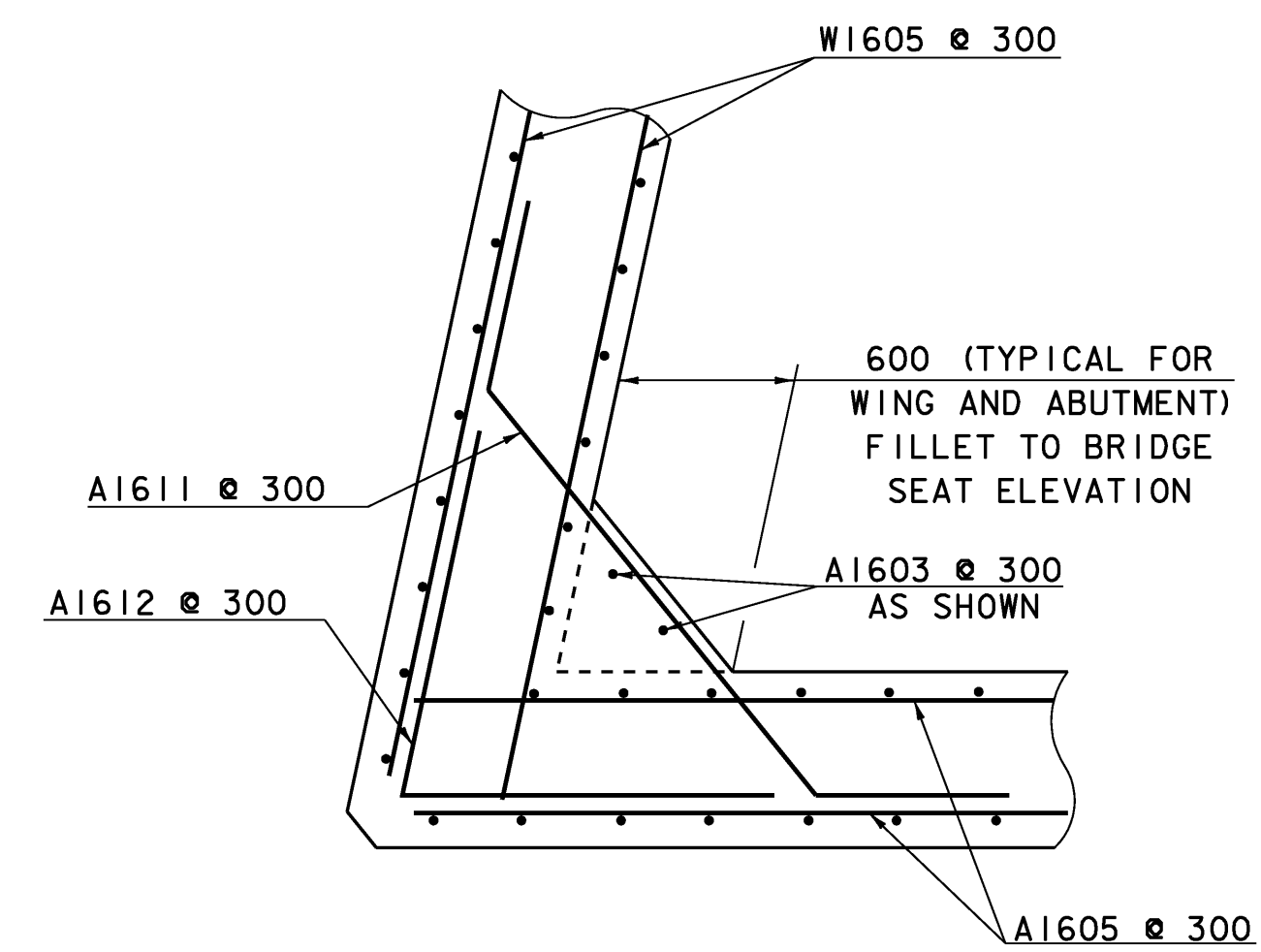
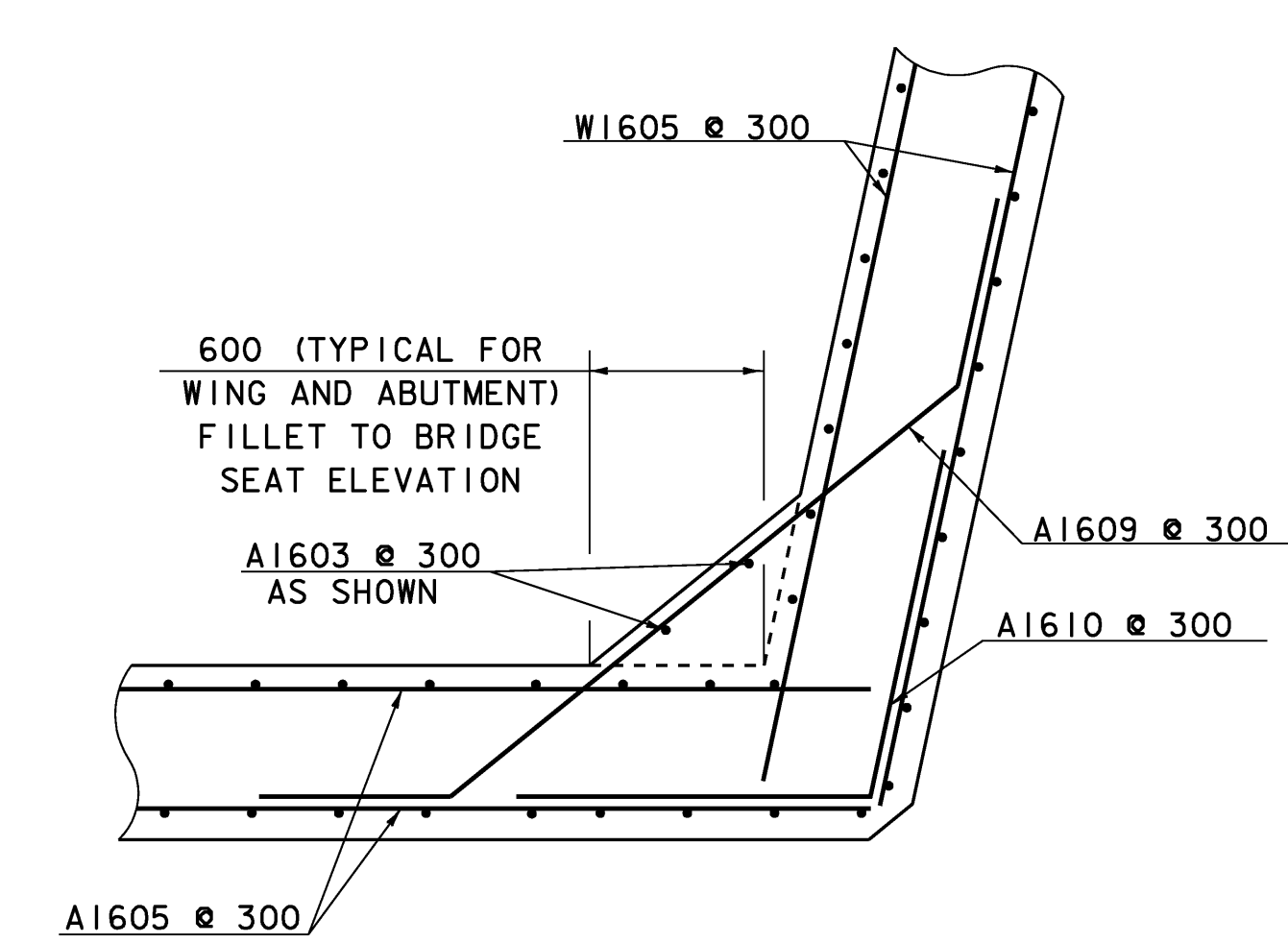


ABUTMENT NO. 1 FOOTING REINFORCING PLAN

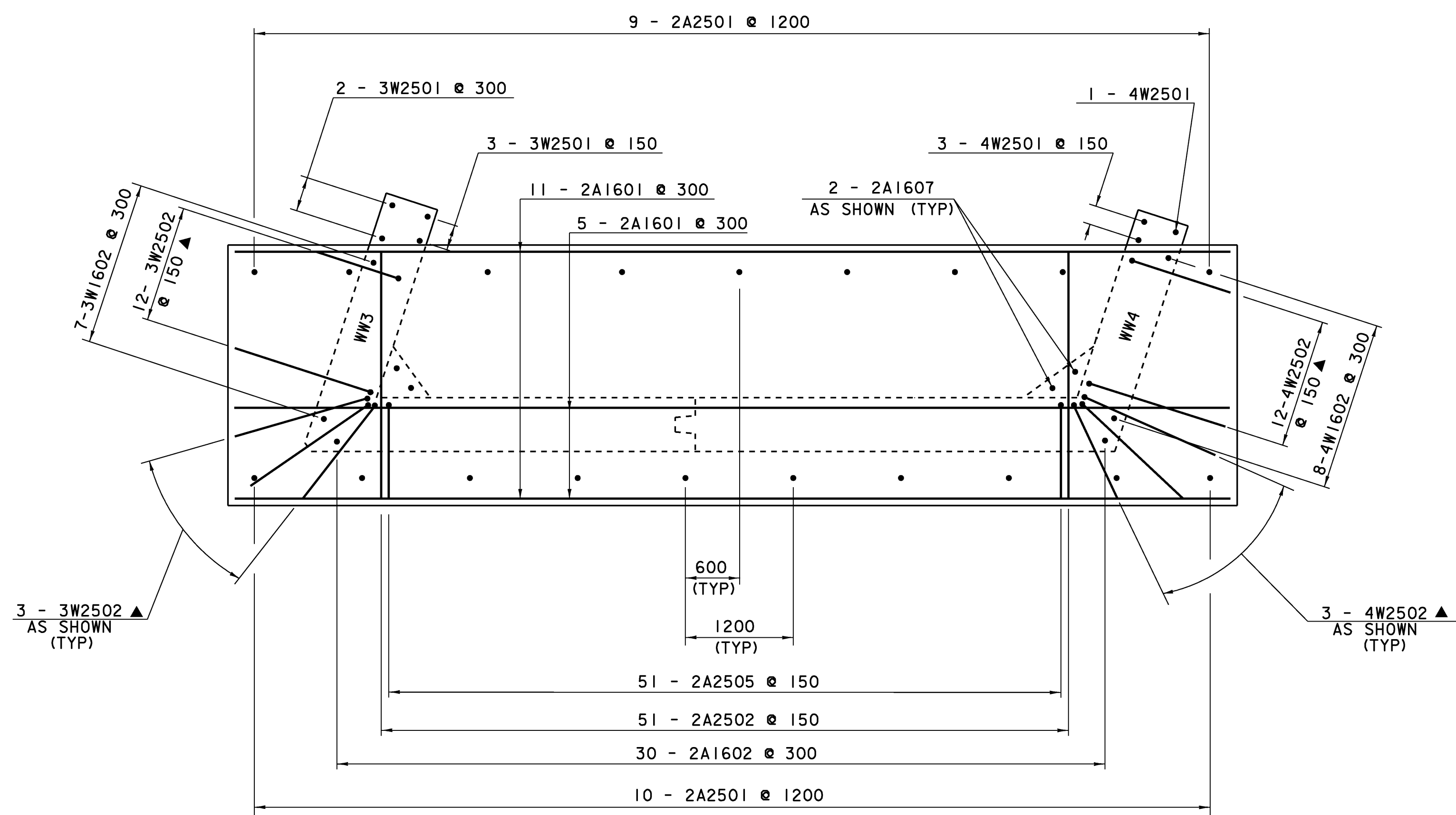
SCALE 1:40



**WINGWALL 2
(WW3 SIMILAR)
CORNER DETAIL
BELOW BRIDGE SEAT**
nts

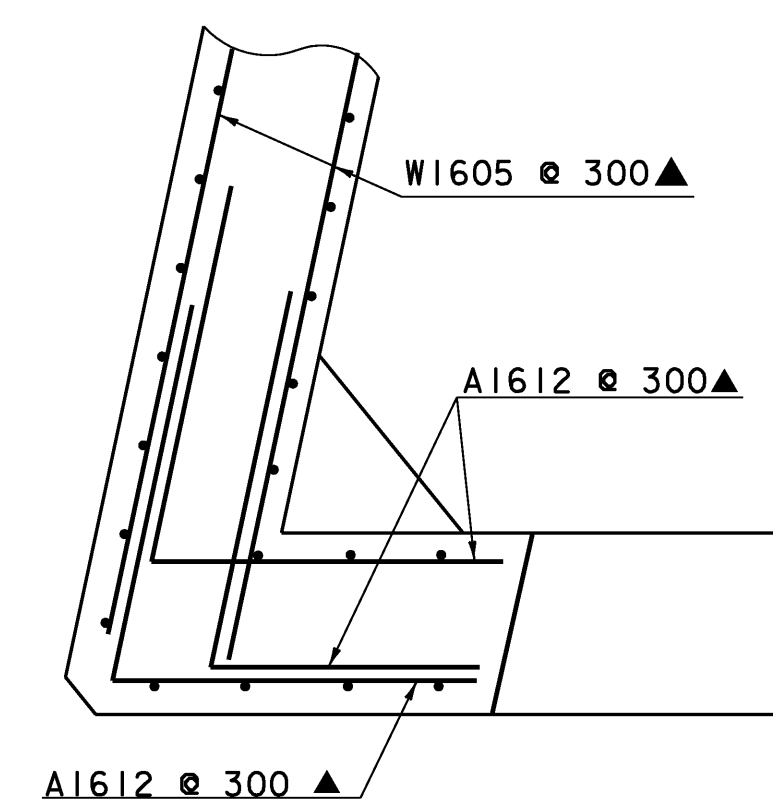


**WINGWALL 1
(WW4 SIMILAR)
CORNER DETAIL
BELOW BRIDGE SEAT**
nts

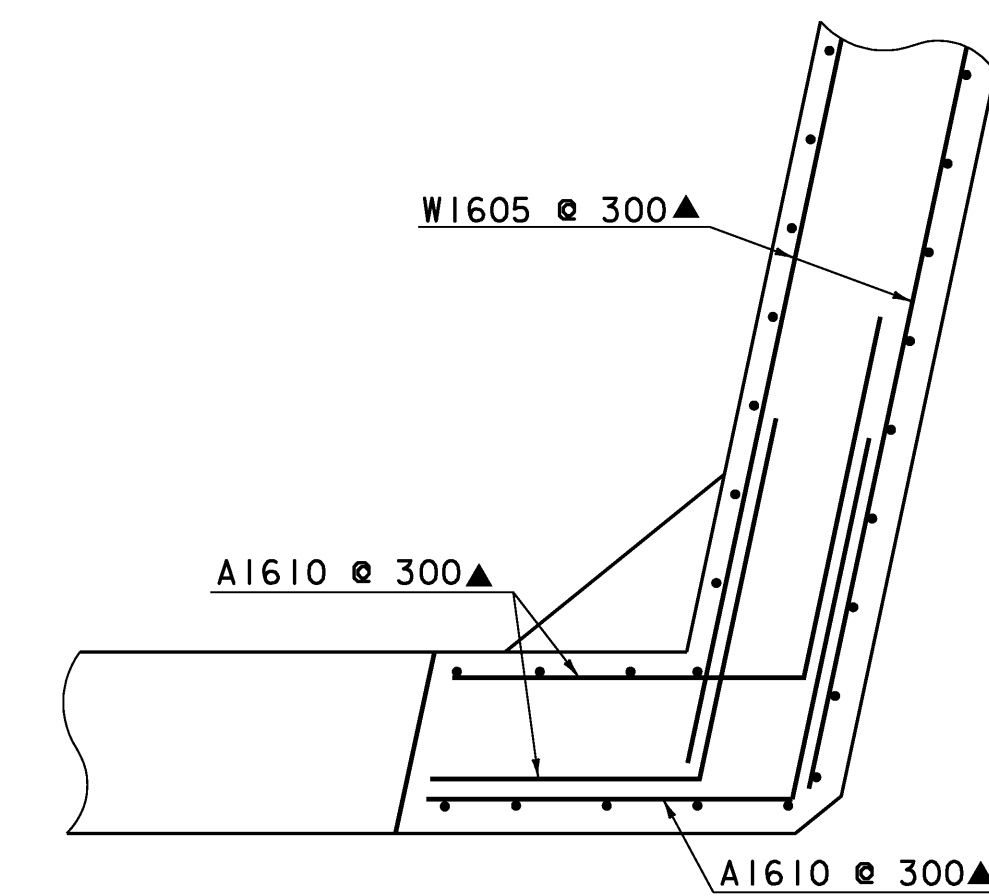


ABUTMENT NO. 2 FOOTING REINFORCING PLAN

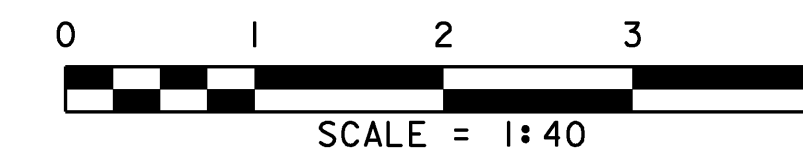
SCALE 1:40



**WINGWALL 2
(WW3 SIMILAR)
CORNER DETAIL
ABOVE BRIDGE SEAT**
nts



**WINGWALL 1
(WW4 SIMILAR)
CORNER DETAIL
ABOVE BRIDGE SEAT**
nts



NOTES:

- NF = NEAR FACE
- FF = FAR FACE
- EF = EACH FACE
- ▲ = CUT TO FIT IN FIELD
- 80mm CLEAR UNLESS OTHERWISE SPECIFIED ON THE PLANS.
- ALL LAP SPLICES NOT DETAILED SHALL BE 660mm

PROJECT: CABOT	PROJECT NO.: BRO 1446 (27)
DESIGN FILE NAME: /96j270/structures/sj270sub.dgn	PLOT DATE: 07-DEC-2007
IPARM FILE NAME: sj270ftg.i	DRAWN BY: L.C.ASHWORTH
DESIGNED BY: J. B. HUSSEY	CHECKED BY: K.M.HIGGINS
SQUAD LEADER: C.P.WILLIAMS	SHEET: 24 OF 42
FOOTING AND CORNER DETAILS	