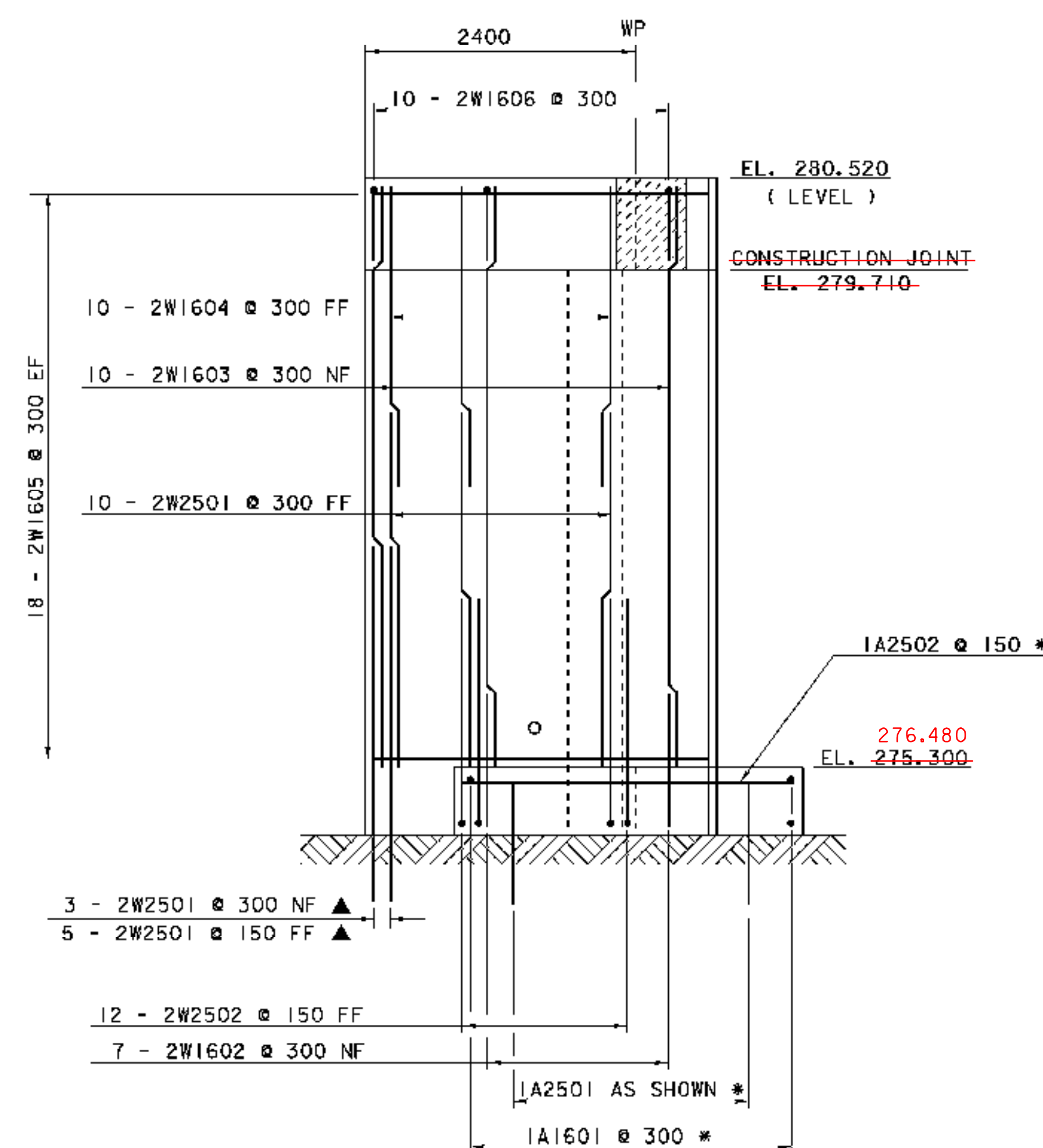


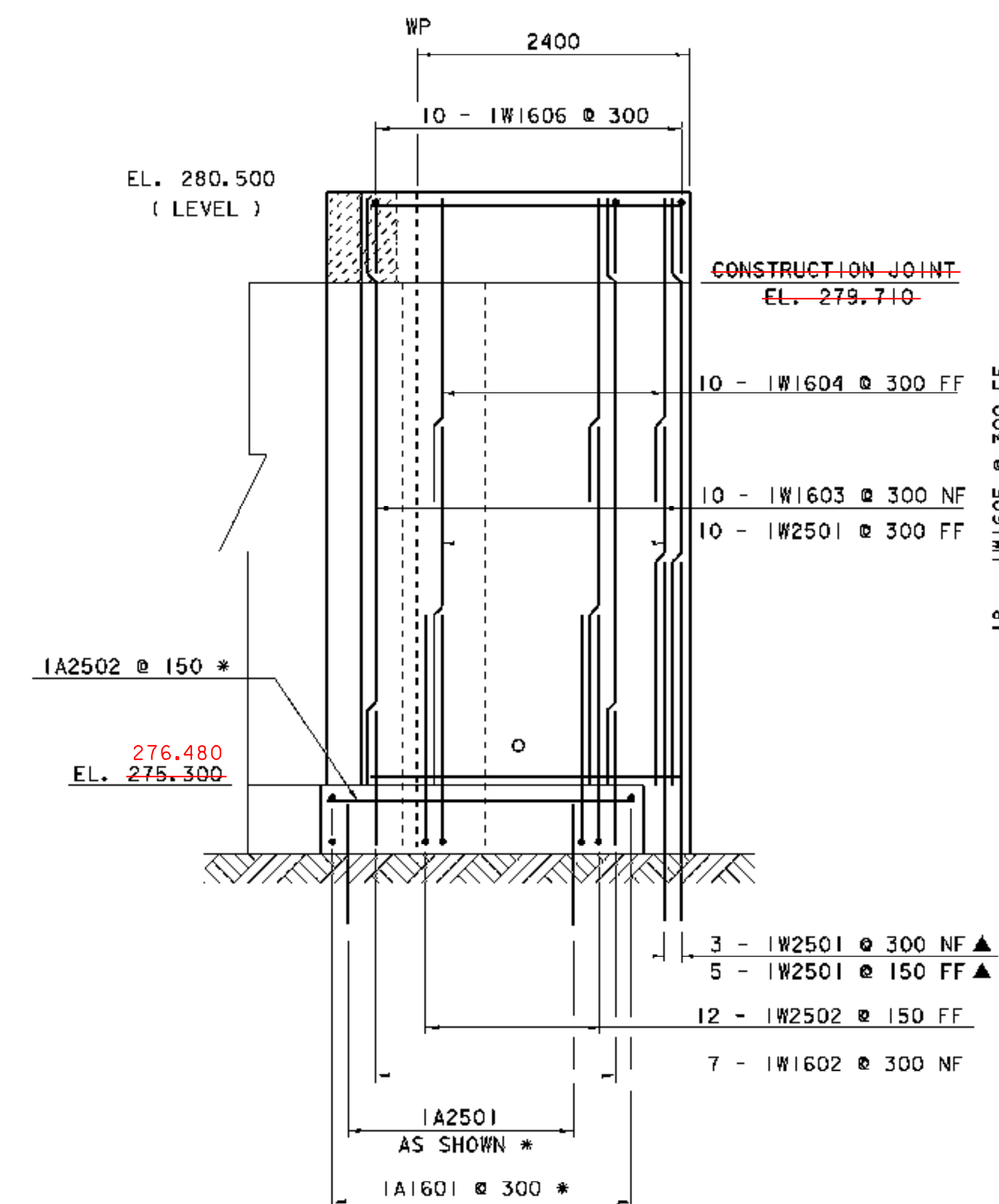
WINGWALL TYPICAL SECTION

SCALE 1:20



WINGWALL #2 ELEVATION

SCALE 1:40



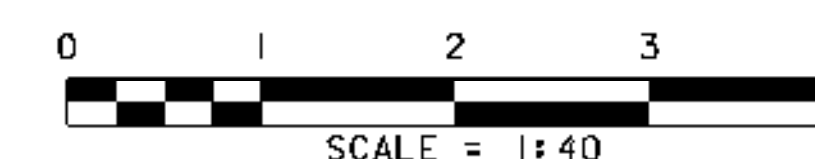
WINGWALL #1 ELEVATION

SCALE 1:40

* SEE FOOTING REINFORCING PLAN ON SHEET 24 FOR LAYOUT

NOTES:

- NF = NEAR FACE
- FF = FAR FACE
- EF = EACH FACE
- ▲ = CUT TO FIT IN FIELD
- 80mm CLEAR UNLESS OTHERWISE SPECIFIED ON THE PLANS.
- ALL LAP SPLICES NOT DETAILED SHALL BE 660mm



PROJECT: CABOT	PROJECT NO.: BRO 1446 (27)
DESIGN FILE NAME: /96j270/structures/sh270sub.dgn	PLOT DATE: 07-DEC-2007
IPARM FILE NAME: sj270ww1.1	DRAWN BY: L. C. ASHWORTH
DESIGNED BY: J. B. HUSSEY	CHECKED BY: K. M. HIGGINS
SQUAD LEADER: C. P. WILLIAMS	SHEET: 22 OF 42
WINGWALL DETAIL SHEET #1	