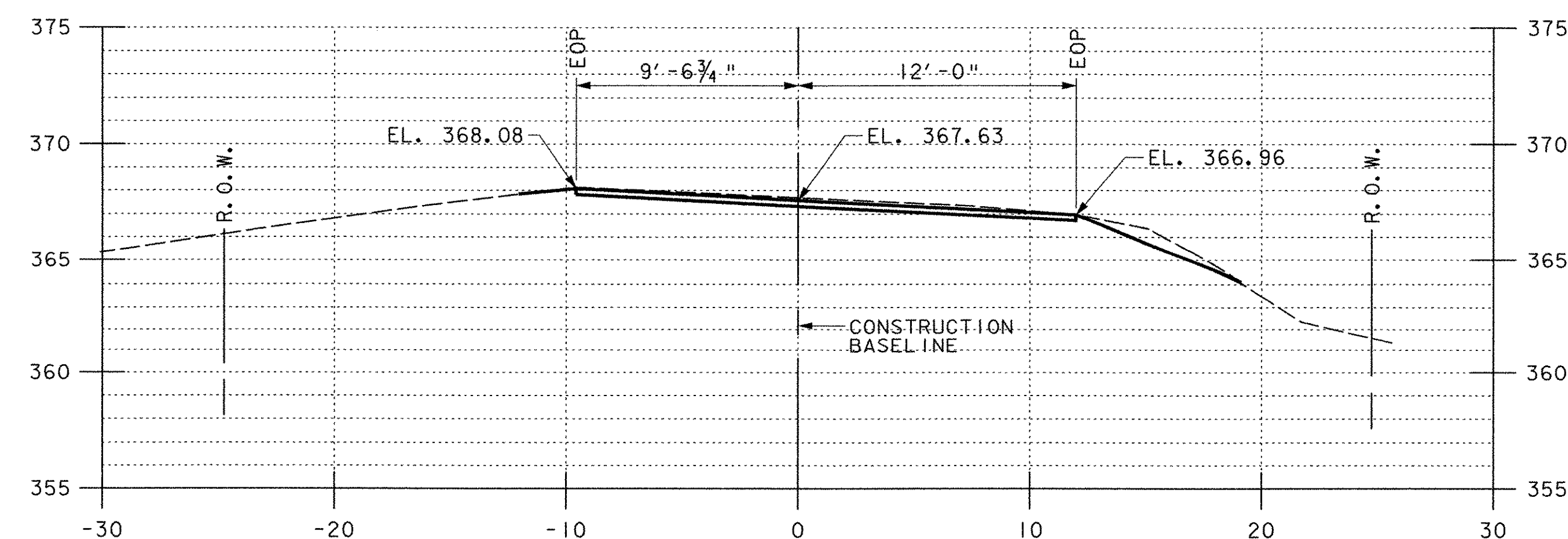
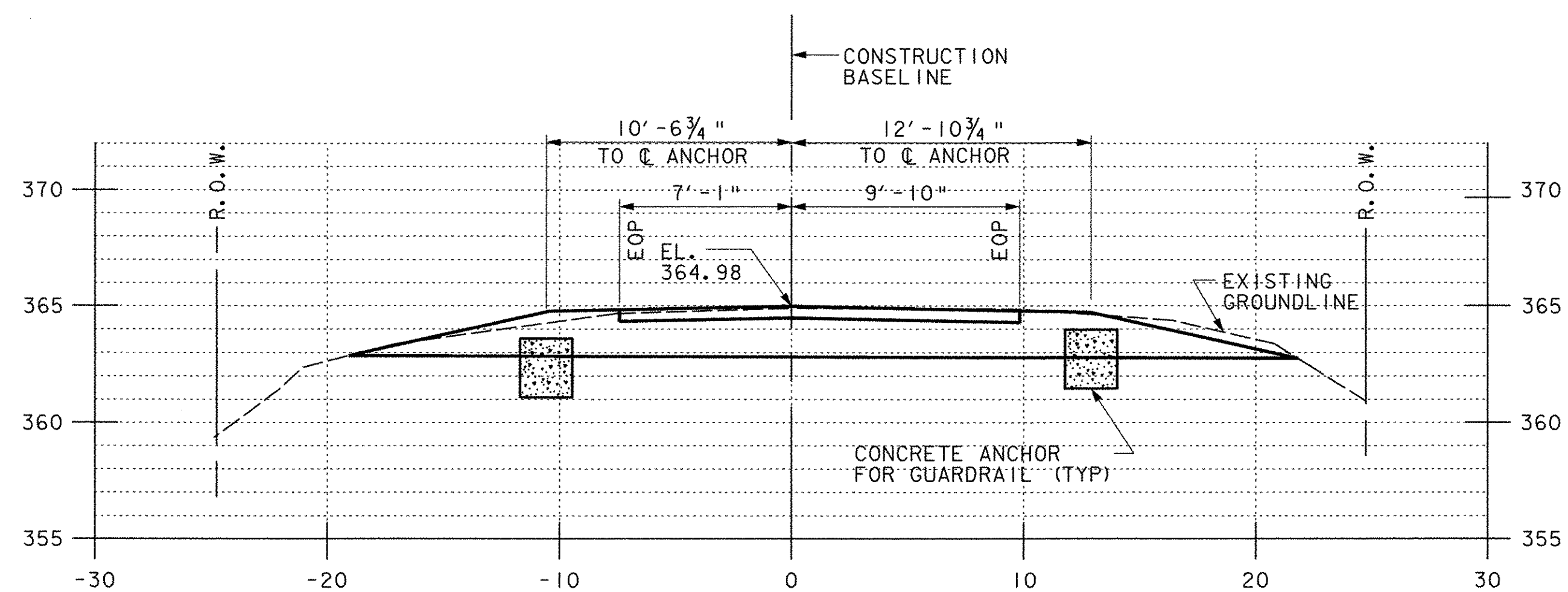


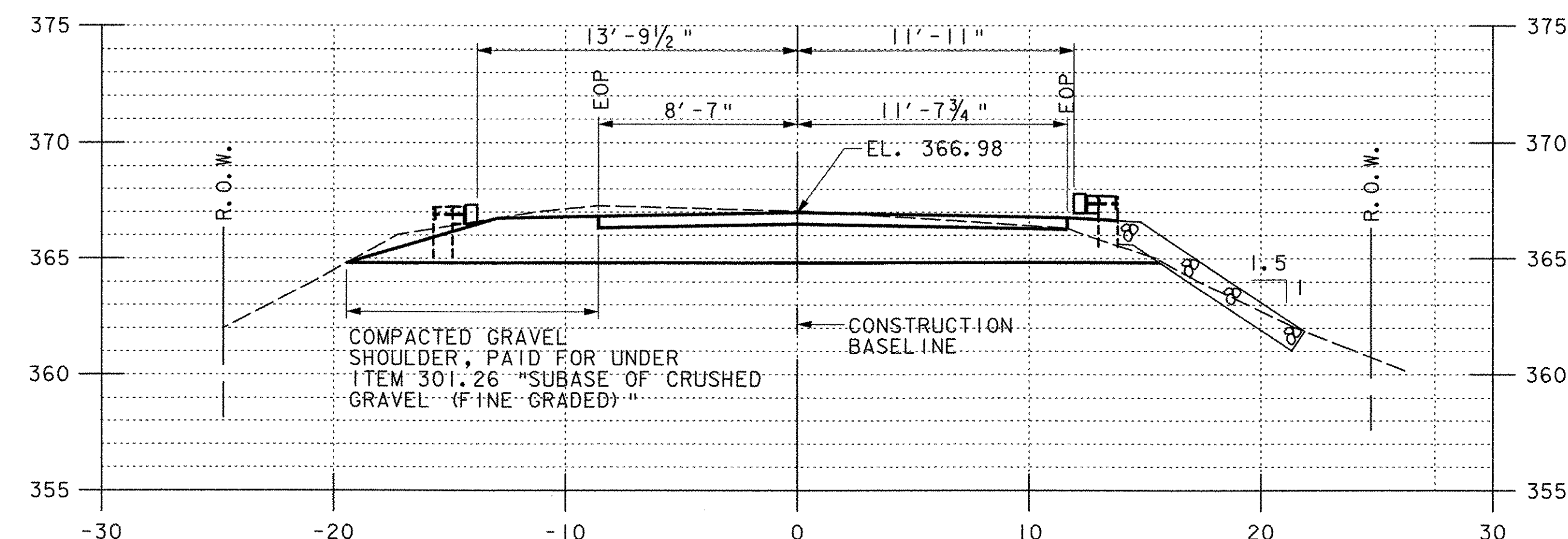
STA. 9+50



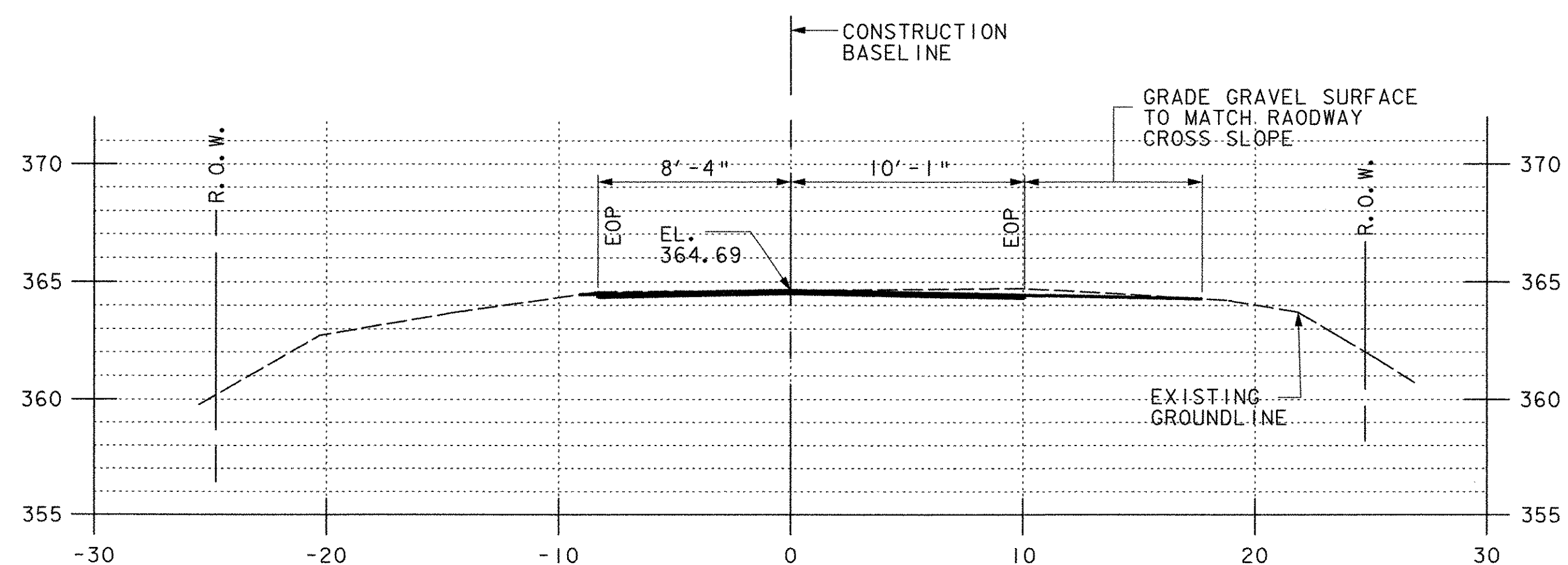
STA. 10+75



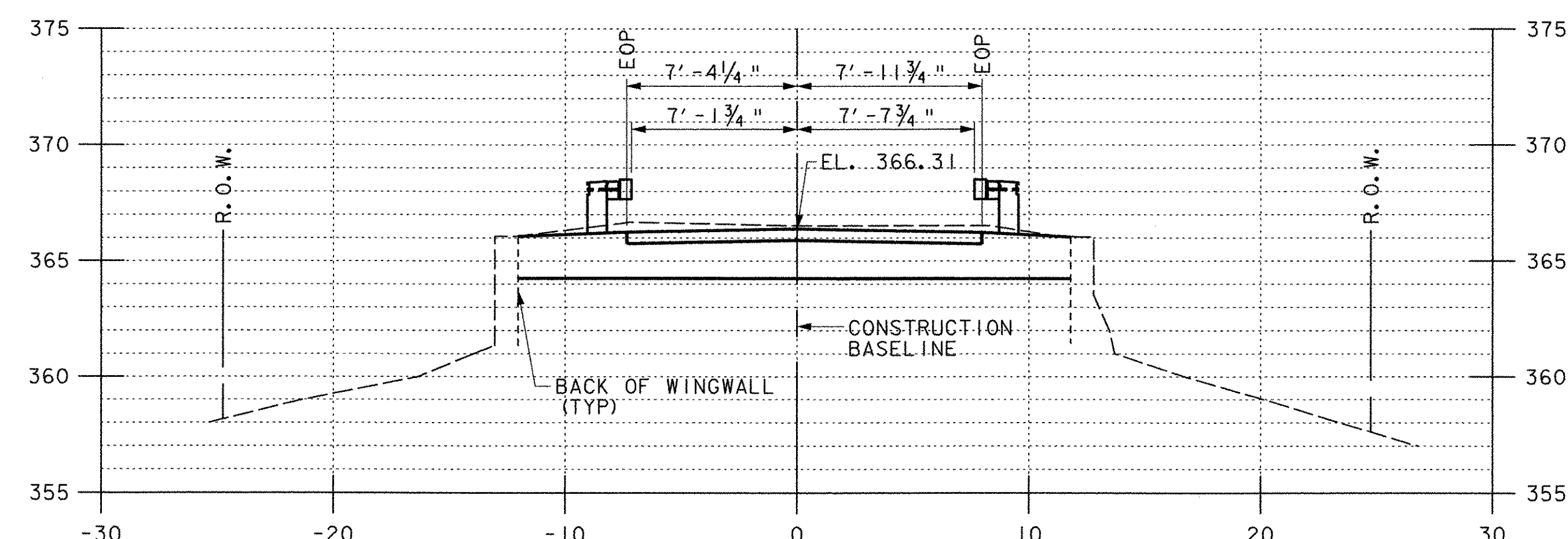
STA. 9+30



STA. 10+50



STA. 9+00



STA. 10+25

SECTION AT STATION 10+25 IS TYPICAL  
AT ALL AREAS WITH WINGWALLS  
STA. 9+60 TO 9+67.65  
STA. 10+20.07 TO 10+28

<b>STATE OF VERMONT AGENCY OF TRANSPORTATION</b>		
Town Of	PITTSFORD, VT	Bridge No. 31
Highway No.	ELM STREET (TH3)	Log Sta.
		Surv. Sta.
COOLEY COVERED BRIDGE REHABILITATION		
Designed By	J. MESSIER	Drawn By
Checked By	E. ALLEN RANDALL	Bridge Design Supervisor
	Date 01/03/03	Date
PROJECT	PITTSFORD	PROJECT NO. BHO 1443 (36)
I.G.C. Info.		
Bridge Sheet No.		Sheet 14 of 15



03 JAN 2003 10:20:14 Cooley Bridge.dwg (c:\cooley.dwg)