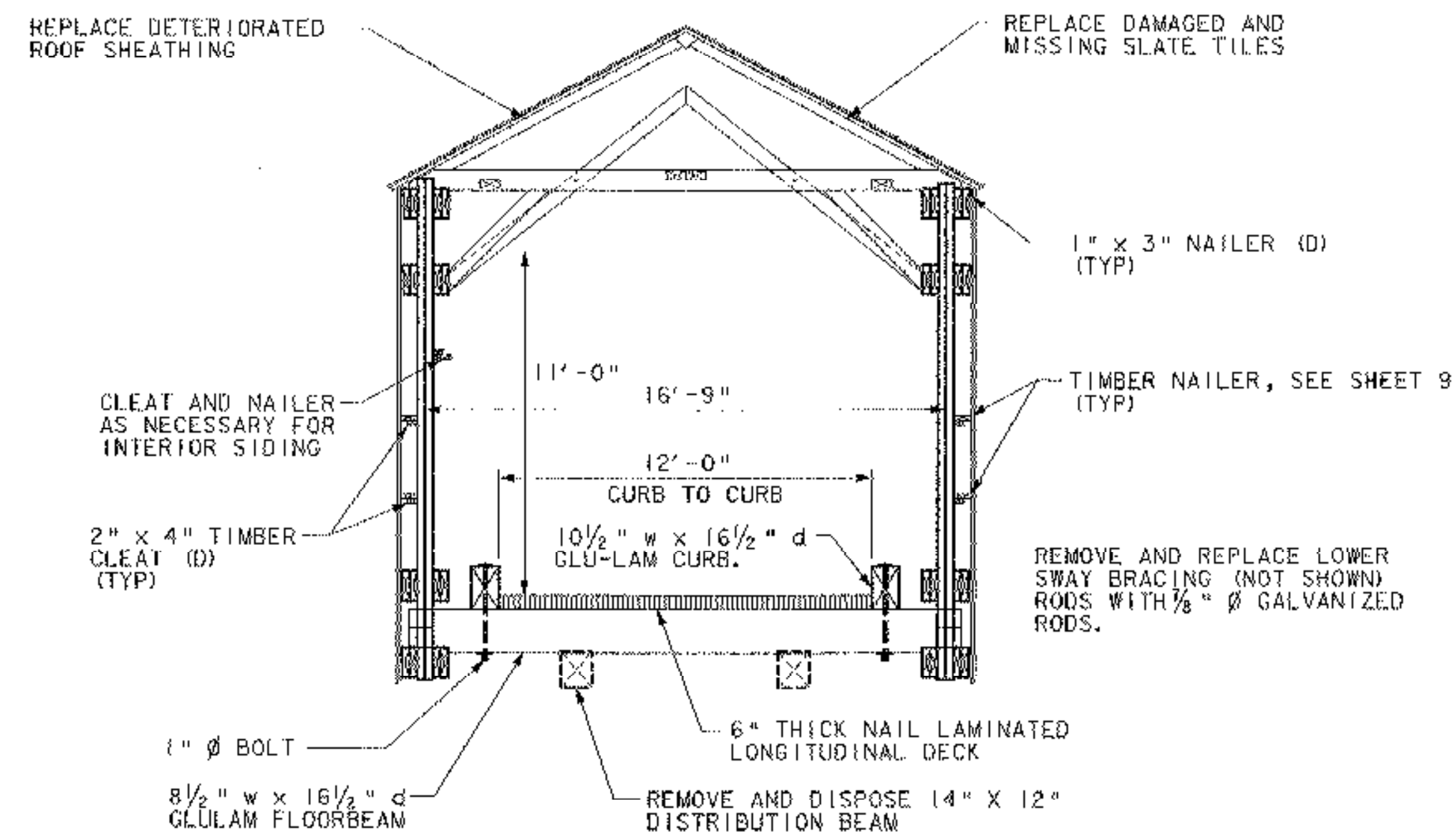


PLAN VIEW
SCALE: 1" = 10'



PROPOSED CROSS SECTION
SCALE: 1/4" = 1'-0"

FS = FULL SAWN
RS = ROUGH SAWN
D = DRESSED
LAMINATED TIMBER DECK: ACTUAL THICKNESS 5 1/2"
INDIVIDUAL LAMINATES 1 1/2" THICK, PRESSURE TREATED
FLOORBEAM AND CURB PRESERVATIVE TREATMENT MADE AFTER NOTCHES AND HOLES ARE CUT.

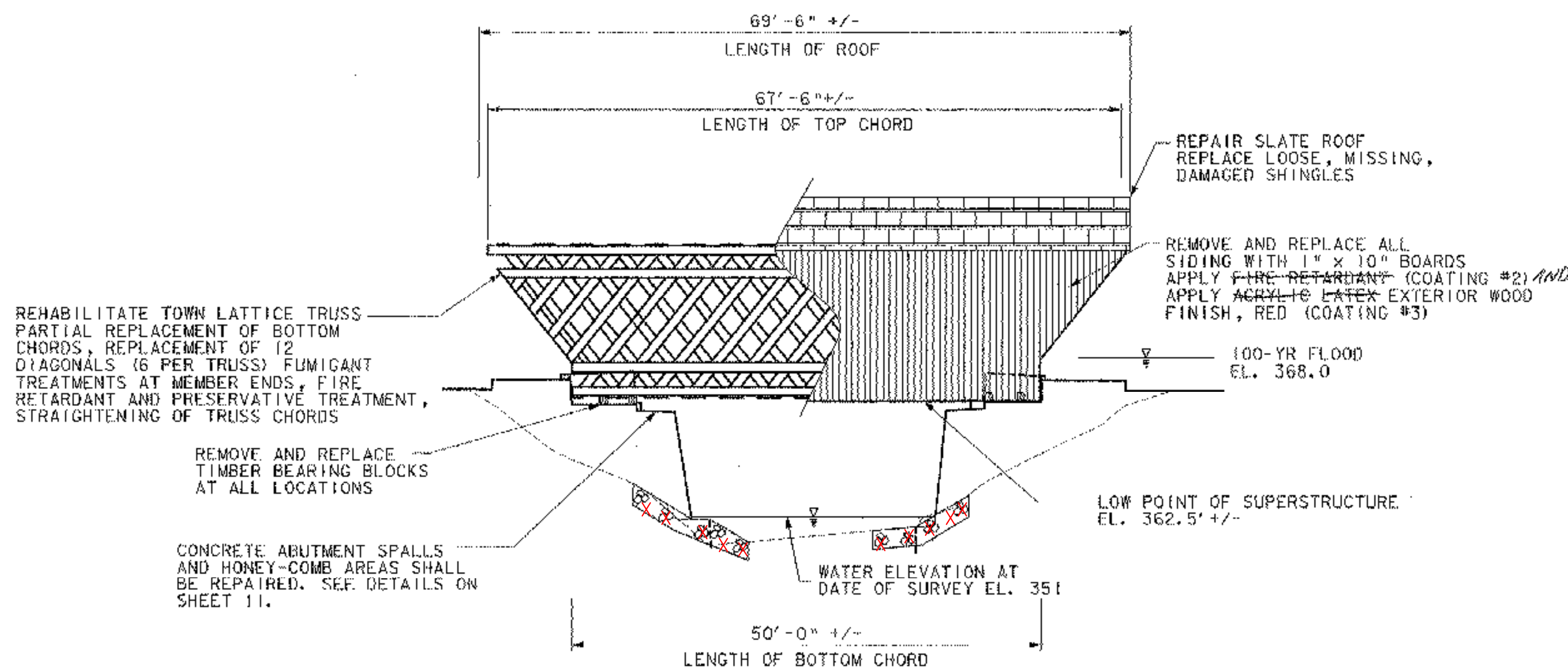
TIMBER AND LUMBER SCHEDULE

MEMBER	TYPE	SIZE	MATERIAL	STRUCTURAL GRADE	TREATMENT	PAY ITEM
CURB	GLULAM	10 1/2" w x 16 1/2" d	VISUALLY GRADED SOUTHERN PINE	24F-V3	PRESSURE TREATED	522.40 STRUCTURAL GLUED LAMINATED TIMBER
CURB (AT BACKWALL)	SAWN TIMBER	11" x 11" (FS)	SOUTHERN PINE	NO. 1	PRESSURE TREATED	522.35 NONSTRUCTURAL LUMBER - TREATED (CURB AT BACKWALL)
DECK	NAIL LAM	2" x 6" (D)	SOUTHERN PINE	NO. 1	PRESSURE TREATED	522.25 STRUCTURAL LUMBER - TREATED (DECK)
FLOORBEAM	GLULAM	8 1/2" w x 16 1/2" d	VISUALLY GRADED SOUTHERN PINE	24F-V3	PRESSURE TREATED	522.40 STRUCTURAL GLUED LAMINATED TIMBER
LATTICE MEMBERS	SAWN TIMBER	3" x 11 1/2" (FS)	SOUTHERN PINE	NO. 1 DENSE	NONE	522.20 STRUCTURAL LUMBER & TIMBER - UNTREATED (LATTICE)
TRUSS BOTTOM CHORD	SAWN TIMBER	3" x 11 1/2" (FS)	SOUTHERN PINE	NO. 1 DENSE	NONE	522.20 STRUCTURAL LUMBER & TIMBER - UNTREATED (BOTTOM CHORD)
NAILERS AND CLEATS	SAWN LUMBER	VARIES	SPRUCE	CONSTRUCTION GRADE	PRESSURE TREATED	522.35 NONSTRUCTURAL LUMBER & TIMBER - TREATED (NAILERS AND CLEATS)
SIDING	SAWN LUMBER	1" x 10" (D)	ROUGH SAWN WHITE PINE HEMLOCK	NELMA # 2 OR BTR. 54S KD	NONE	522.30 NONSTRUCTURAL LUMBER - UNTREATED (SIDING)
ROOF SHEATHING*	SAWN LUMBER	1 1/4" (D)	EAST. SPRUCE	NELMA SELECT	NONE	522.30 NONSTRUCTURAL LUMBER - UNTREATED (ROOF SHEATHING)
BEARING*	SAWN TIMBER	9" x 9" (FS)	WHITE OAK	NO. 1	PRESSURE TREATED	522.25 STRUCTURAL LUMBER & TIMBER - TREATED (BEARINGS)
TREENAILS*	SAWN TIMBER	MATCH EXISTING	WHITE OAK	NO. 1	NONE	507.19 MECHANICAL BAR CONNECTOR (19") (MOD) 507.19 MECHANICAL BAR CONNECTOR (17") (MOD)

(RS) = ROUGH SAWN
(D) = DRESSED
(FS) = FULL SAWN TO INDICATED DIMENSIONS

*CONTRACTOR TO VERIFY ALL MEMBER DIMENSIONS FOR REPLACEMENT ELEMENTS TO ENSURE COMPATIBILITY WITH EXISTING

EXISTING TIMBER MEMBERS:
LATTICE MEMBERS 3" x 11 1/2"
BOTTOM CHORD 3" x 11 1/2"
SIDING 1" x 10" +/-
DECK 6" THICK NAIL LAM
FLOORBEAMS 8" x 14"
ROOF SHEATHING 1 1/4" THICK (WIDTH VARIES)
DECK RUNNERS 1 1/2" x 8 1/2"
BEARINGS 9" +/- x 9" +/-



ELEVATION
SCALE: 1" = 10'

STATE OF VERMONT AGENCY OF TRANSPORTATION

Town Of	PITTSFORD, VT	Bridge No.	31
Highway No.	ELM STREET (TH13)	Log Sta.	
		Surv. Sta.	
COOLEY COVERED BRIDGE REHABILITATION			
GENERAL PLAN AND ELEVATION			
Designed By	J. MESSIER	Drawn By	J. MESSIER
Checked By	E. ALLEN RANDALL	Date	01/03/03
		Bridge Design Supervisor	
		Date	
PROJECT	PITTSFORD	PROJECT NO.	BHO 1443 (36)
G.C. Info.			
Bridge Sheet No.		Sheet 7	of 15



PR 12/14/02 Cooley Bridge 1443.dwg 3/10/03