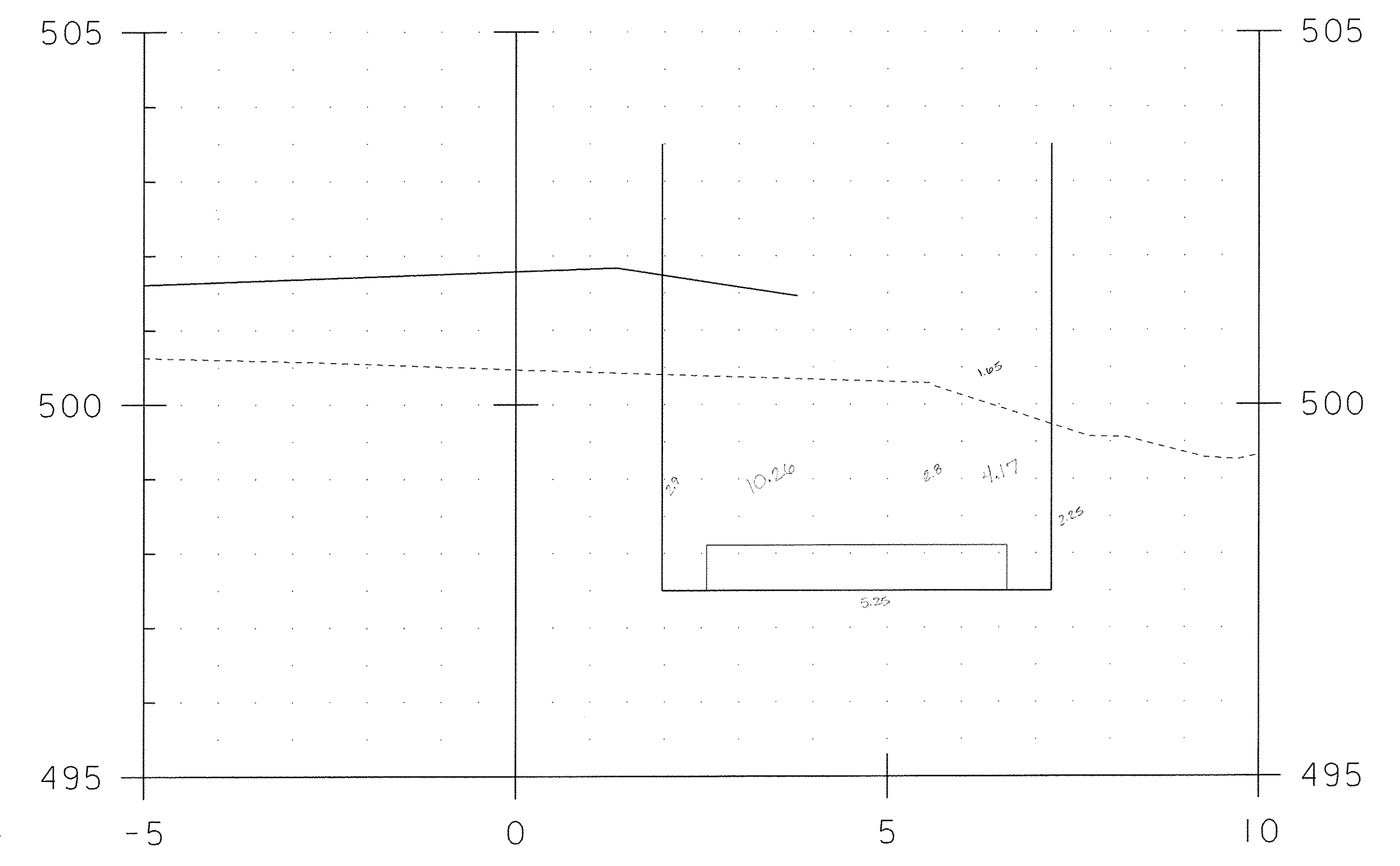


9+020.03 COFFER EX - 12.3716 M²



9+021.12 COFFER EX - 14.3468 M²

BRIDGE 20 ABUTMENT 1
COFFERDAM SECTIONS 3

PROJECT NAME: CHITTENDEN	
PROJECT NUMBER: STP 1443(45)	
FILE NAME: 96J236/str/sj236_CoffXs.dgn	PLOT DATE: 26-MAY-2010
PROJECT LEADER: C. CARLSON	DRAWN BY: C. MOONEY
DESIGNED BY: C. CARLSON	CHECKED BY: C. CARLSON
BR 20 ABUT 1 COFFERDAM XS 3	SHEET 13 OF 18

STA. 9+020 TO STA. 9+021