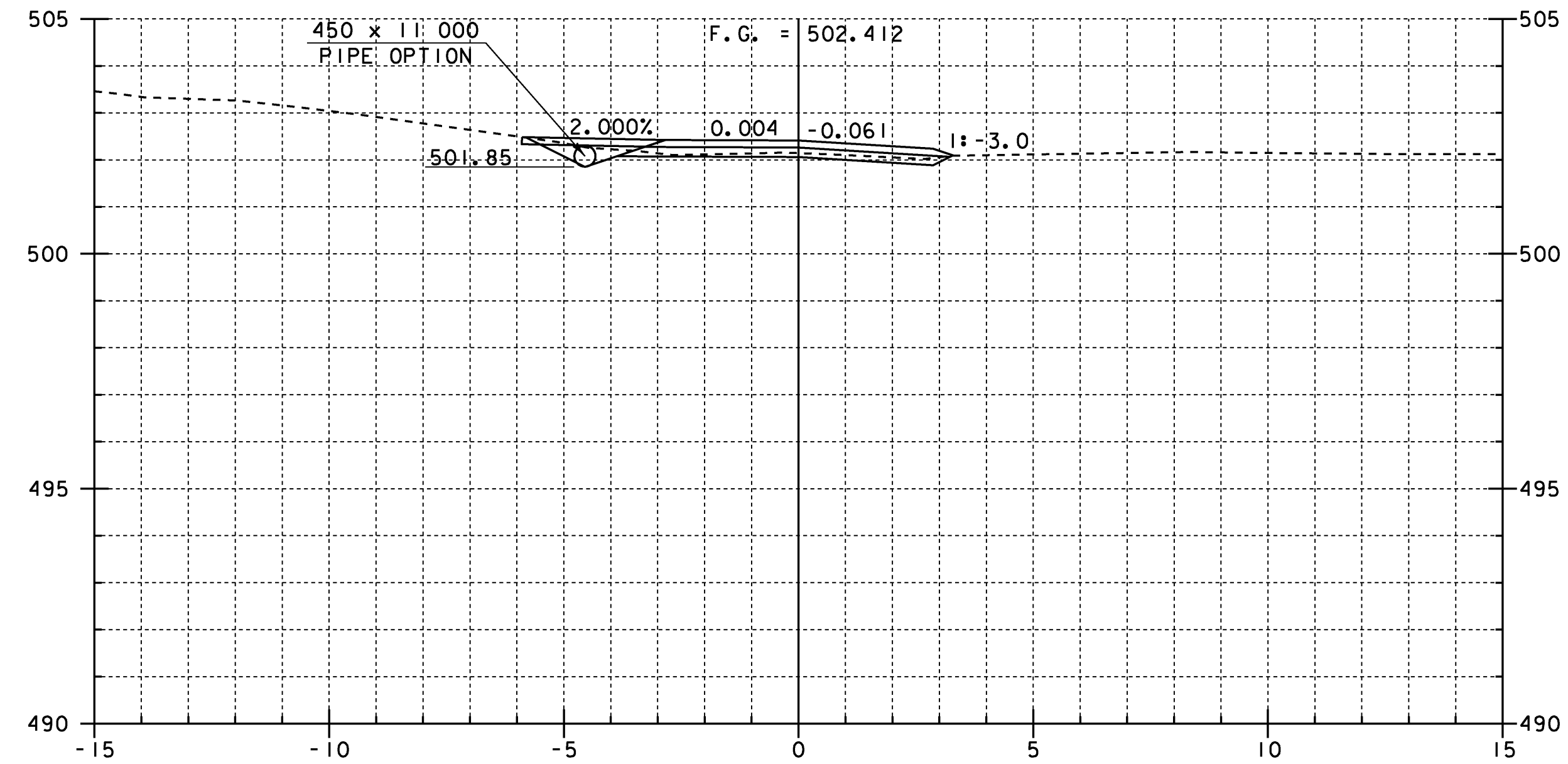
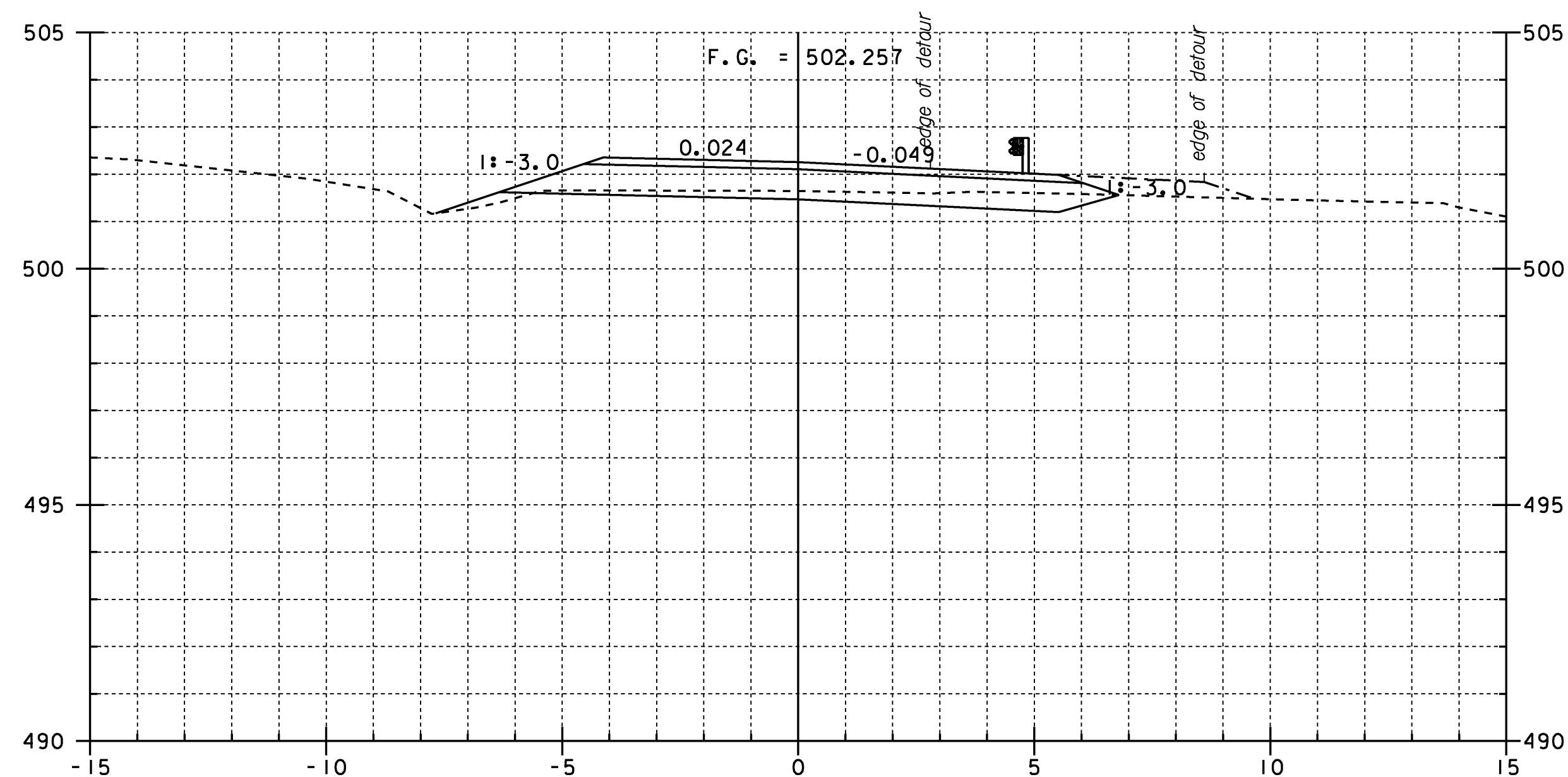


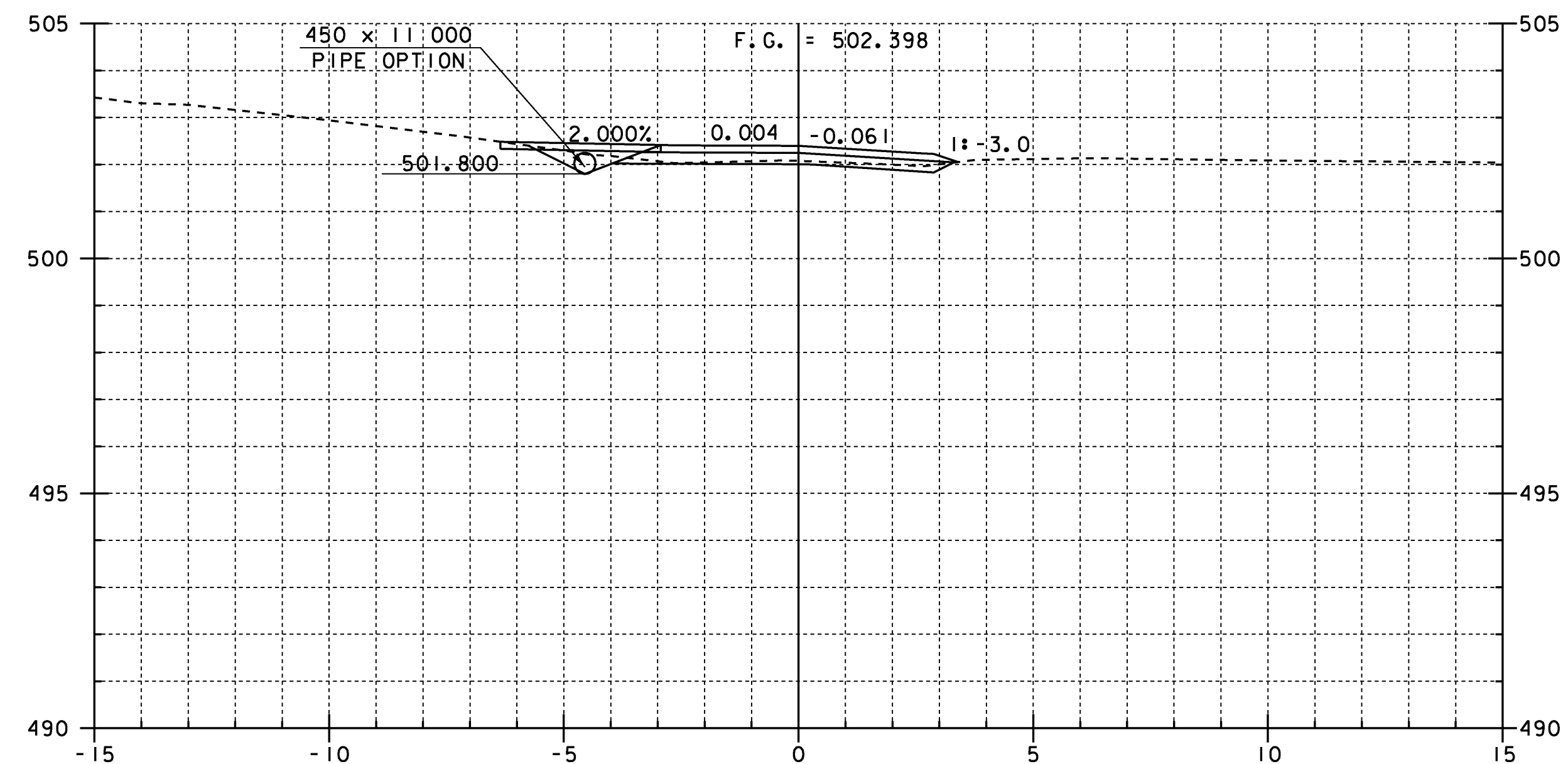
I+240
END PROJECT



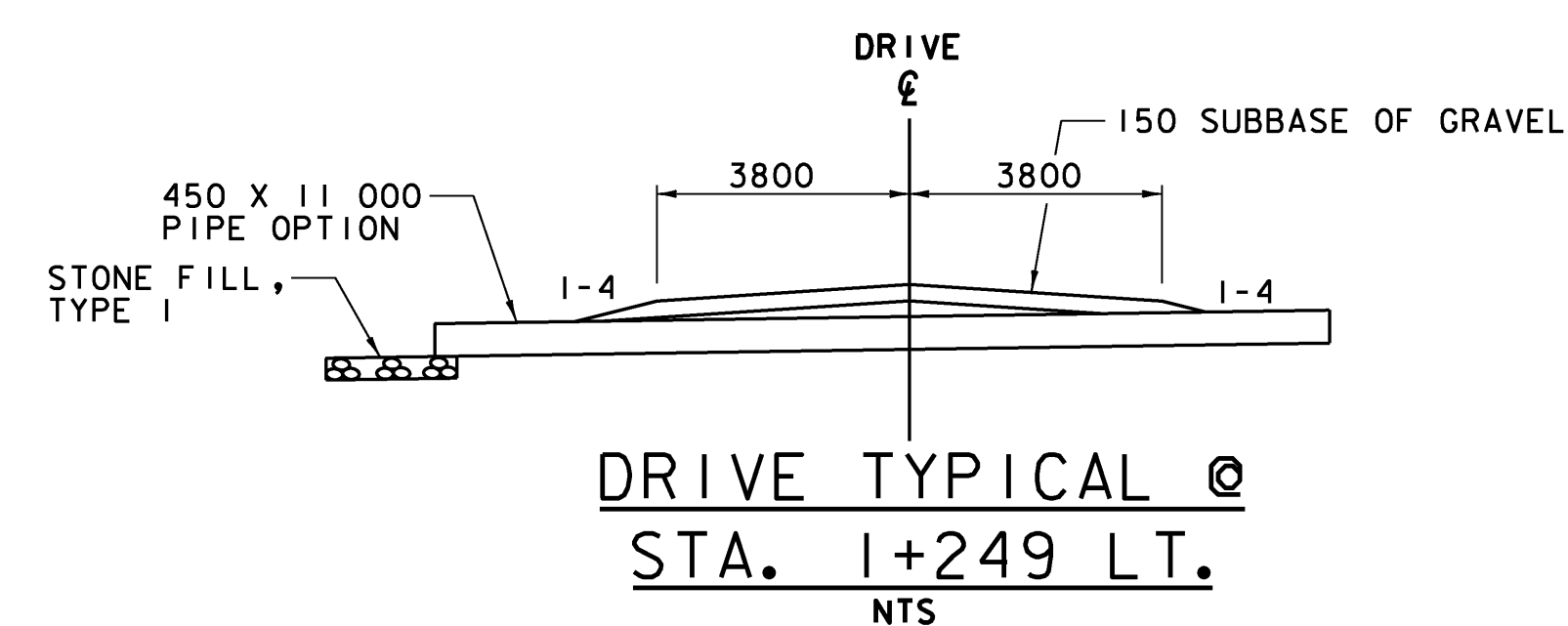
I+250
DRIVE LEFT



I+239.190
MAX FLARE RIGHT



I+249.000
CENTERLINE DRIVE LEFT



STATION I+239.190 - I+250

BRIDGE 20 MAINLINE CROSS SECTIONS 5

| | | | |
|------------------|-------------------------|-------------|-------------|
| PROJECT NAME: | CHITTENDEN | PLOT DATE: | 24-AUG-2009 |
| PROJECT NUMBER: | STP 1443(46) | DRAWN BY: | STR |
| FILE NAME: | /96j236/str/sj236xs.dgn | IPARM NAME: | sj236mli |
| PROJECT MANAGER: | C. CARLSON | SHEET | 76 OF 81 |
| DESIGNED BY: | K. UPMAL | | |