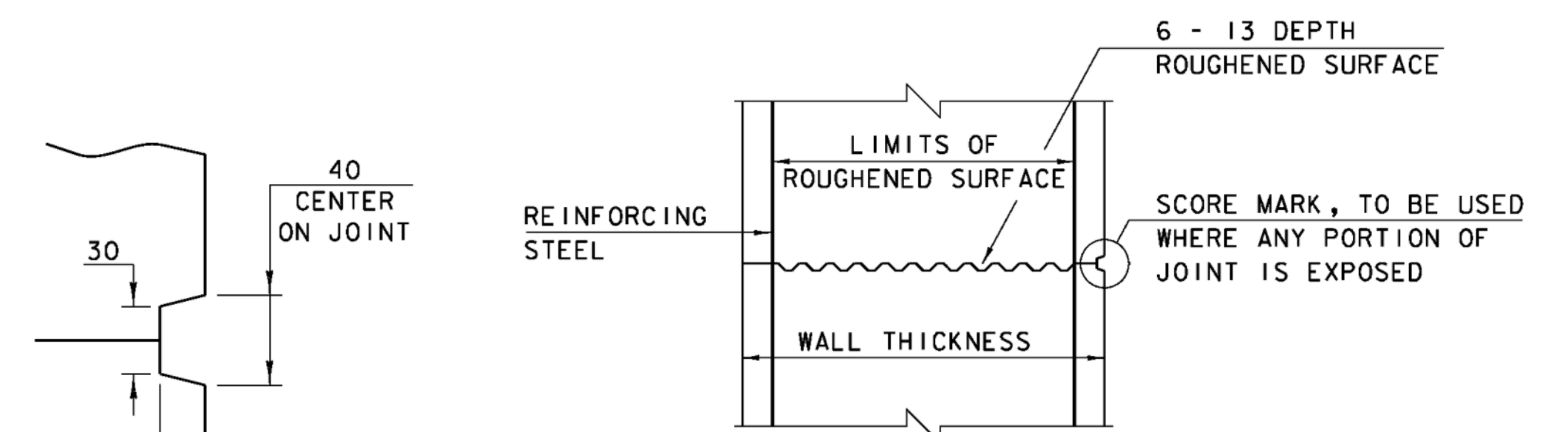
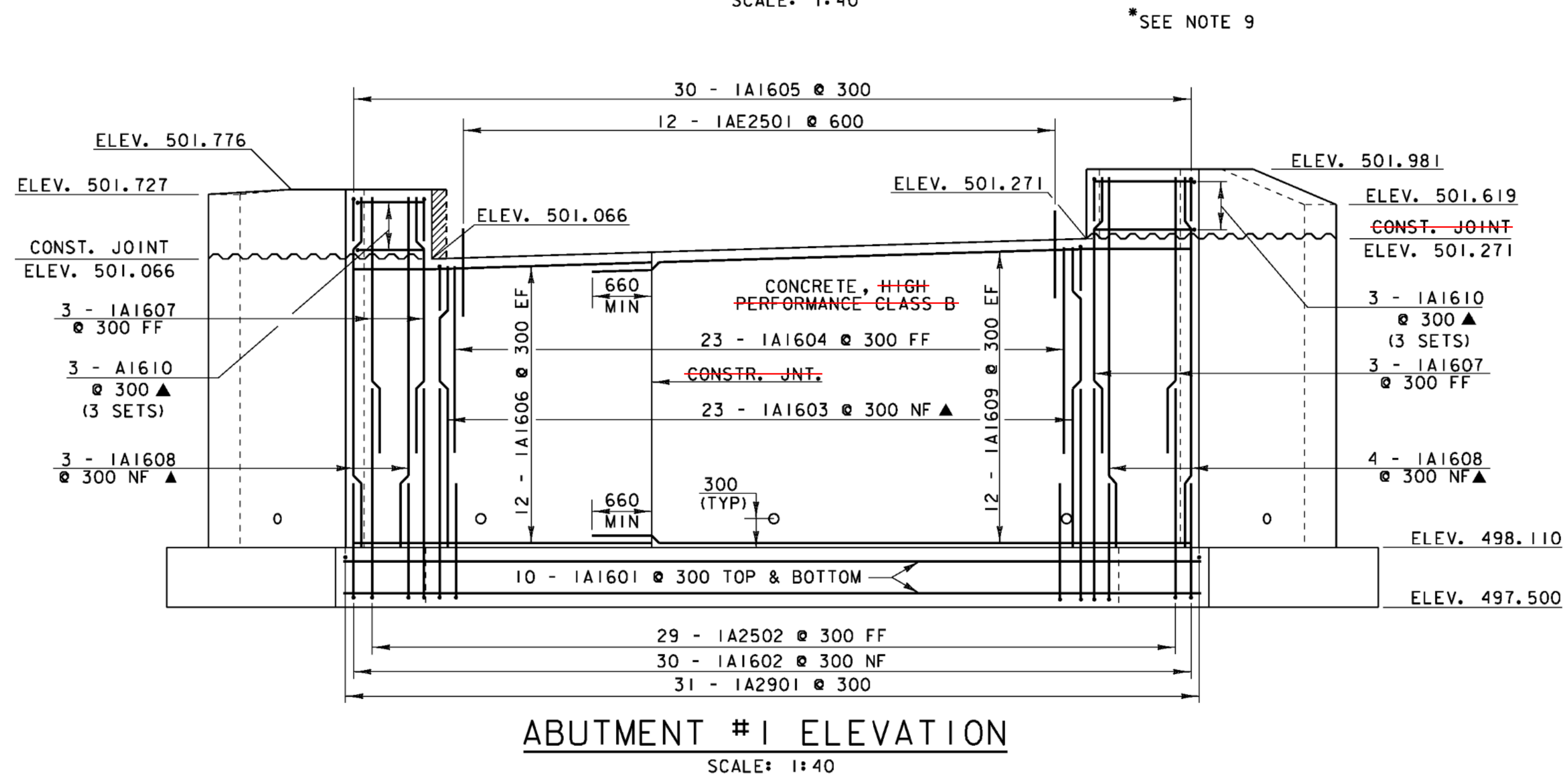


**ABUTMENT TYPICAL SECTION**  
SCALE: 1:20

**ABUTMENT #1 PLAN**  
SCALE: 1:40



**SCORE MARK DETAIL**  
SCALE: 1:2.5

**TYPICAL HORIZONTAL CONSTRUCTION JOINT**  
NOT TO SCALE

- NOTES**
- NF = NEAR FACE
  - FF = FAR FACE
  - EF = EACH FACE
  - ▲ = CUT TO FIT IN FIELD
  - 80 CLEAR UNLESS OTHERWISE SPECIFIED ON THE PLANS
  - 3000 MAX. WEEPHOLE SPACING
  - ALL LAPS NOT DETAILED SHALL BE 660 (MIN)
  - "E" - DENOTES EPOXY COATED
  - PAYMENT FOR PREFORMED JOINT FILLER CORK TO BE INCIDENTAL TO CONCRETE, HIGH PERFORMANCE CLASS B

- THE SURFACE OF THE CONCRETE CONSTRUCTION JOINTS SHALL BE CLEANED AND FREE OF LAITANCE.
- IMMEDIATELY BEFORE NEW CONCRETE IS PLACED, ALL CONSTRUCTION JOINTS SHALL BE WETTED AND STANDING WATER REMOVED.

**BRIDGE 20 ABUTMENT 1 DETAILS**

|                 |                         |                |                |
|-----------------|-------------------------|----------------|----------------|
| PROJECT NAME:   | CHITTENDEN              | PLOT DATE:     | 24-AUG-2009    |
| PROJECT NUMBER: | STP 1443(46)            | DRAWN BY:      | C. WEEBER      |
| FILE NAME:      | /96j236/str/sj236ab.dgn | CHECKED BY:    | C. CARLSON     |
| DESIGNED BY:    | K. UPMAL                | IPARM:         | sj236br20abi.t |
|                 |                         | SHEET 67 OF 81 |                |