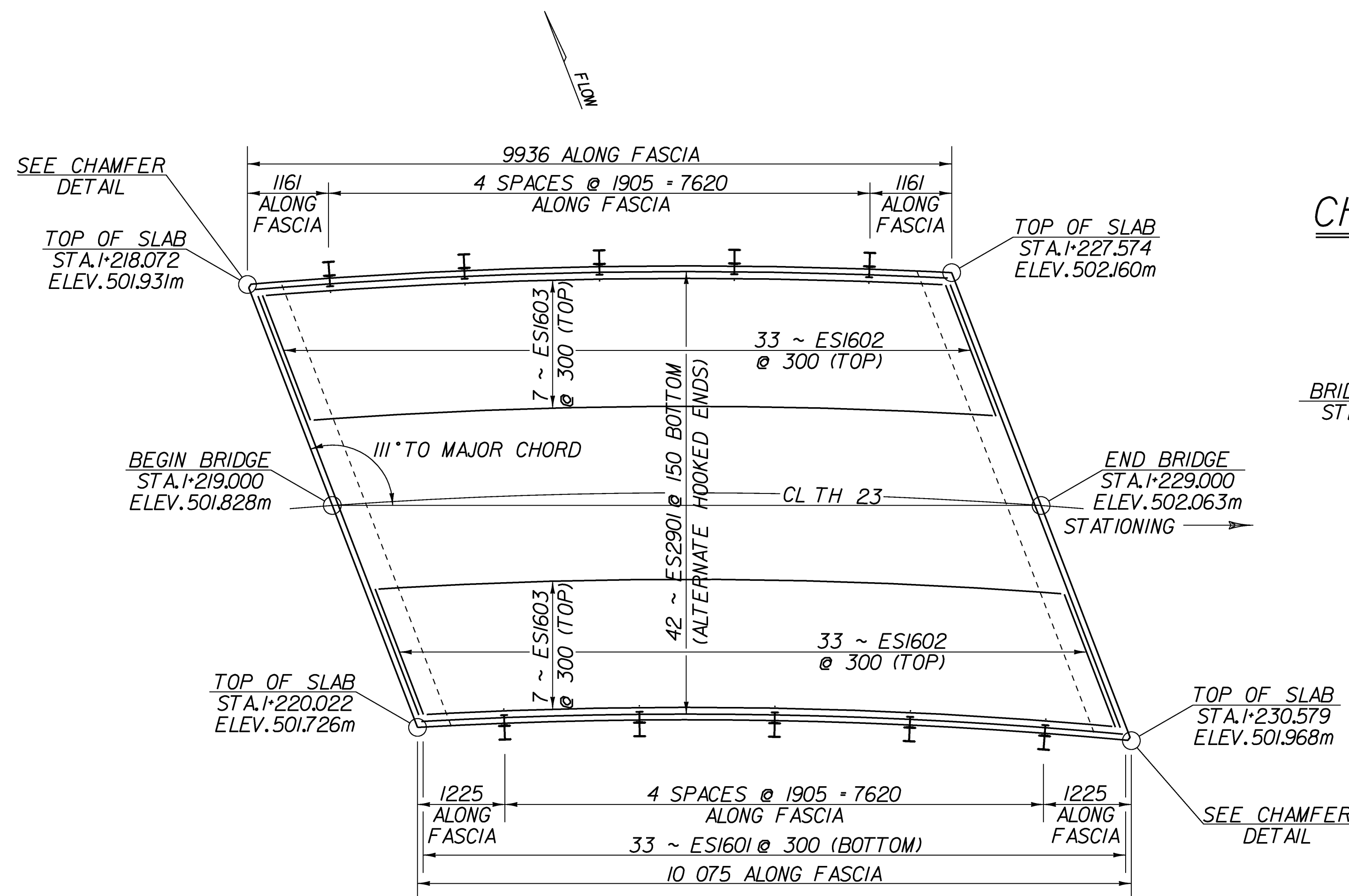
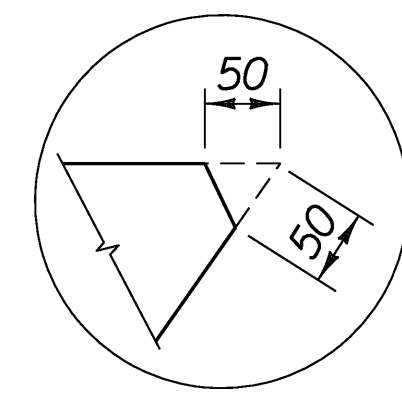


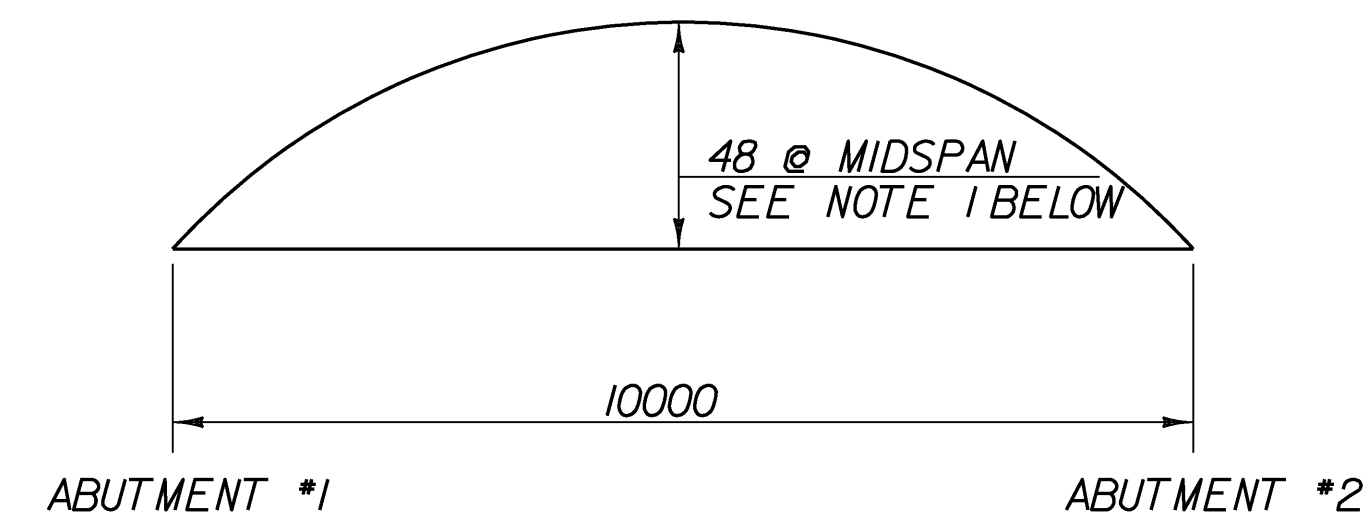
ELEVATION ALONG CL ROADWAY
SCALE: 1:25



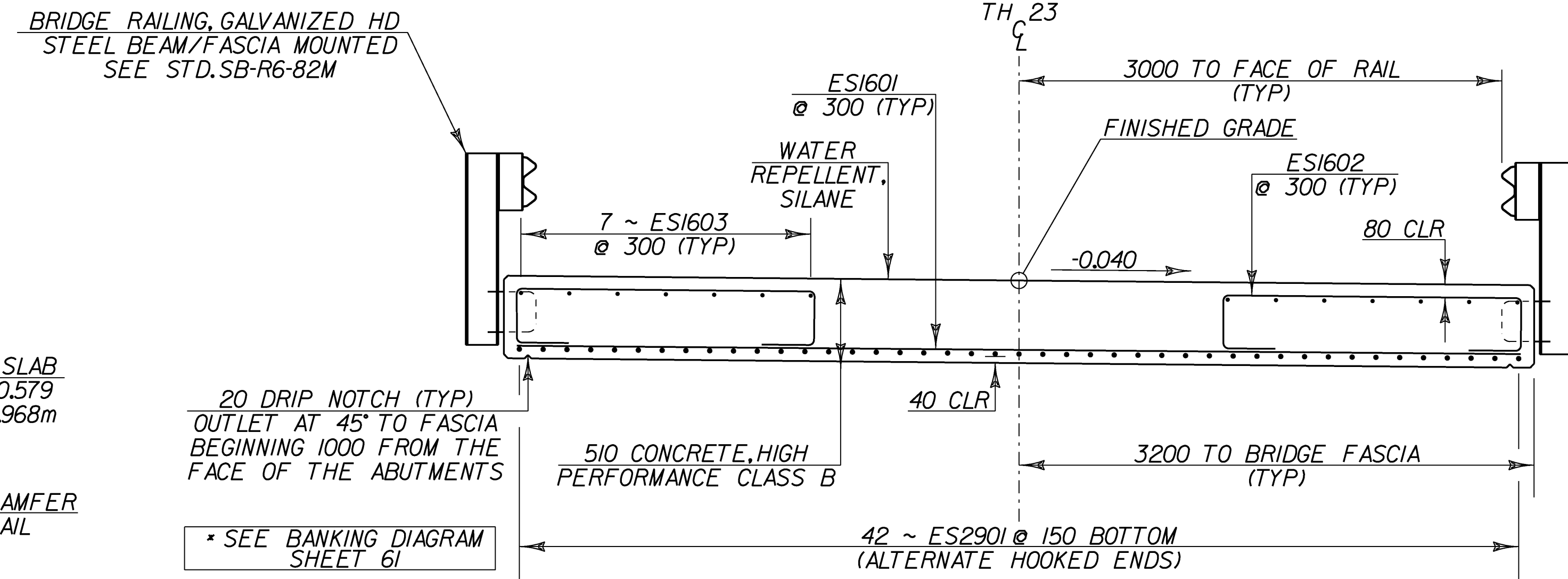
BRIDGE DECK PLAN
SCALE: 1:50



CHAMFER DETAIL
NOT TO SCALE



BRIDGE 20 CAMBER
NTS



BRIDGE SECTION
SCALE: 1:25

NOTES:

1. THE SLAB SHALL BE CAMBERED A TOTAL OF 48mm AT MIDSPAN. THIS CAMBER SHALL APPROXIMATE A CIRCULAR CURVE.
2. THE CONCRETE DECK SHALL BE BROOM FINISHED NORMAL TO CENTERLINE.
3. THE COST OF THE TAR PAPER AND PIPE INSULATION AND THEIR APPLICATIONS SHALL BE INCIDENTAL TO ITEM 501.34 "CONCRETE, HIGH PERFORMANCE CLASS B."
4. THE "E" AND "AE" PREFIX DENOTES EPOXY COATED REINFORCING STEEL.
5. 80mm CLEAR UNLESS OTHERWISE SPECIFIED ON THE PLANS
6. ALL LAPS NOT DETAILED SHALL BE 660 (MIN)

BRIDGE 20 DECK DETAILS

PROJECT NAME:	CHITTENDEN	PLOT DATE:	18-AUG-2009
PROJECT NUMBER:	STP 1443(46)	DRAWN BY:	C. WEEBER
FILE NAME:	/96j236/str/sj236deck.dg	CHECKED BY:	D. PETERSON
PROJECT MANAGER:	C. CARLSON	SHEET	66 OF 81
DESIGNED BY:	K. UPMAL		
sj236br20dck. i			