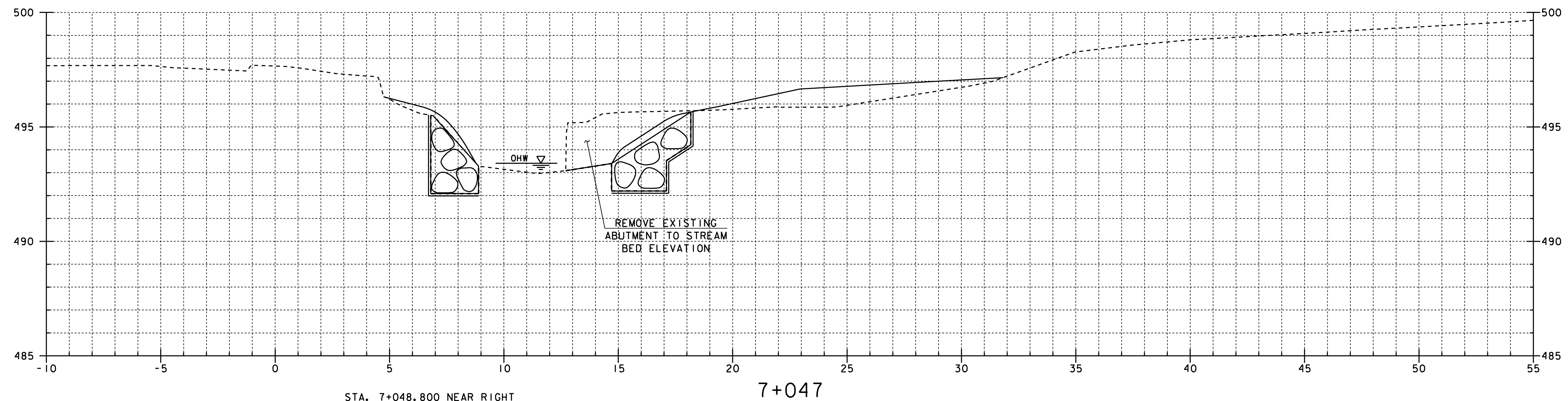


STA. 7+051.400 FAR RIGHT
 END UNCLASSIFIED CHANNEL EXCAVATION
 GEOTEXTILE UNDER STONE FILL
 STONE FILL TYPE IV
 GRUBBING MATERIAL



STA. 7+048.800 NEAR RIGHT
 END UNCLASSIFIED CHANNEL EXCAVATION
 GEOTEXTILE UNDER STONE FILL
 STONE FILL TYPE IV
 GRUBBING MATERIAL

BRIDGE 19 CHANNEL CROSS SECTIONS 6

PROJECT NAME: CHITTENDEN	PLOT DATE: 14-AUG-2009
PROJECT NUMBER: STP 1443(45)	DRAWN BY: STR
FILE NAME: /96j236/str/sj236xs.dgn	IPARM NAME: sj236cx6.i
PROJECT MANAGER: C. CARLSON	SHEET 52 OF 81
DESIGNED BY: K. UPMAL	

STATION 7+047 - 7+050