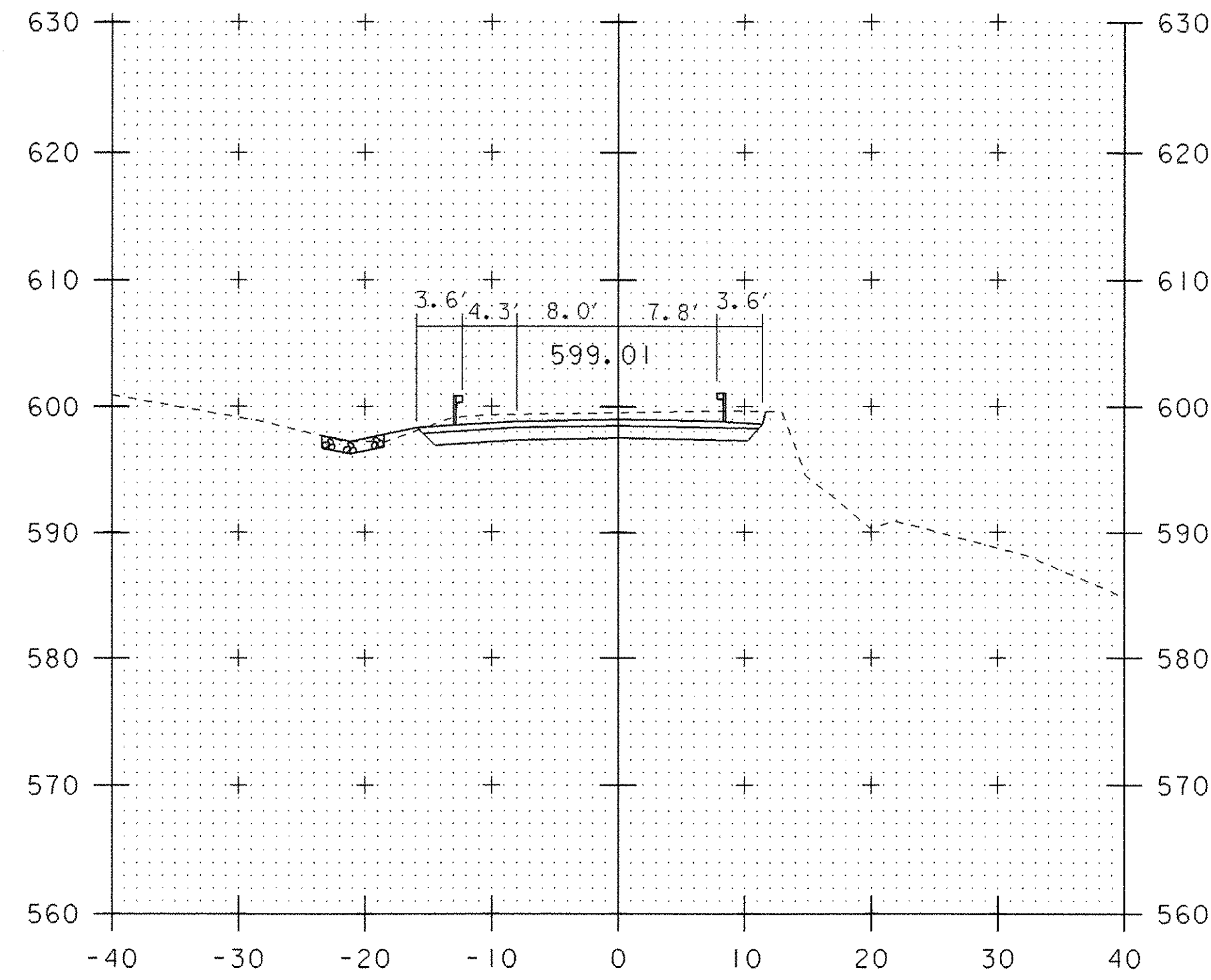
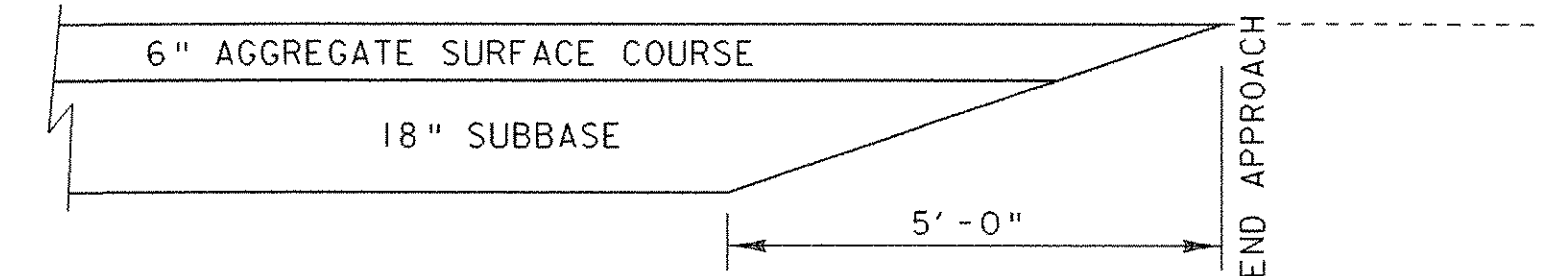
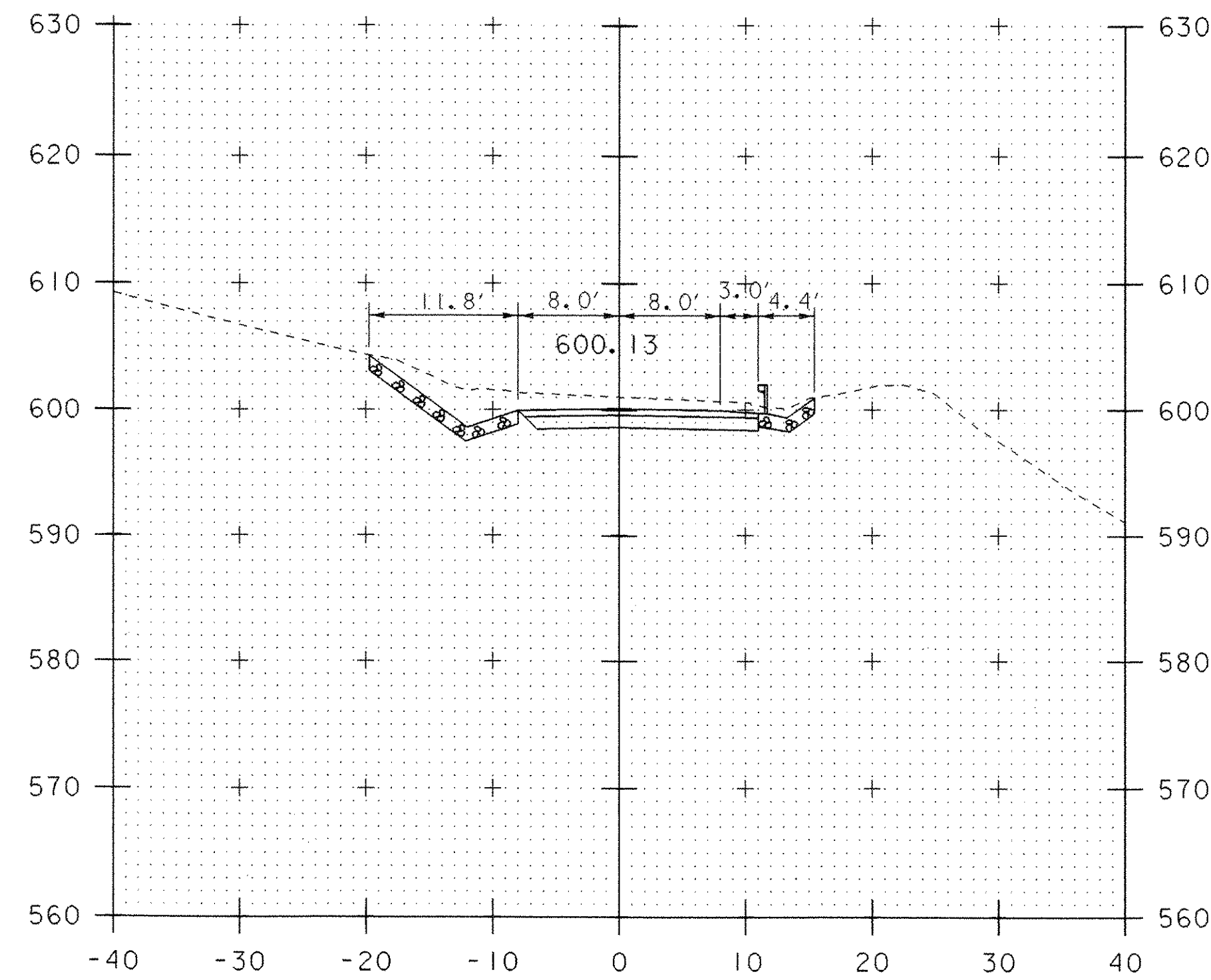


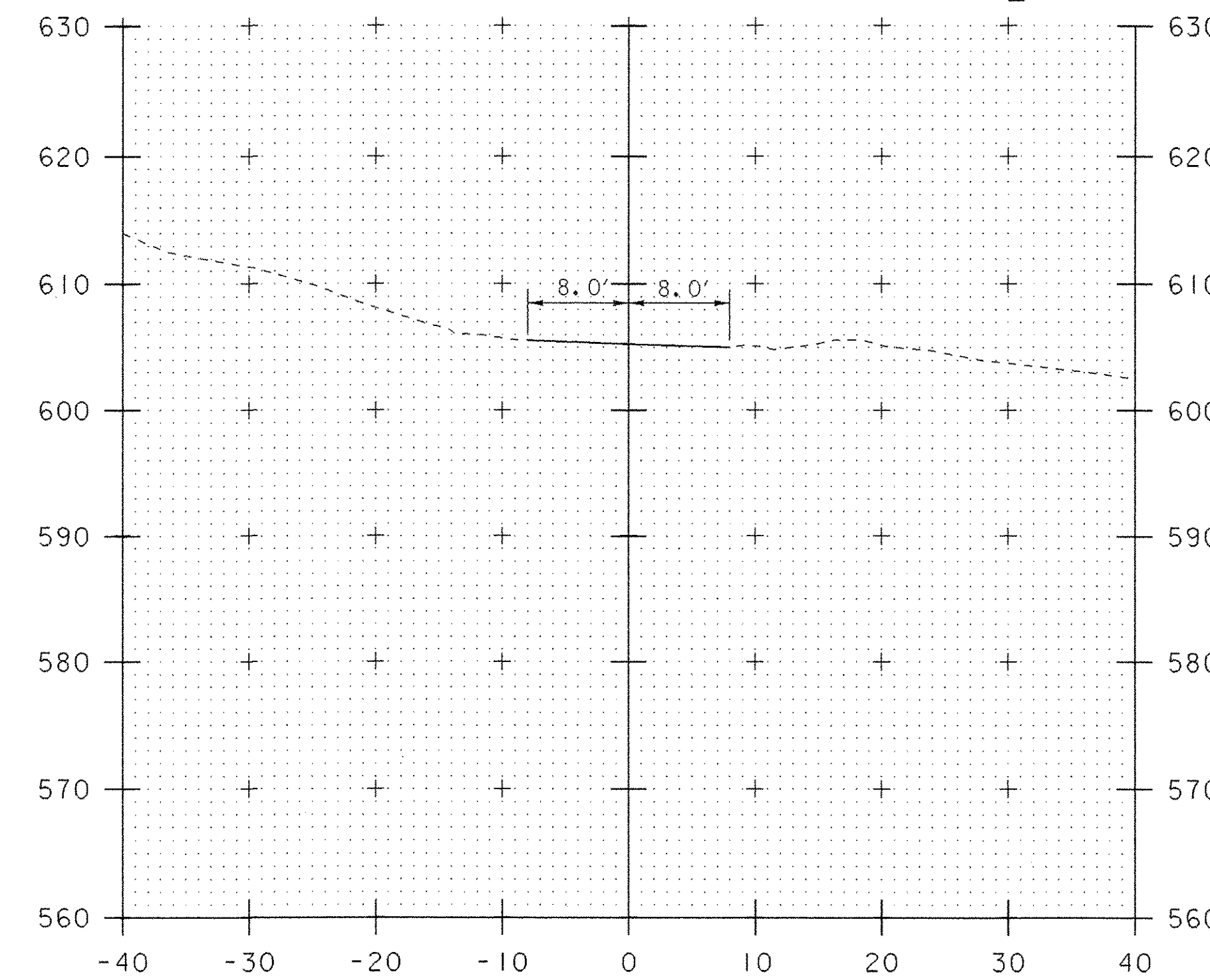
MATERIAL TRANSITION



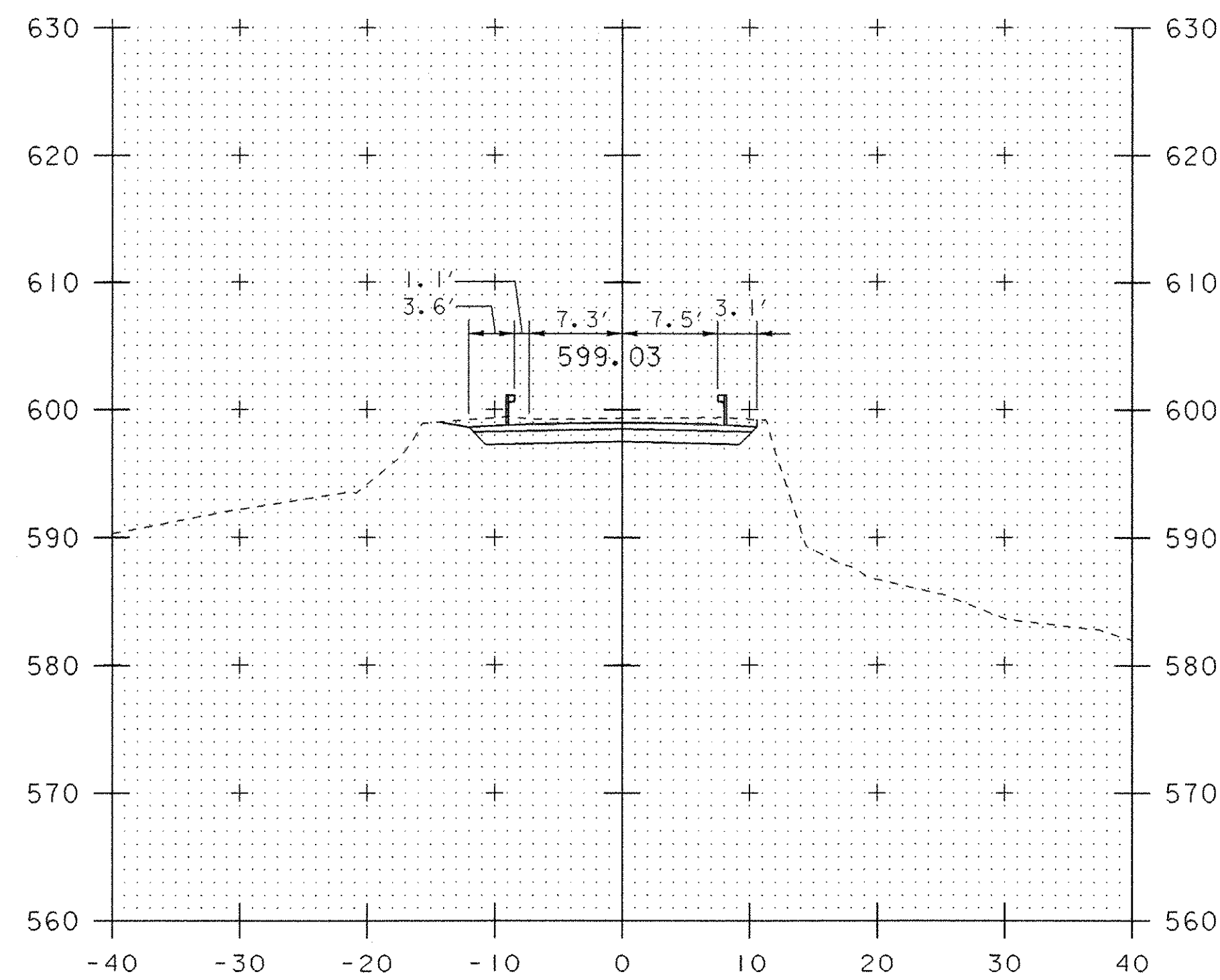
7+50
END PROJECT



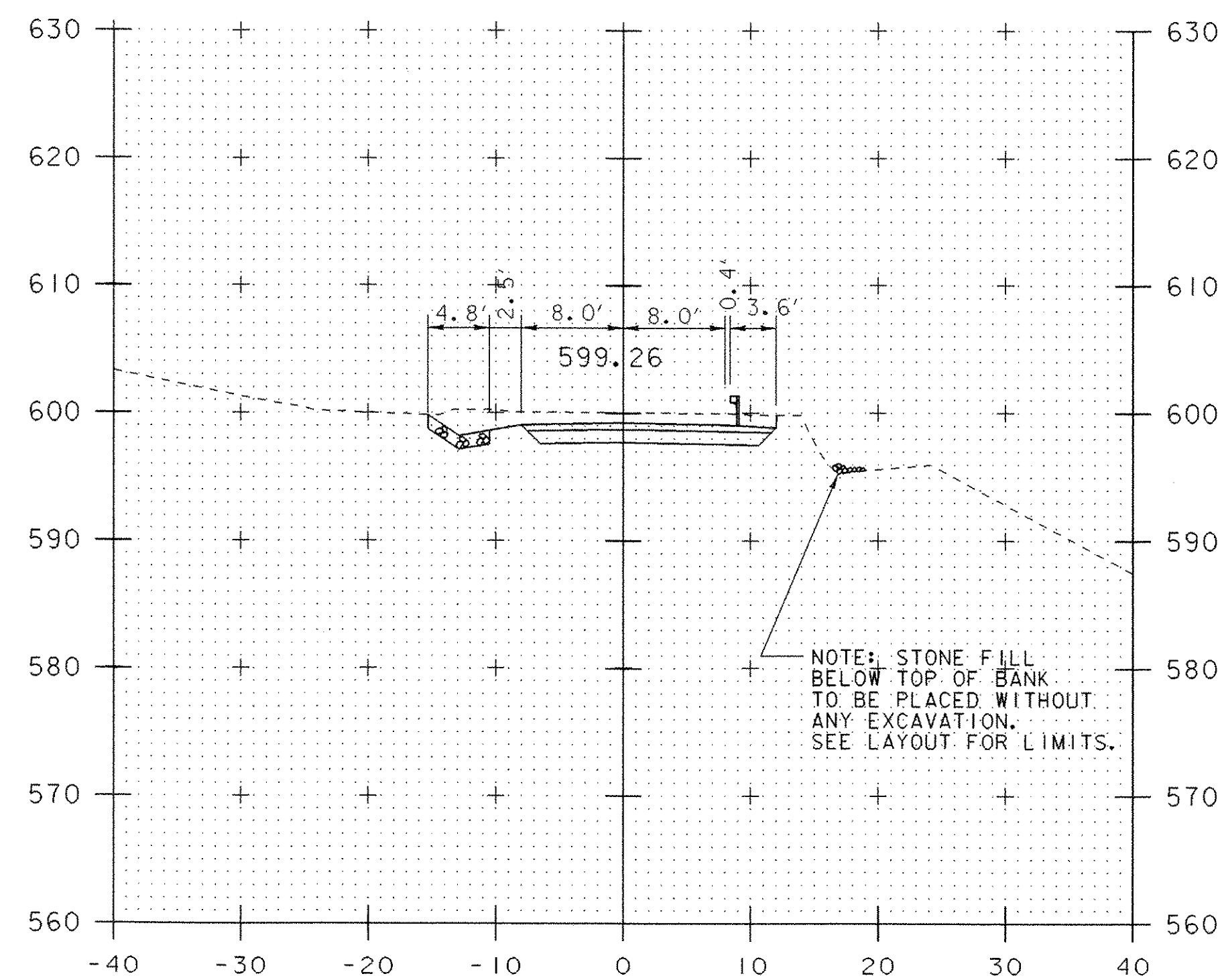
7+75



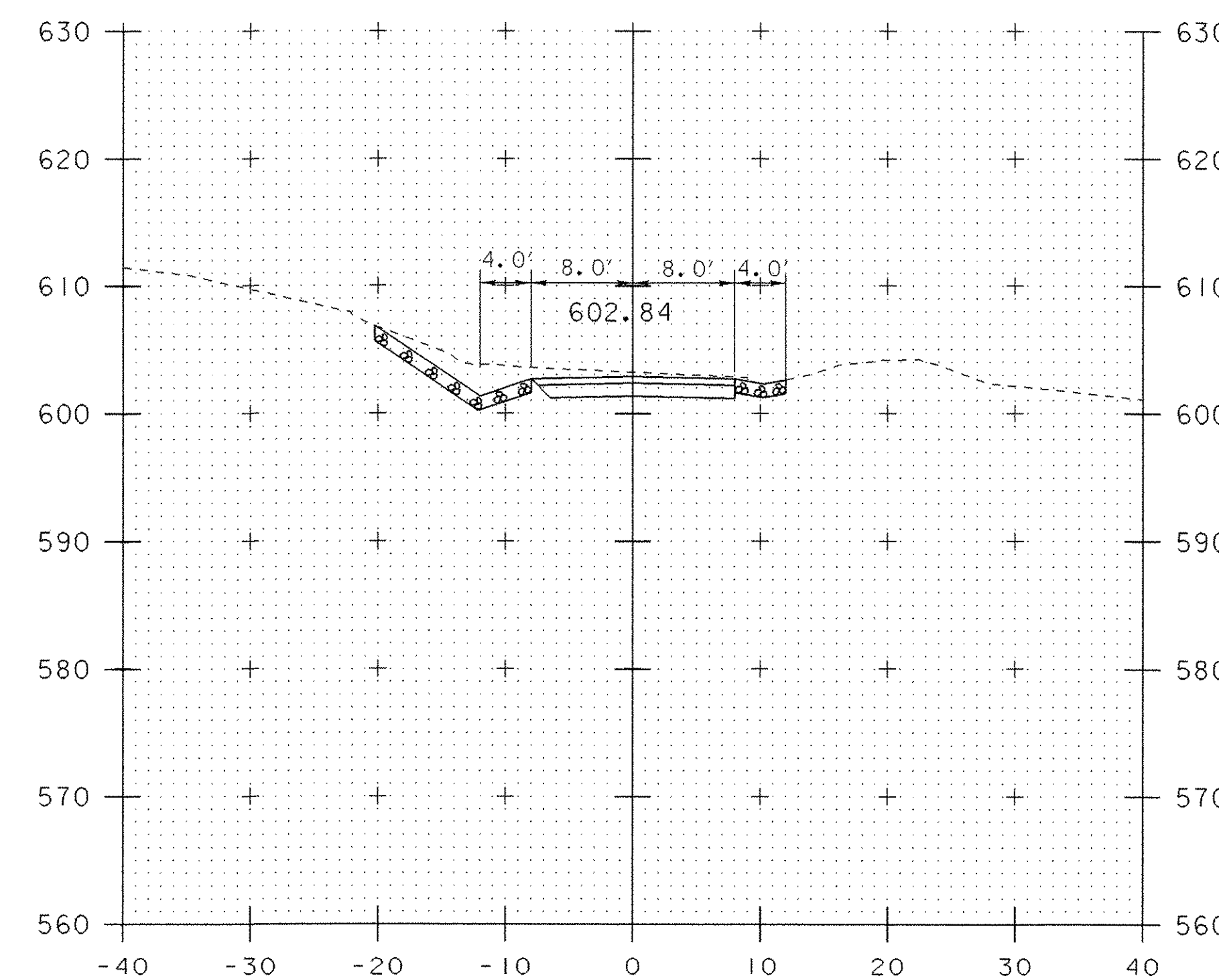
8+25
END APPROACH



7+40



7+60



8+00

MAINLINE SECTIONS

PROJECT NAME:	WEATHERSFIELD	PLOT DATE:	I5-MAR-2007
PROJECT NUMBER:	BHO 1442(29)	DRAWN BY:	G. SHANGRAW
FILE NAME:	/96j234/s+tr/s96j234xsl.dgn	DESIGNED BY:	T. FILLBACH
PROJECT LEADER:	W. SYMONDS	CHECKED BY:	T. SUMNER
DESIGNED BY:	T. FILLBACH	SHEET	53 OF 60
sj234mx3.i			

STA. 7+40 TO STA. 8+25