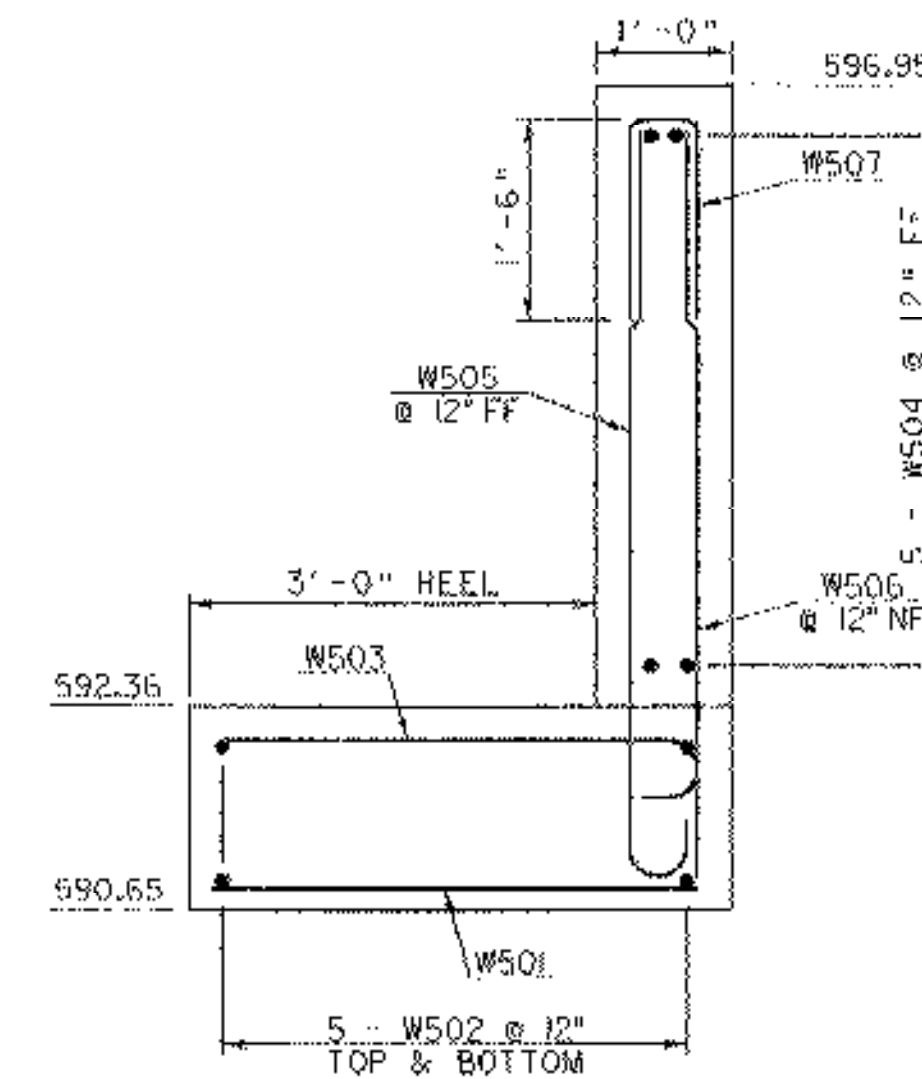


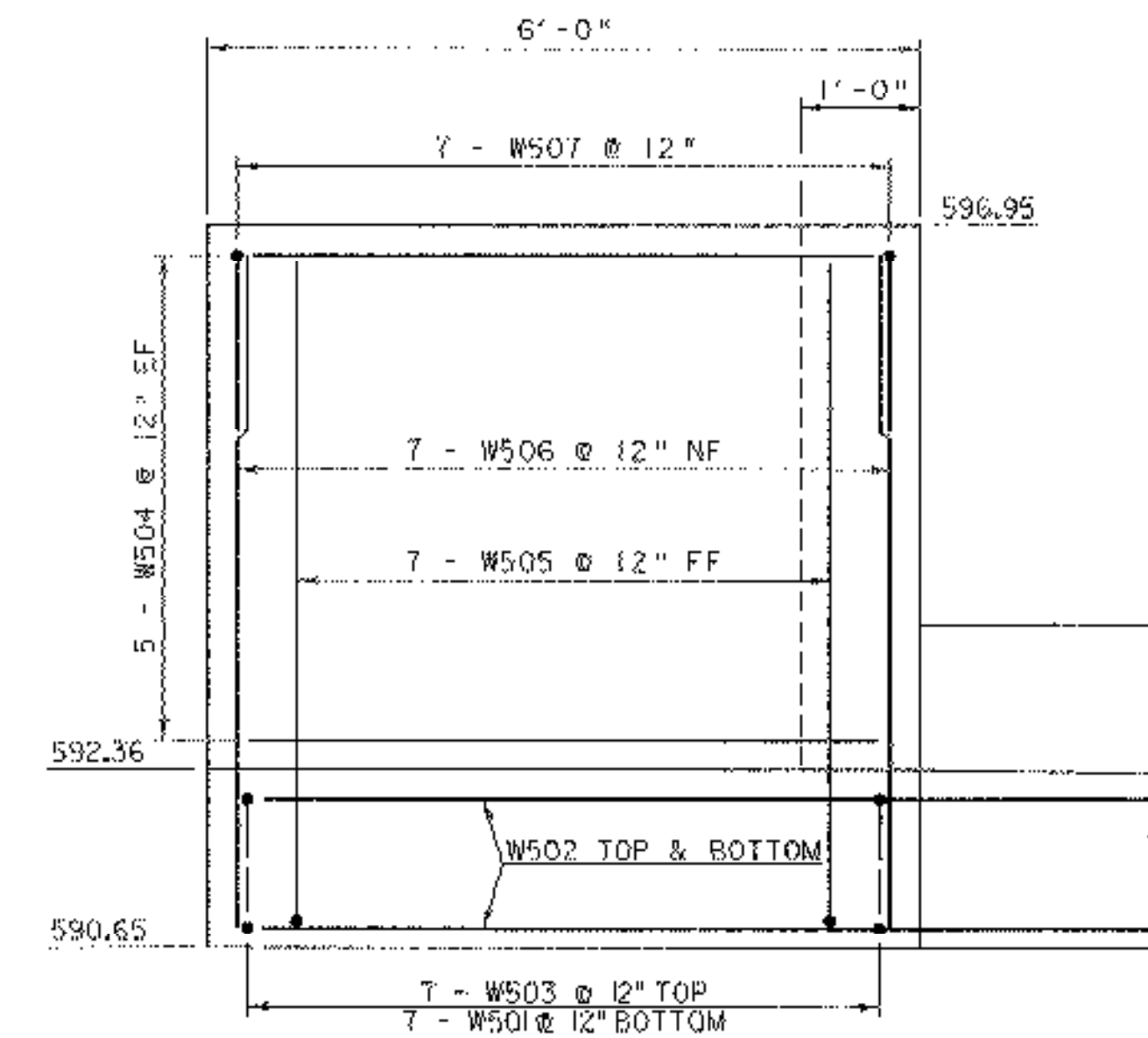
ABUTMENT #1 PLAN VIEW

SCALE 1/2" = 1'-0"



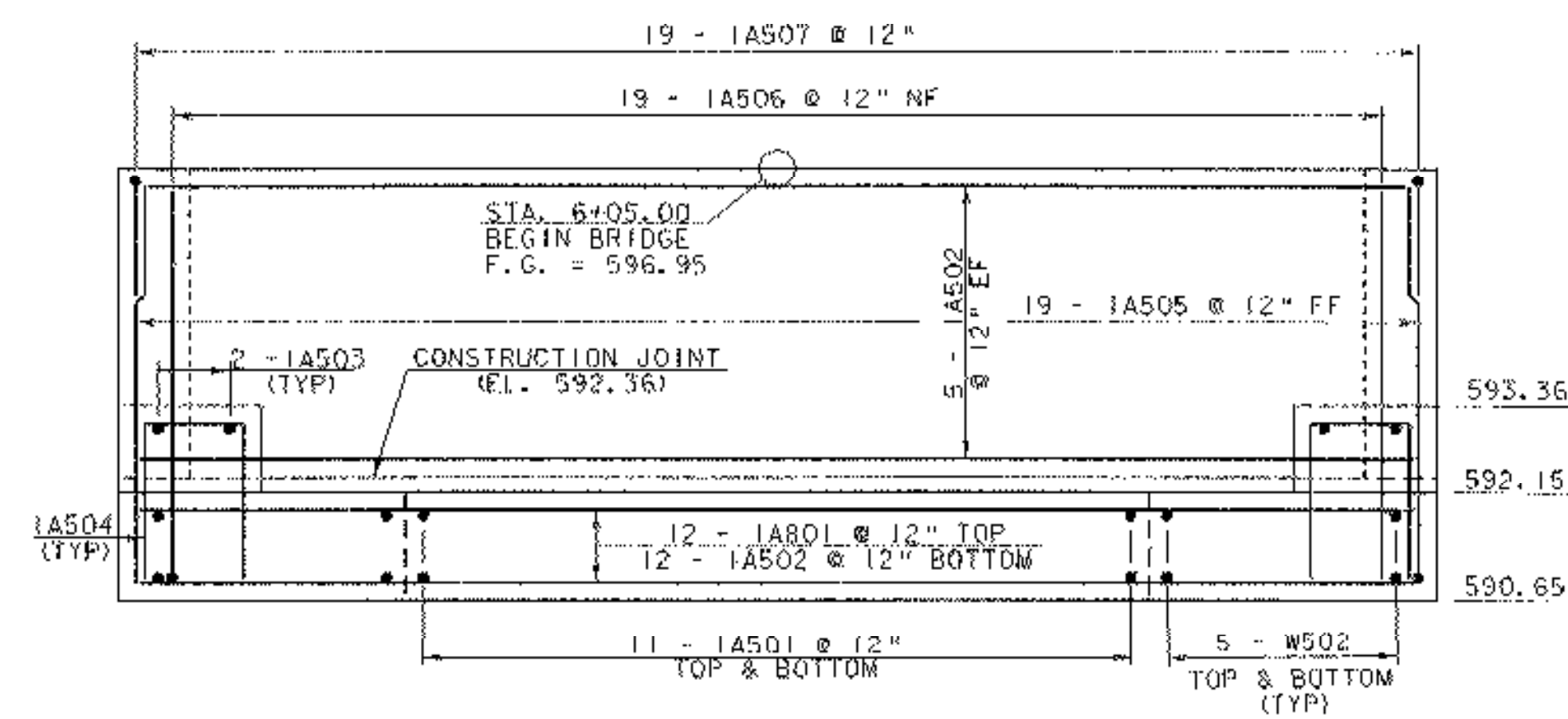
WINGWALL 1 & 2
TYPICAL SECTION

SCALE 3/4" = 1'-0"



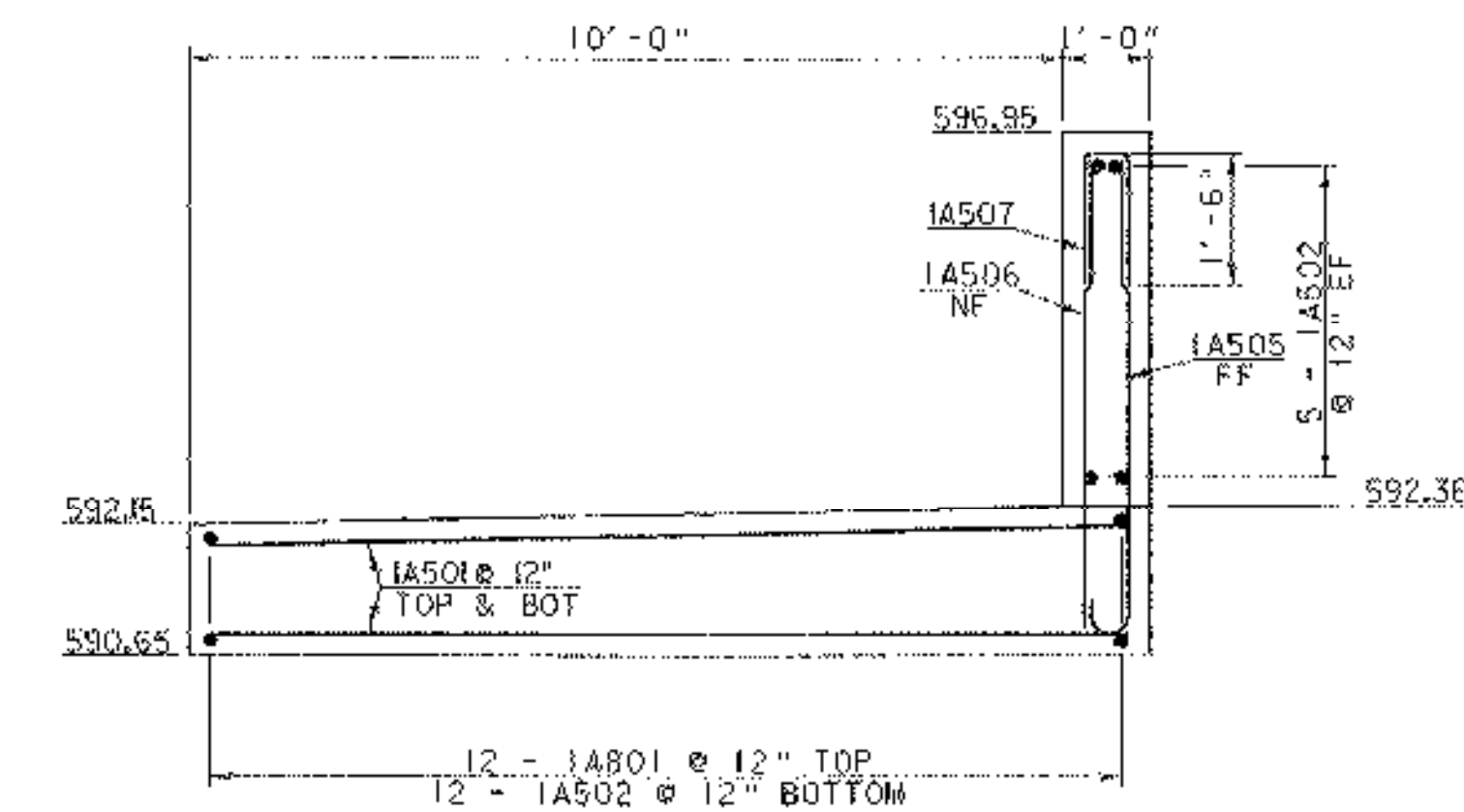
WINGWALL 1 & 2
ELEVATION VIEW

SCALE 3/4" = 1'-0"



ABUTMENT #1 ELEVATION VIEW

SCALE 1/2" = 1'-0"



ABUTMENT #1 SECTION A-A

SCALE 1/2" = 1'-0"

NOTE:

- NF = NEAR FACE
- FF = FAR FACE
- EF = EACH FACE
- ▲ = CUT TO FIT IN FIELD
- 3" CLR. UNLESS OTHERWISE SPECIFIED ON THE PLANS.

ABUTMENT #1 CAP DETAILS

PROJECT NAME:	WEATHERSFIELD	PLOT DATE:	15-MAR-2007
PROJECT NUMBER:	BHO 1442(29)	DRAWN BY:	J. SALVATORI
FILE NAME:	/96j234/s/tr/s96j234sub.dgn	CHECKED BY:	T. SUMNER
PROJECT LEADER:	W. SYMONDS	SHEET	40 OF 60
DESIGNED BY:	T. FILLBACH		
s:j234atcap.l			