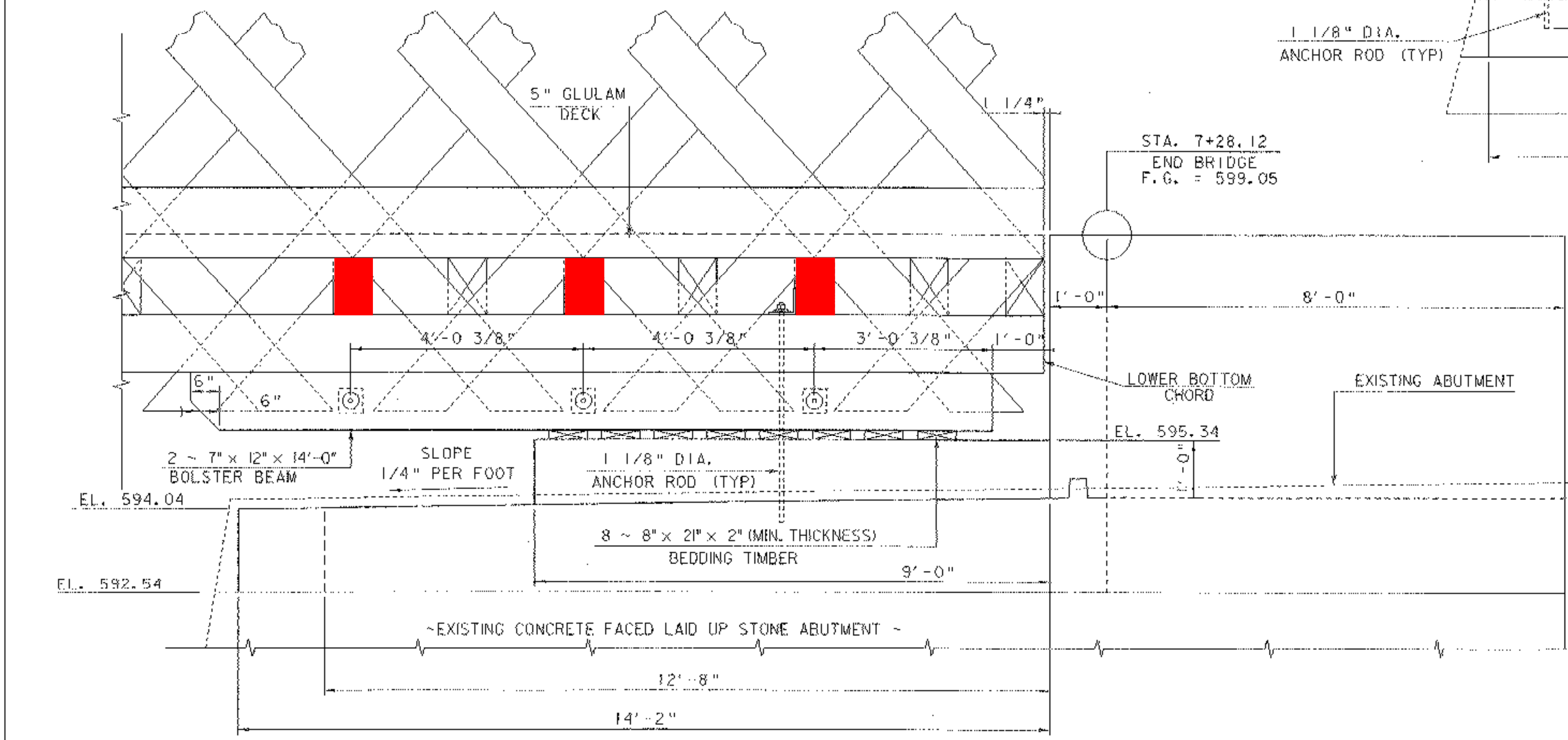


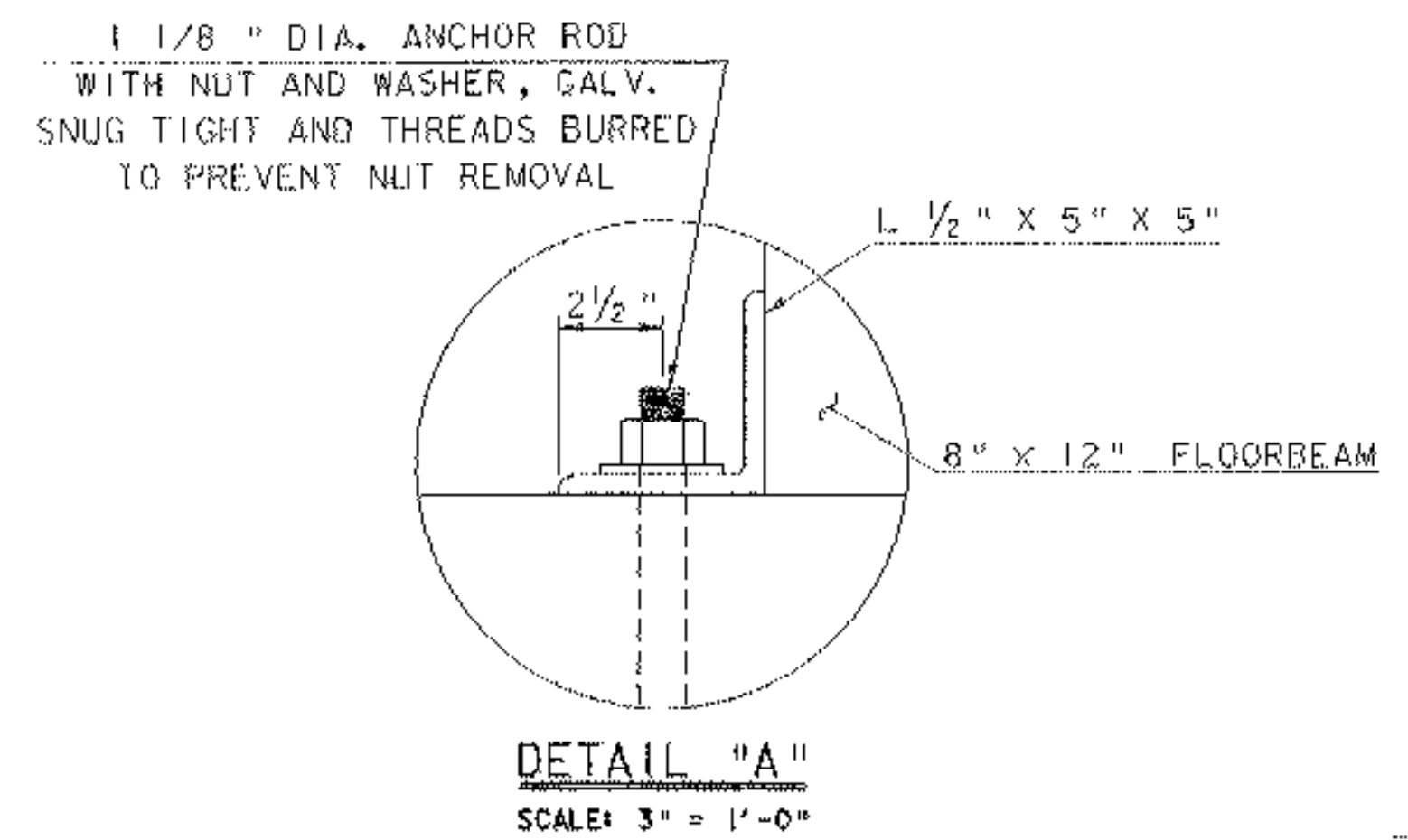
**ABUTMENT #1
BEARING DETAIL**

SCALE 3/4" = 1'-0"



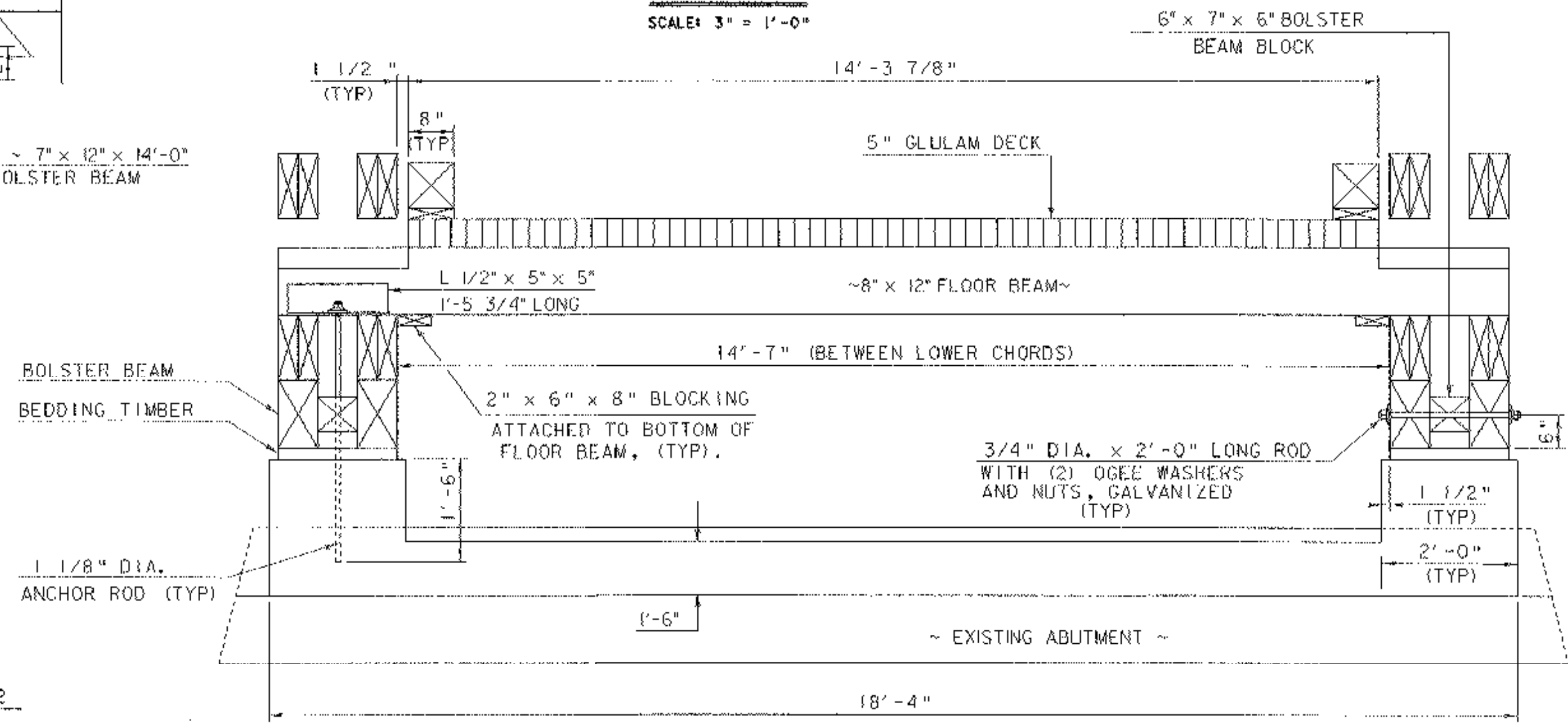
**ABUTMENT #2
BEARING DETAIL**

SCALE 3/4" = 1'-0"



DETAIL "A"

SCALE: 3" = 1'-0"



ABUTMENT TYPICAL SECTION

SCALE 3/4" = 1'-0"

**BEARING DETAILS &
ABUTMENT TYPICAL SECTION**

PROJECT NAME: WEATHERSFIELD	PLOT DATE: 15-MAR-2007
PROJECT NUMBER: BHO 1442(29)	DRAWN BY: J. SALVATORI
FILE NAME: /96j234/str/s96j234rfdgn	CHECKED BY: T. SUMNER
PROJECT LEADER: W. SYMONDS	SHEET 39 OF 60
DESIGNED BY: T. FILLBACH	
sj234bearing.l	