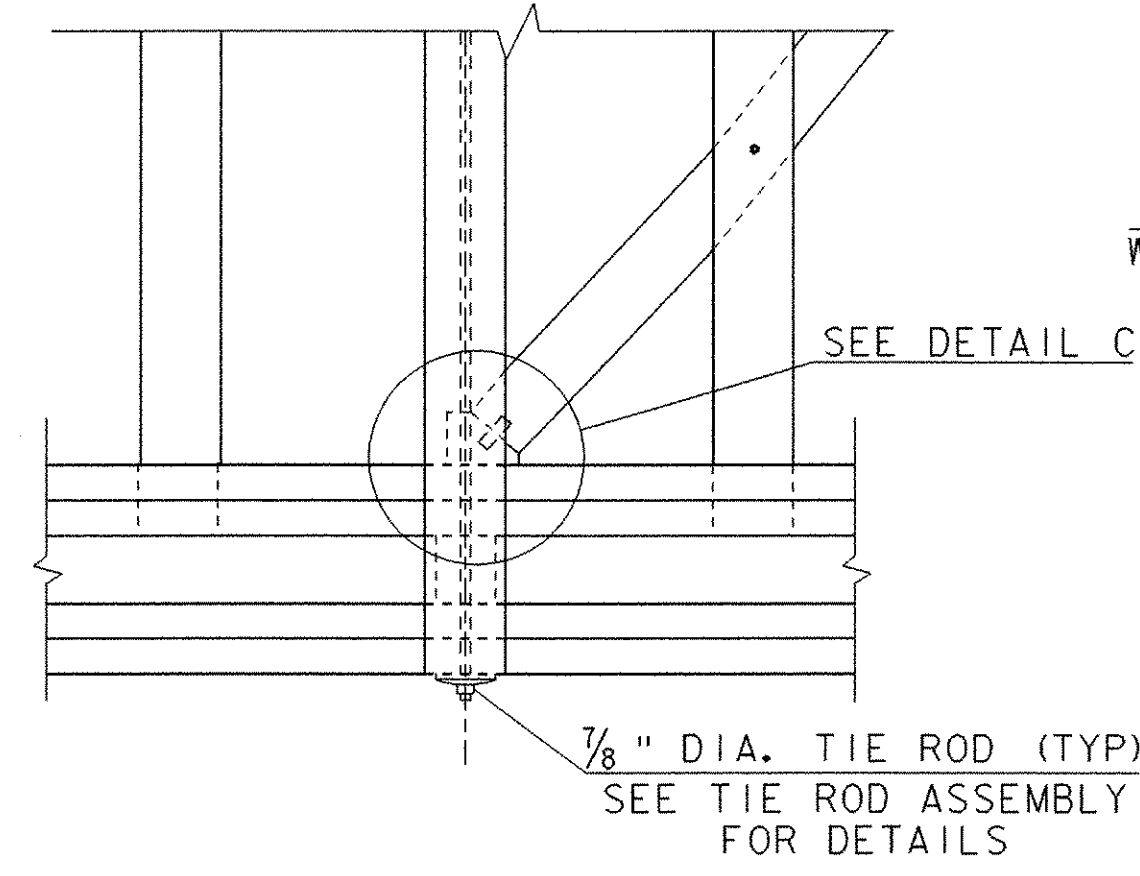
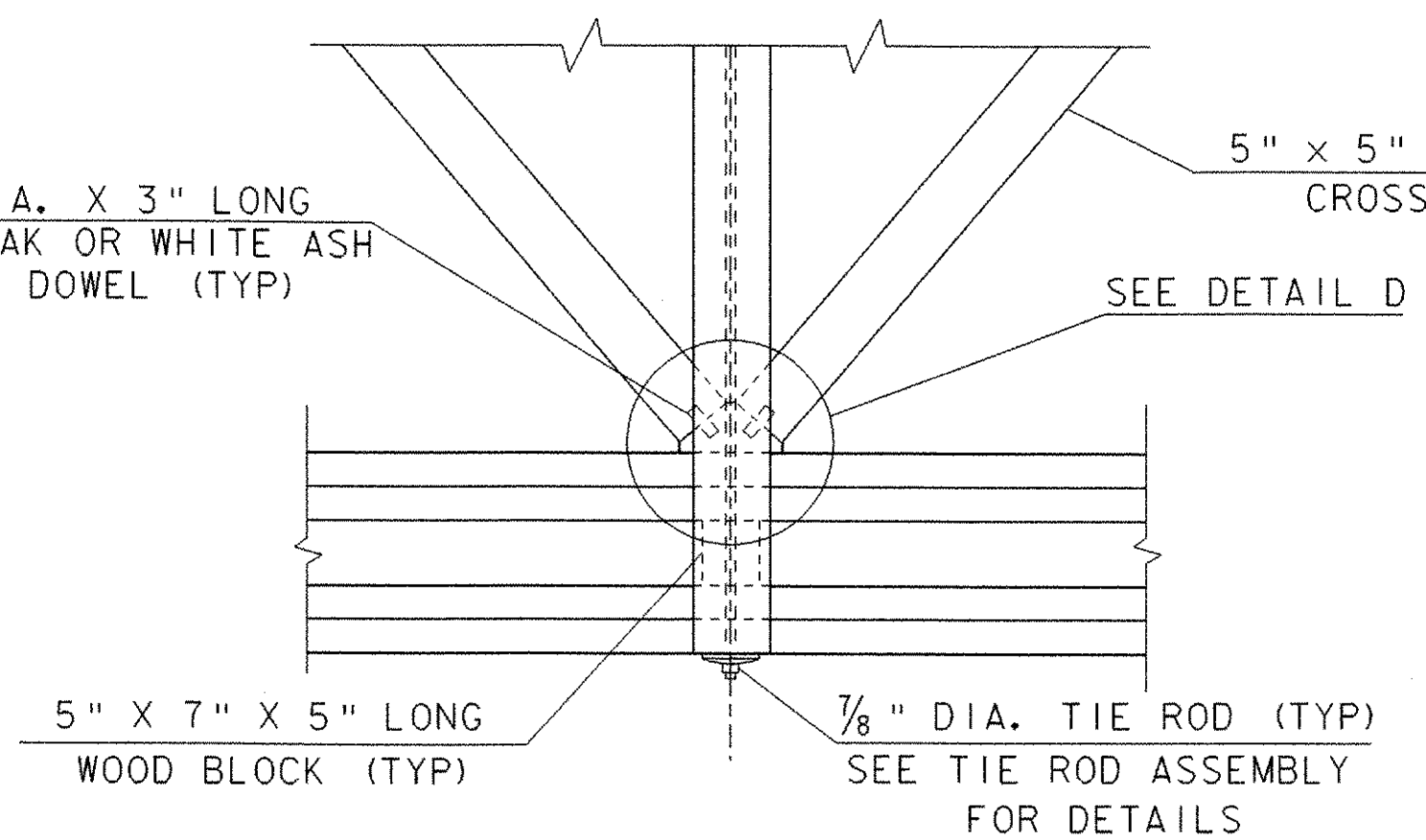


FLOOR FRAMING PLAN

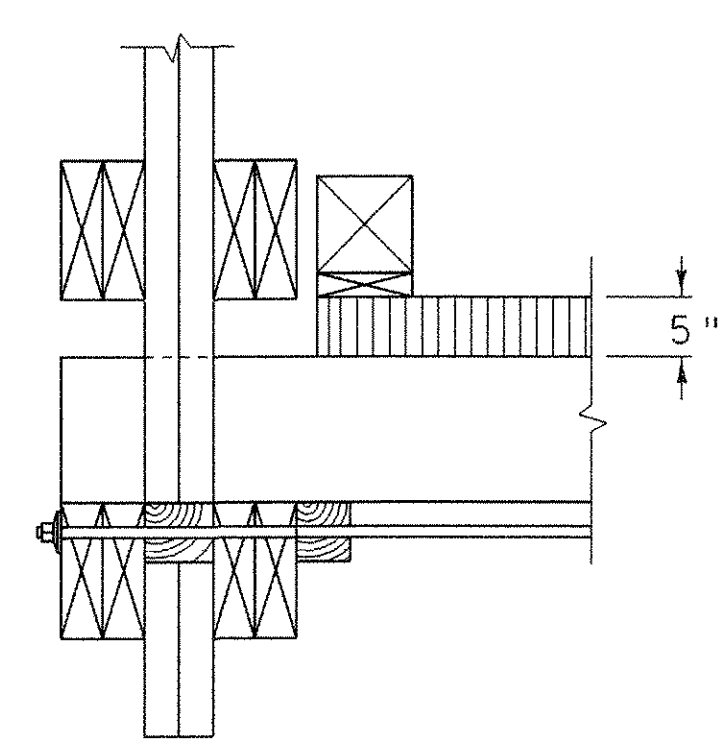
SCALE: 3/16" = 1'-0"



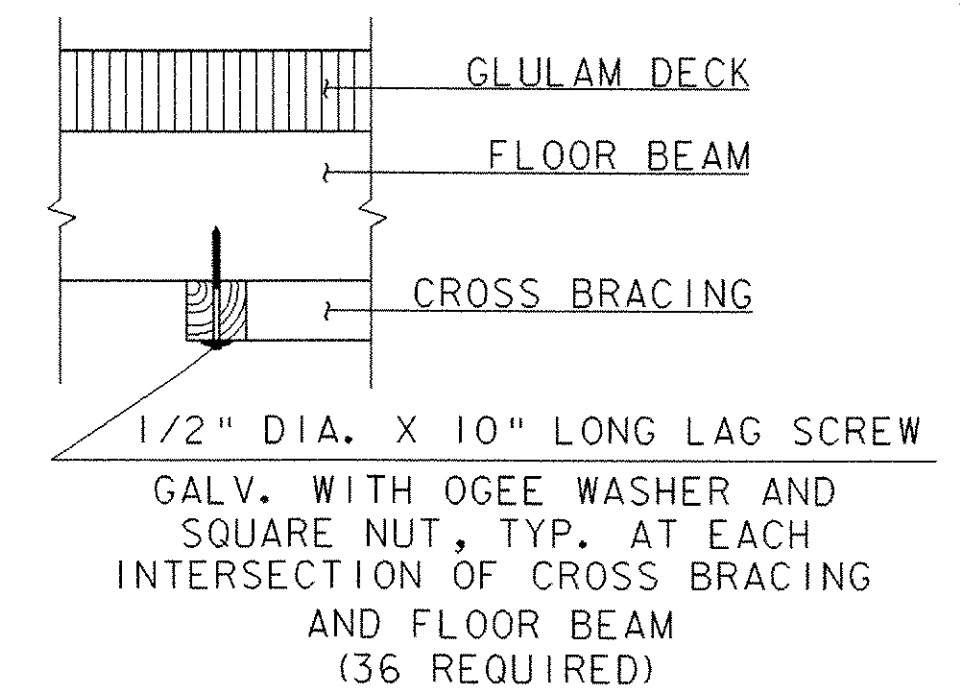
DETAIL A
SCALE: 3/4" = 1'-0"



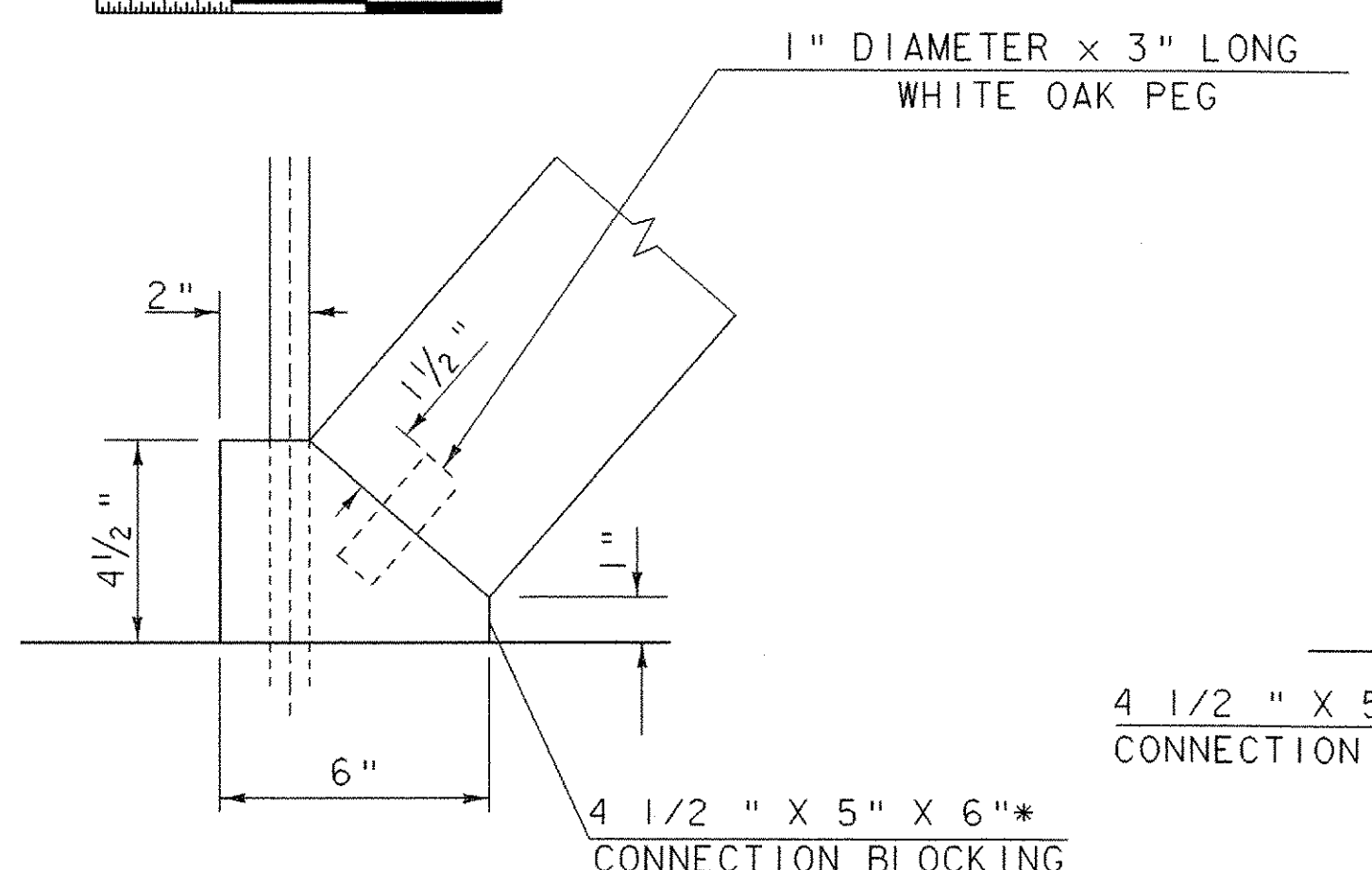
DETAIL B
SCALE: 3/4" = 1'-0"



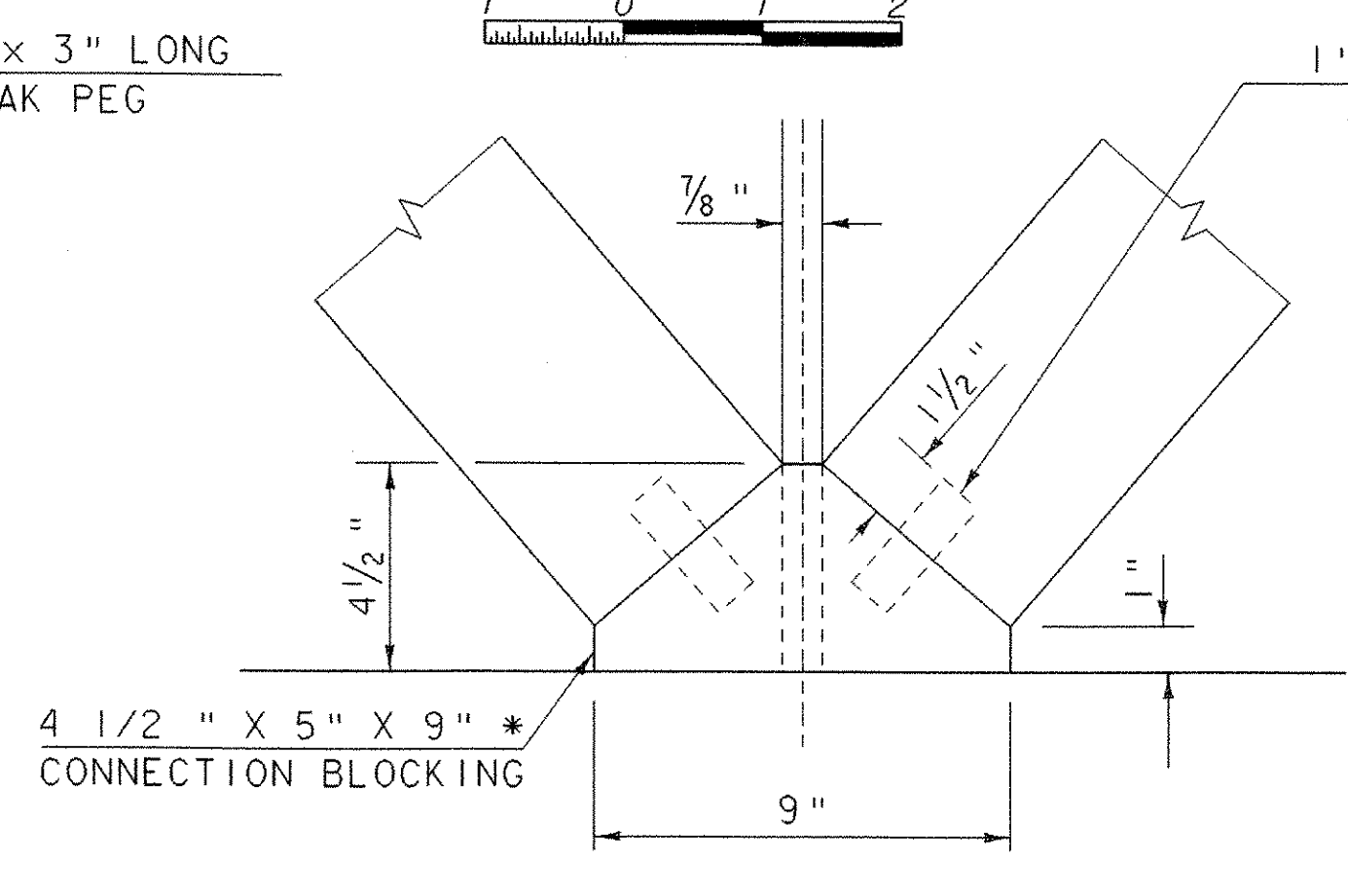
SECTION A-A
SCALE: 3/4" = 1'-0"



SECTION B-B
SCALE: 3/4" = 1'-0"

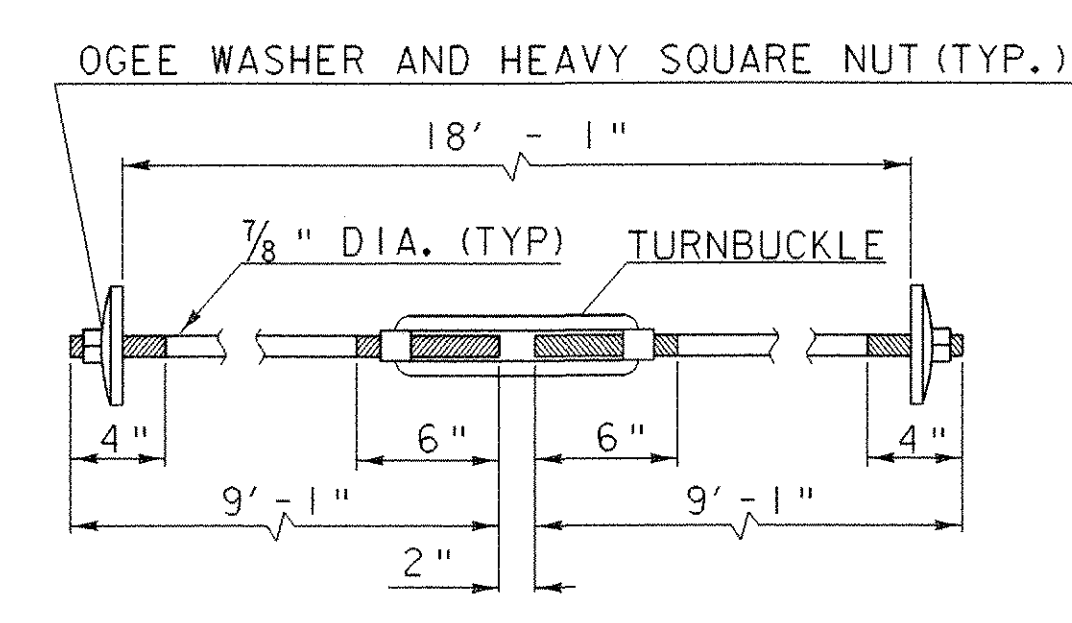


DETAIL C
SCALE: 3" = 1'-0"

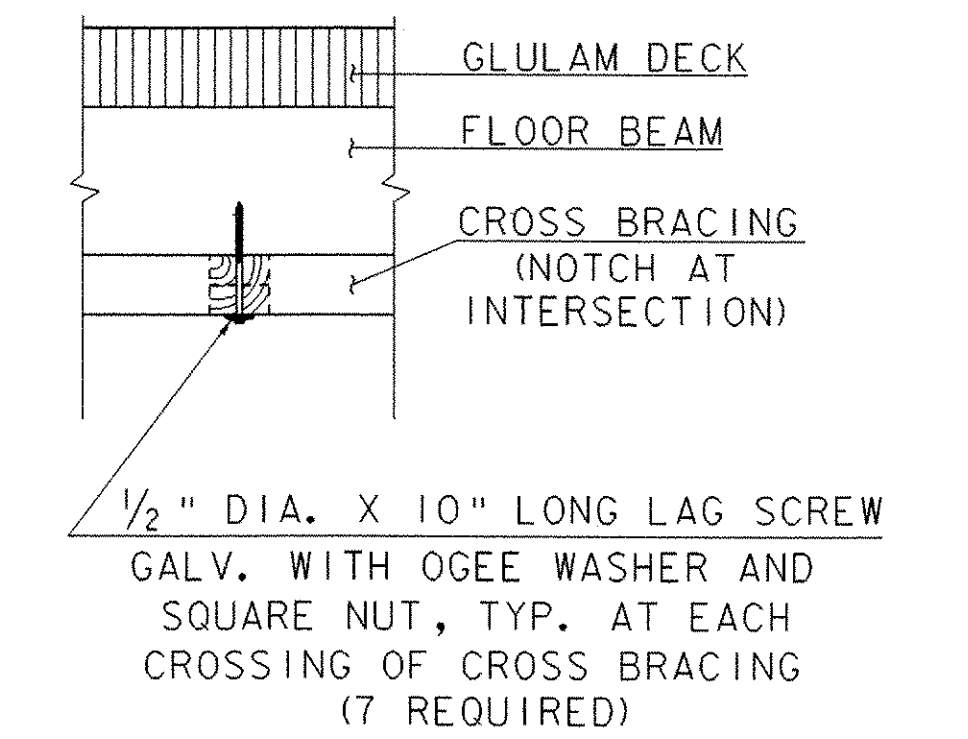


DETAIL D
SCALE: 3" = 1'-0"

DETAILS C & D
NOTE: FLOOR BEAM NOT SHOWN FOR CLARITY



TIE ROD ASSEMBLY
(GALVANIZED) (8 REQUIRED)
SCALE: 1/2" = 1'-0"



SECTION C-C
SCALE: 3/4" = 1'-0"

BOTTOM CORD CROSS BRACING DETAILS

* 7" x 3/8" DIA. GALVANIZED LAG SCREWS CAN BE USED TO HOLD CONNECTION IN PLACE DURING CROSS BRACING INSTALLATION.

FLOOR FRAMING PLAN

PROJECT NAME:	WEATHERSFIELD	PLOT DATE:	I5-MAR-2007
PROJECT NUMBER:	BHO 1442(29)	DRAWN BY:	J. SALVATORI
FILE NAME:	/96j234/str/s96j234r fp.dgn	DESIGNED BY:	T. FILLBACH
PROJECT LEADER:	W. SYMONDS	CHECKED BY:	T. SUMNER
DESIGNED BY:	T. FILLBACH	SHEET	38 OF 60