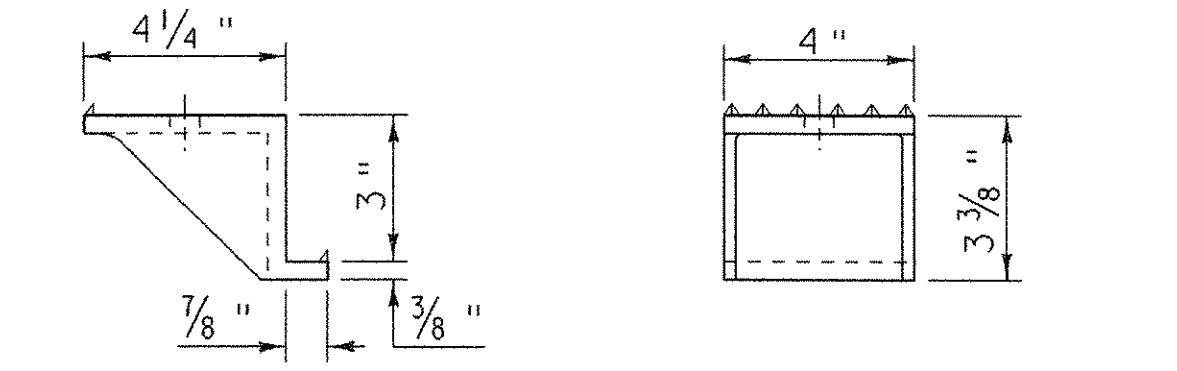


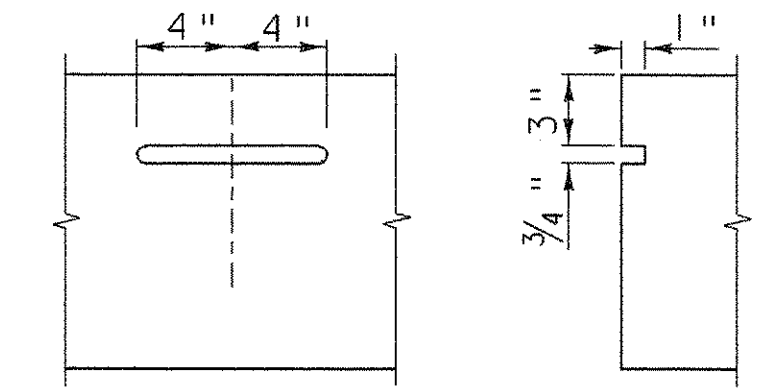
DECK AND CURB PLAN

SCALE: 3/16" = 1'-0"



ALUMINUM DECK BRACKET *

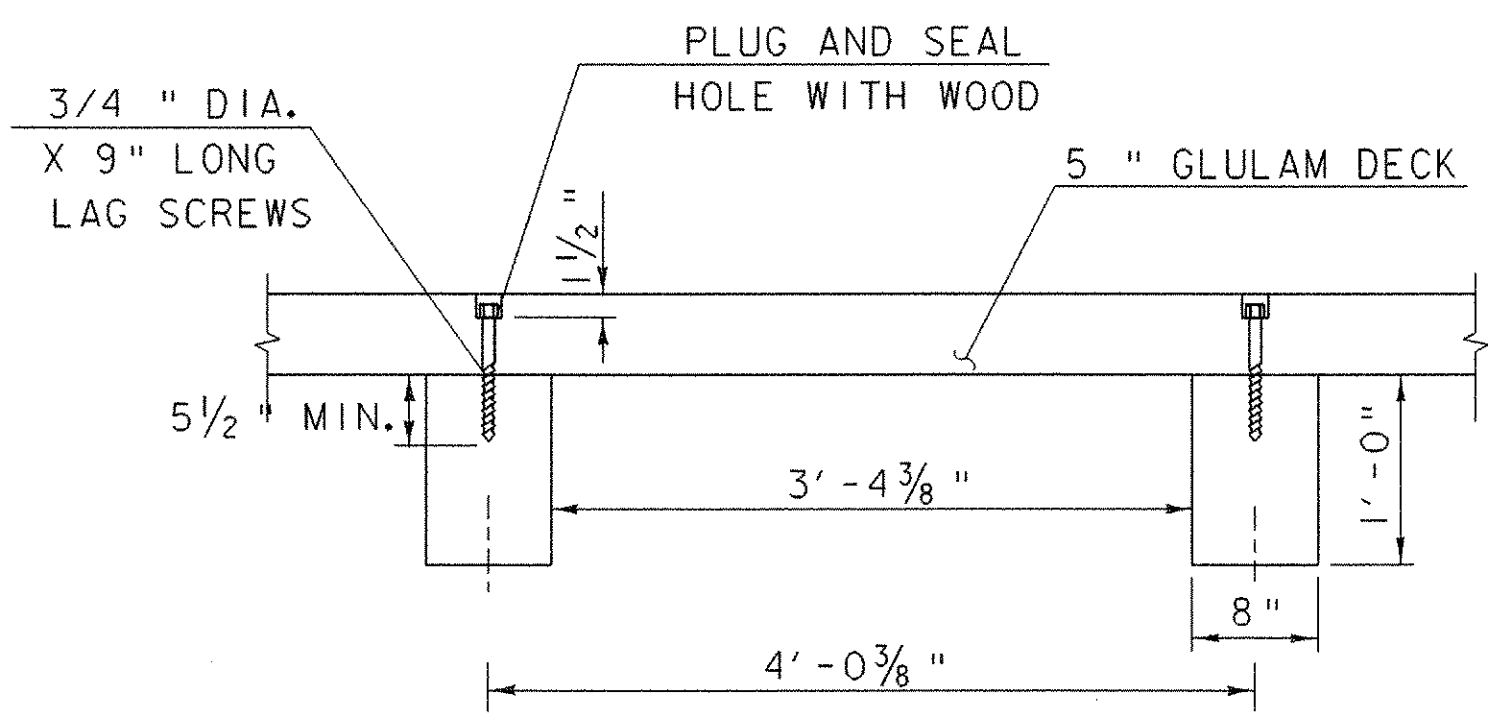
SCALE: 3" = 1'-0"



FLOOR BEAM DAP DETAIL *

SCALE 1 1/2" = 1'-0"

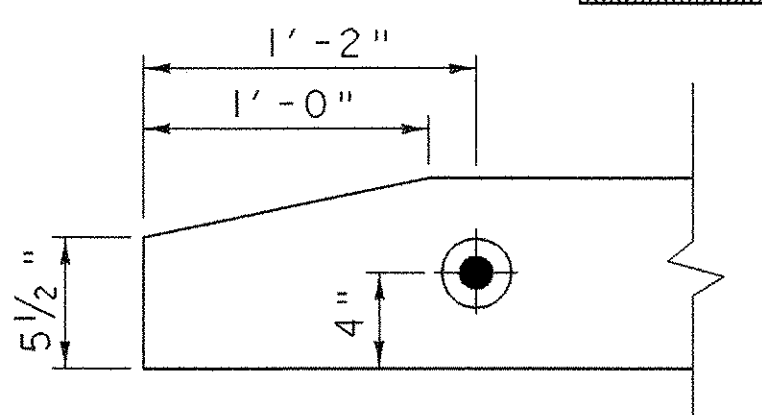
* NOTE: DIMENSIONS OF DECK BRACKET AND FLOOR BEAM DAP MAY VARY DUE TO GLULAM DECK SUPPLIER.



SECTION A-A

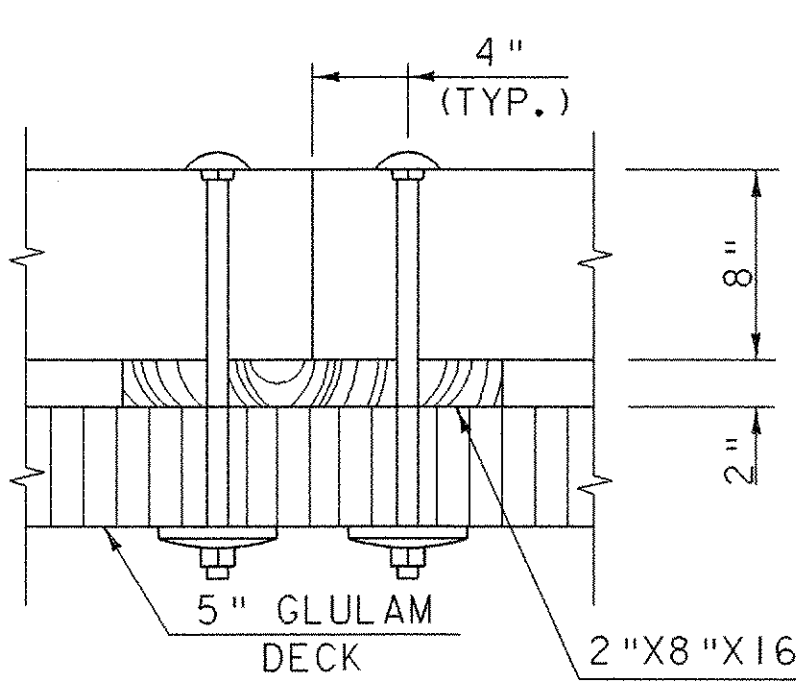
GLULAM DECK

SCALE 1" = 1'-0"



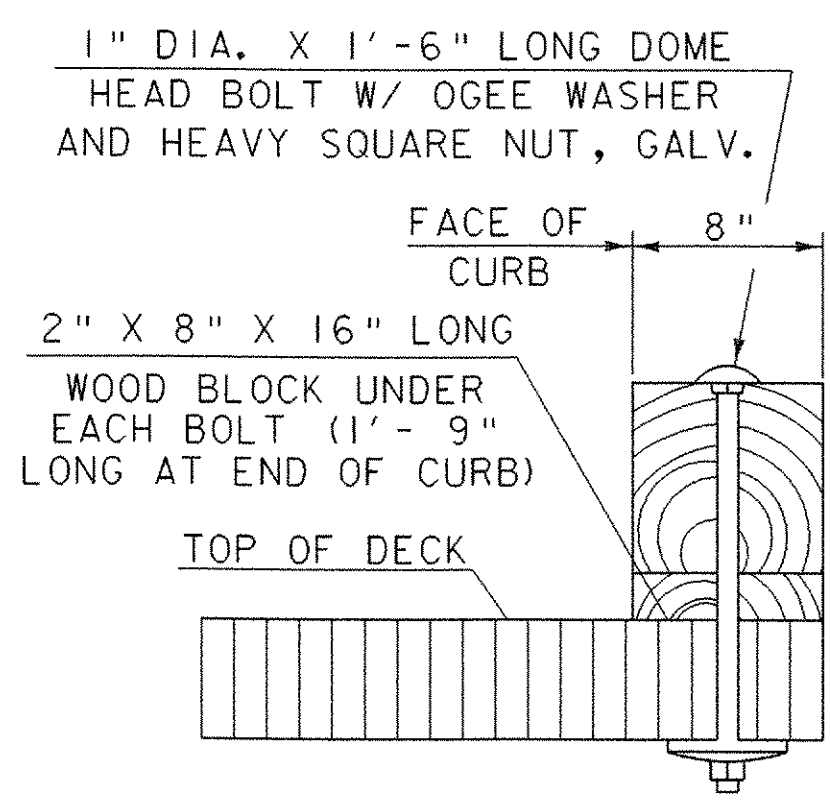
CURB END TAPER

SCALE: 1 1/2" = 1'-0"



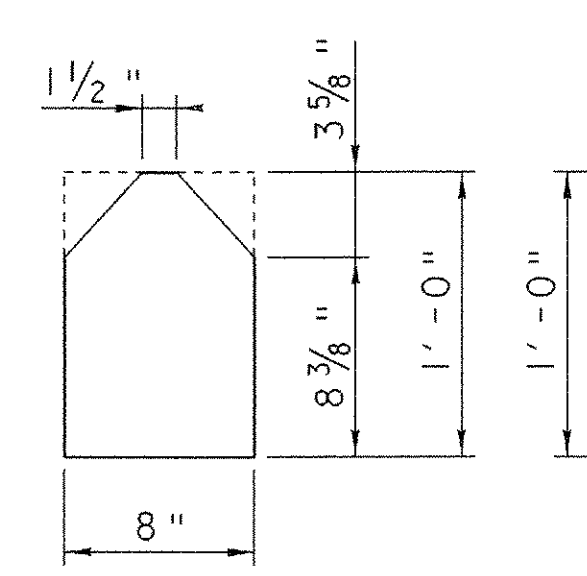
CURB SPLICE

SCALE: 1 1/2" = 1'-0"



CURB CONNECTION SECTION VIEW

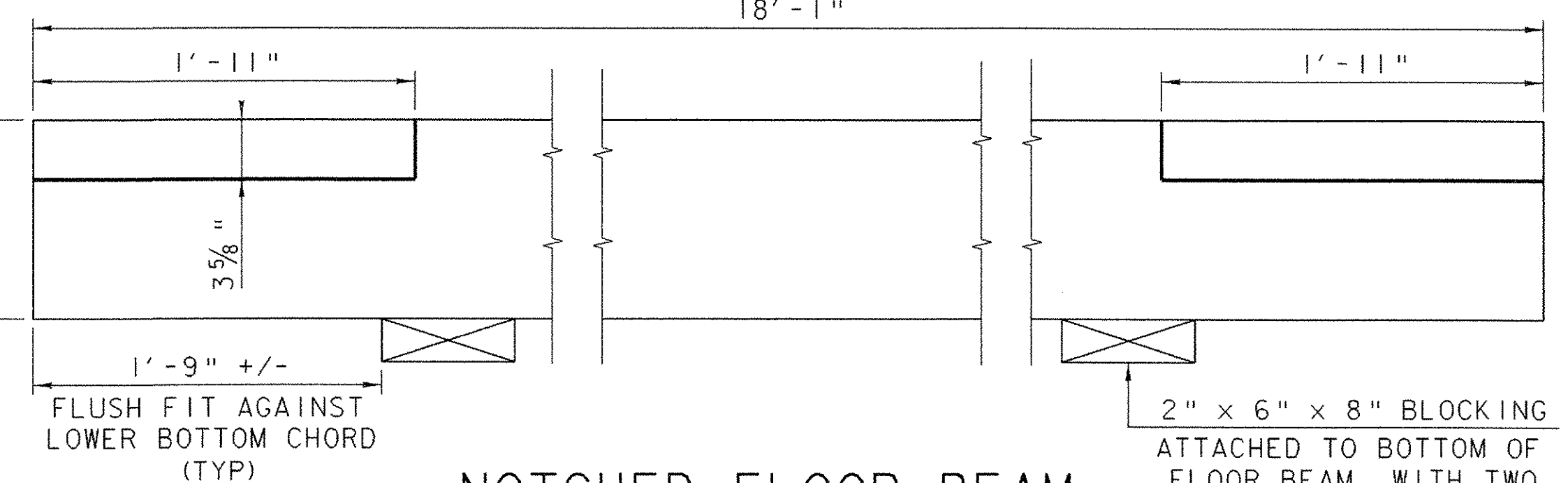
SCALE: 1 1/2" = 1'-0"



NOTCHED FLOOR BEAM

END SECTION

SCALE 1 1/2" = 1'-0"

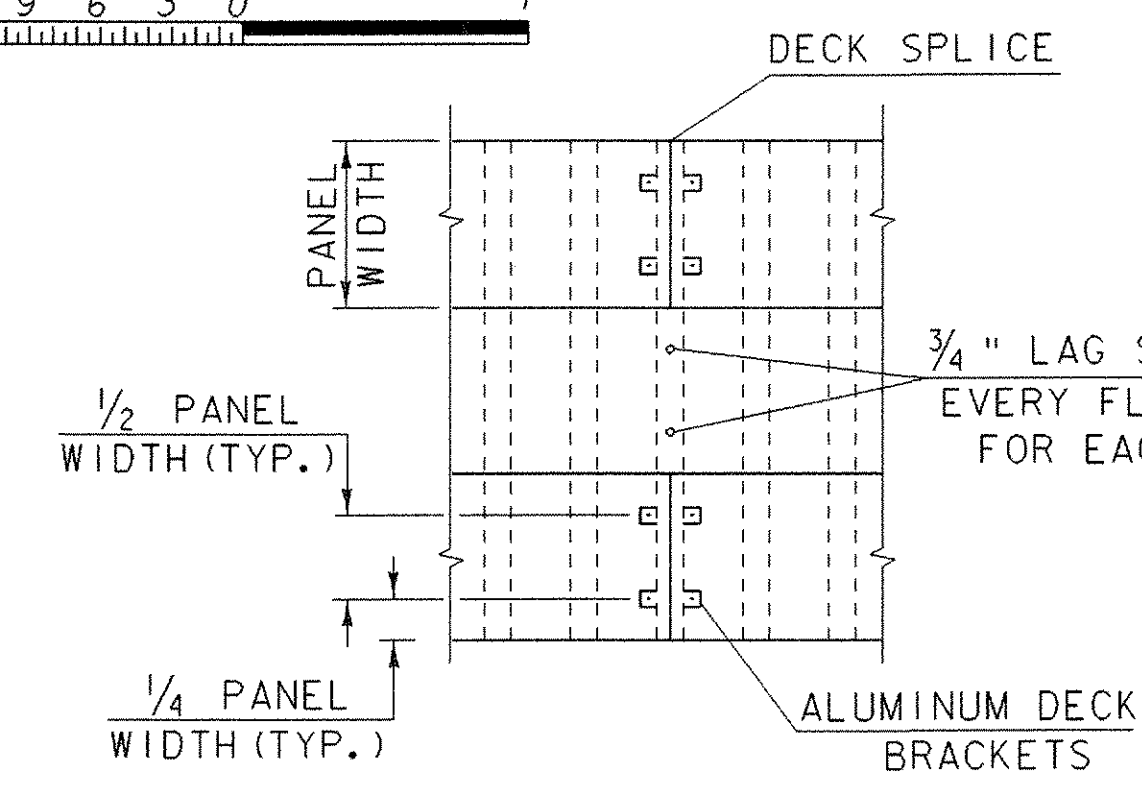


NOTCHED FLOOR BEAM

(29 REQUIRED)

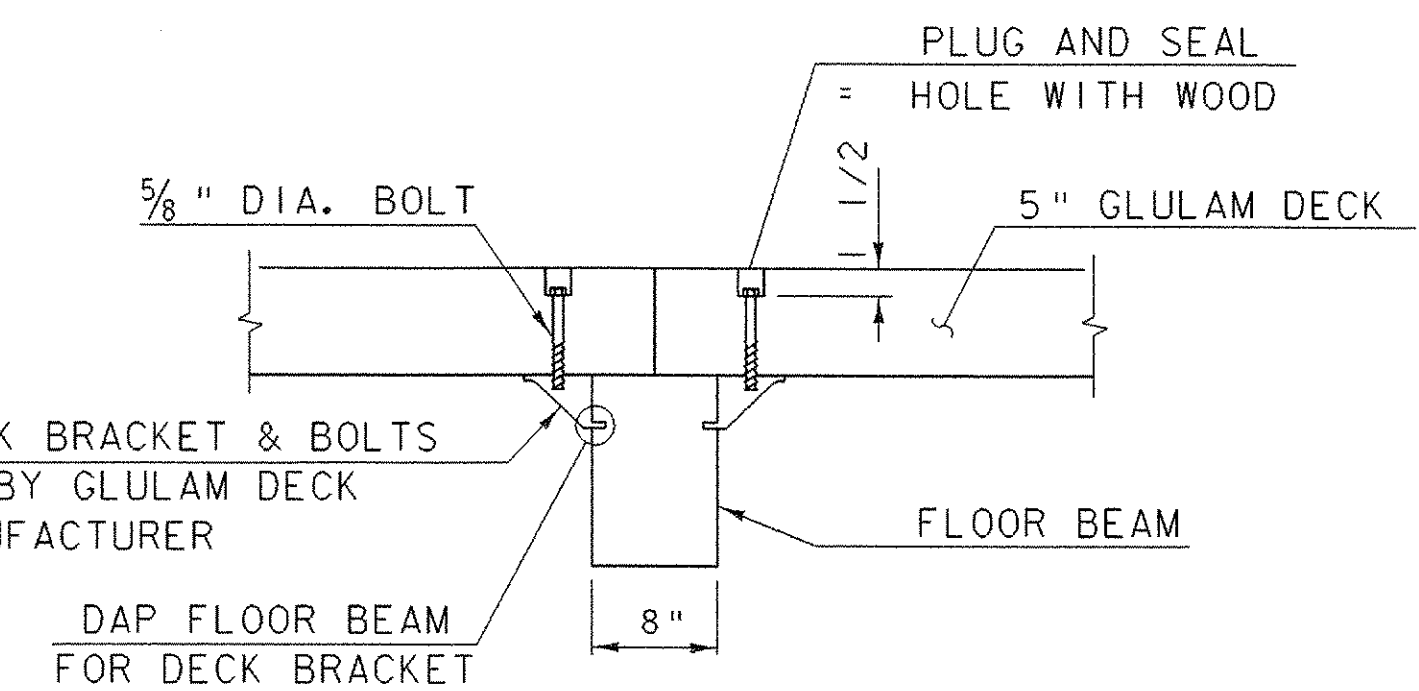
SCALE 1 1/2" = 1'-0"

2" x 6" x 8" BLOCKING ATTACHED TO BOTTOM OF FLOOR BEAM, WITH TWO 1/2" DIA. GALVANIZED LAG SCREWS (TYP)



DECK PANEL SPLICE DETAIL

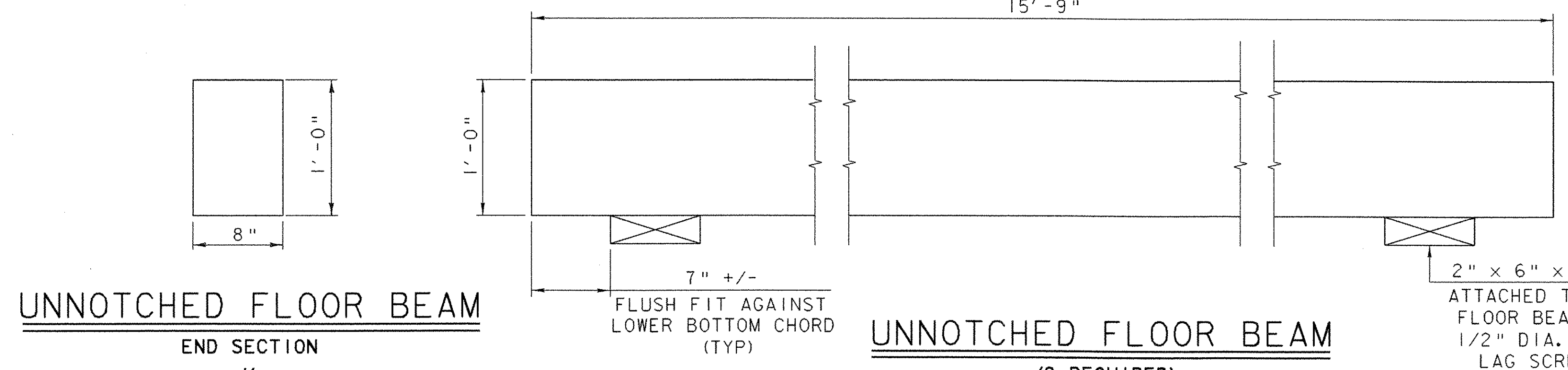
NOT TO SCALE



SECTION B-B

PANEL SPLICE AT FLOOR BEAM

SCALE 1" = 1'-0"



UNNOTCHED FLOOR BEAM

END SECTION

SCALE 1 1/2" = 1'-0"

UNNOTCHED FLOOR BEAM

(8 REQUIRED)

SCALE 1 1/2" = 1'-0"

2" x 6" x 8" BLOCKING ATTACHED TO BOTTOM OF FLOOR BEAM, WITH TWO 1/2" DIA. GALVANIZED LAG SCREWS (TYP)

CURB SPLICE PLAN DETAIL

SCALE: 1/2" = 1'-0"

GLULAM DECK PLAN

PROJECT NAME: WEATHERSFIELD	PLOT DATE: 15-MAR-2007
PROJECT NUMBER: BHO 1442(29)	DRAWN BY: J. SALVATORI
FILE NAME: /96J234/str/s96J234rfp.dgn	CHECKED BY: T. SUMNER
PROJECT LEADER: W. SYMONDS	SHEET 37 OF 60
DESIGNED BY: T. FILLBACH	
sj234dfr.i	