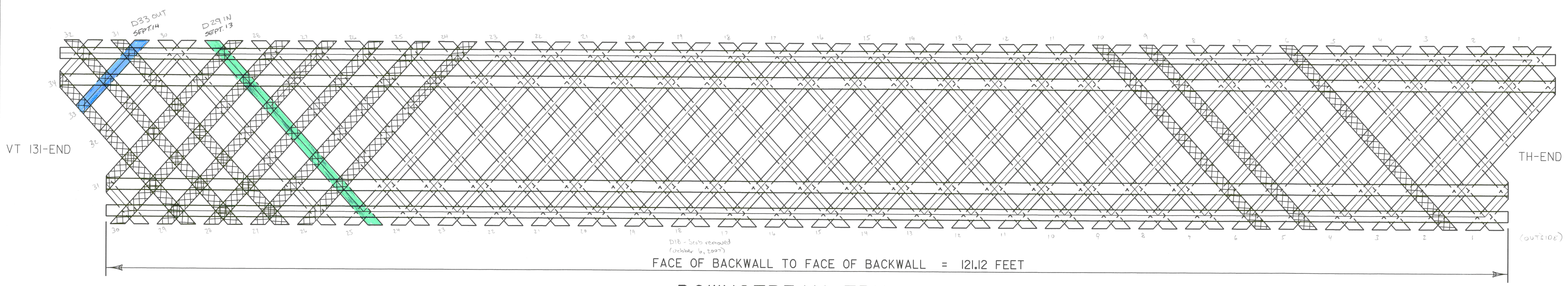


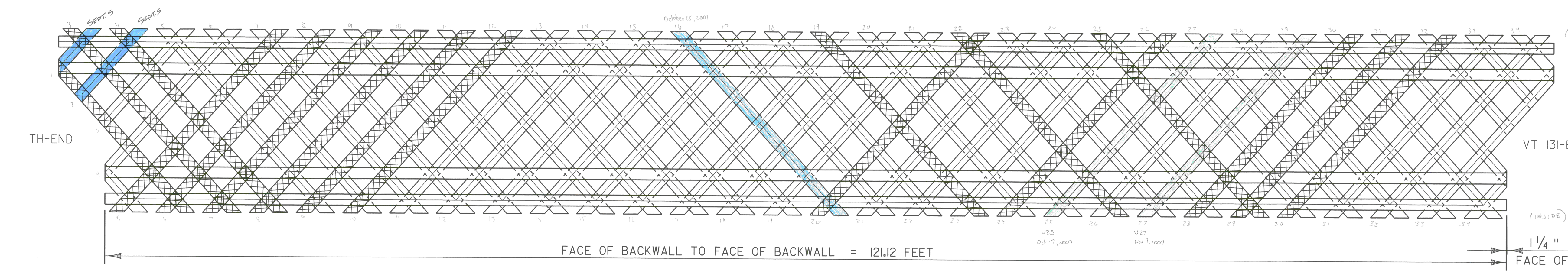
ADDITIONAL PIECES IDENTIFIED WITH SIGNIFICANT DRY ROT  
 ADDITIONAL PIECES SPLIT ENDS AND/OR SIGNIFICANT SECTION LOST



**DOWNSTREAM TRUSS**

SCALE: 3/16" = 1'-0"  
 (LOOKING FROM CL OF BRIDGE)

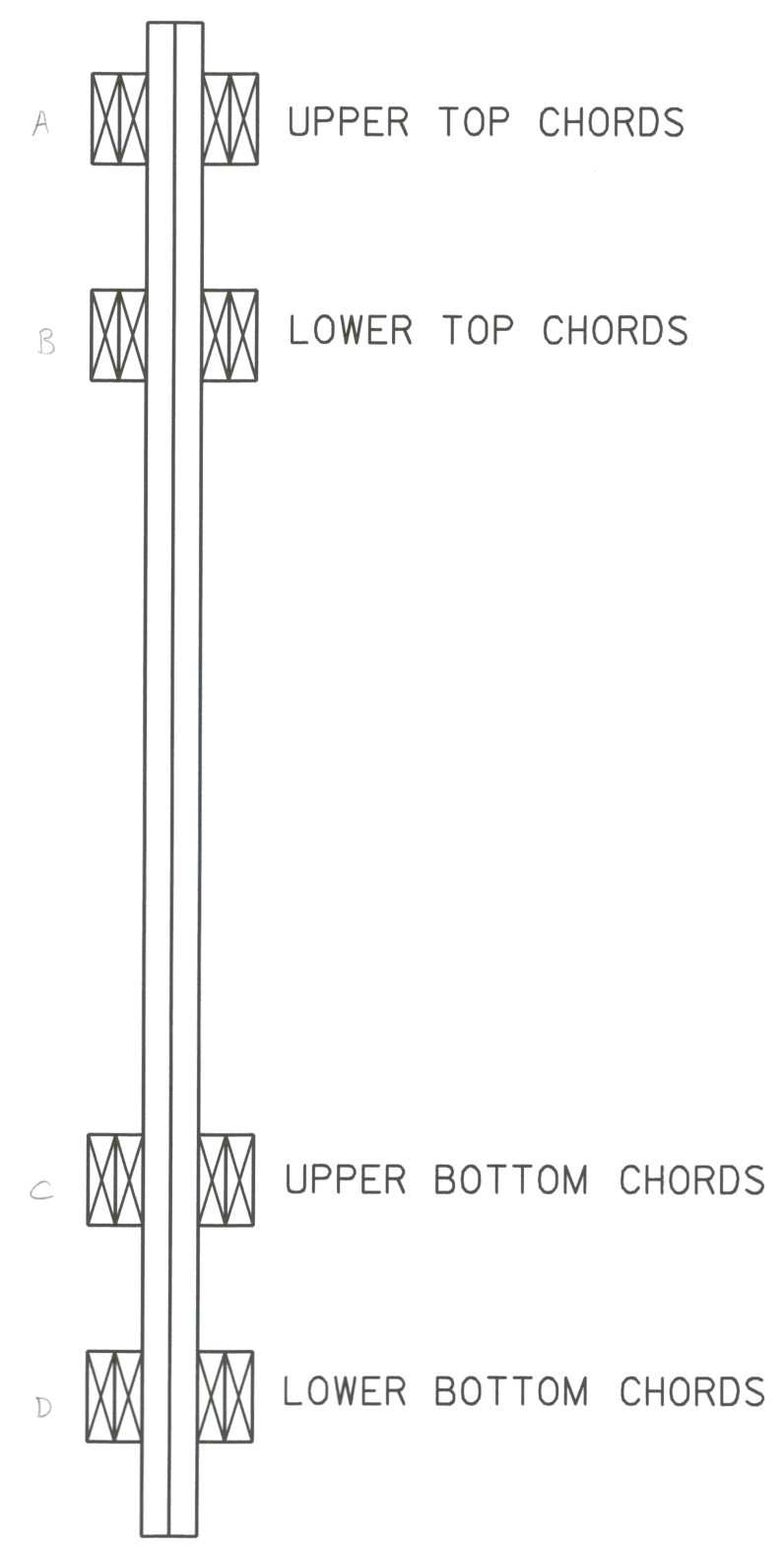
STATIONING



**UPSTREAM TRUSS**

SCALE: 3/16" = 1'-0"  
 (LOOKING FROM CL OF BRIDGE)

STATIONING



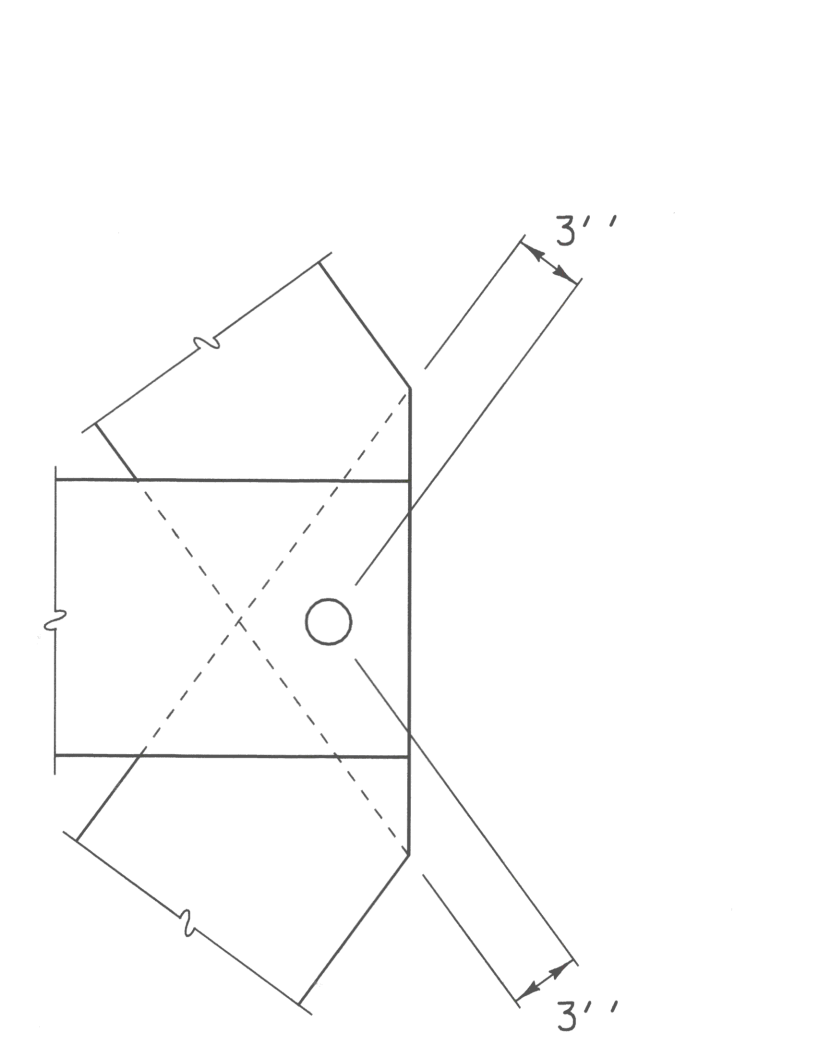
**TYPICAL SECTION**

NOT TO SCALE

1 1/4"  
 FACE OF BACKWALL  
 TO END OF  
 LOWER CHORD (TYP)

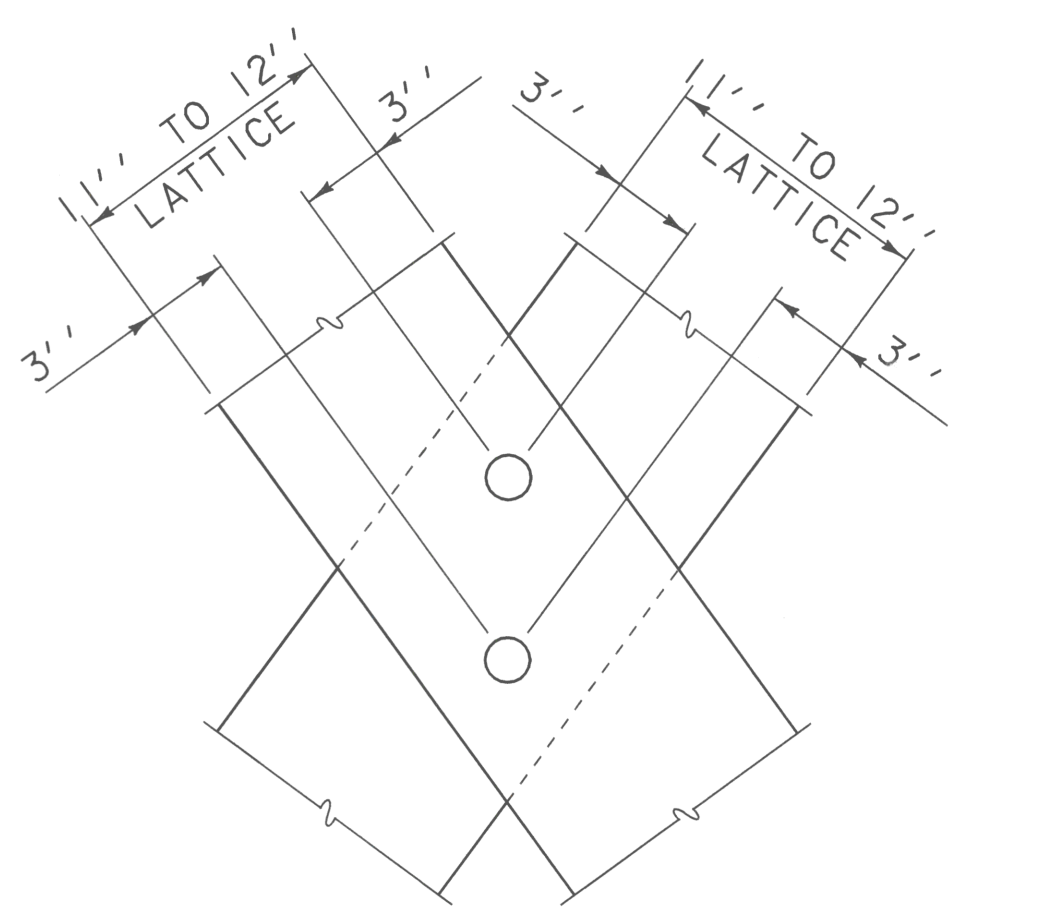
**NOTES FOR NEW TRUNNEL CONNECTIONS:**

1. HOLE POSITION IN GROUP TO BE AS INDICATED.
2. MINIMUM EDGE DISTANCE IN 4 TRUNNEL CHORD CONNECTION = 1 1/2".  
 MINIMUM EDGE DISTANCE IN 3 TRUNNEL CHORD CONNECTION = 2".  
 MINIMUM EDGE DISTANCE IN LATTICE CONNECTION = 2".  
 MINIMUM END DISTANCE = 13".  
 MINIMUM EDGE DISTANCE BETWEEN HOLES = 2 1/2".
3. A MINIMUM OF 1/3 TRUNNELS IN EACH CONNECTION TO BE DRIVEN FROM OPPOSITE SIDES.
4. TRUNNELS WILL BE 2" DIAMETER WHITE OAK OR WHITE ASH



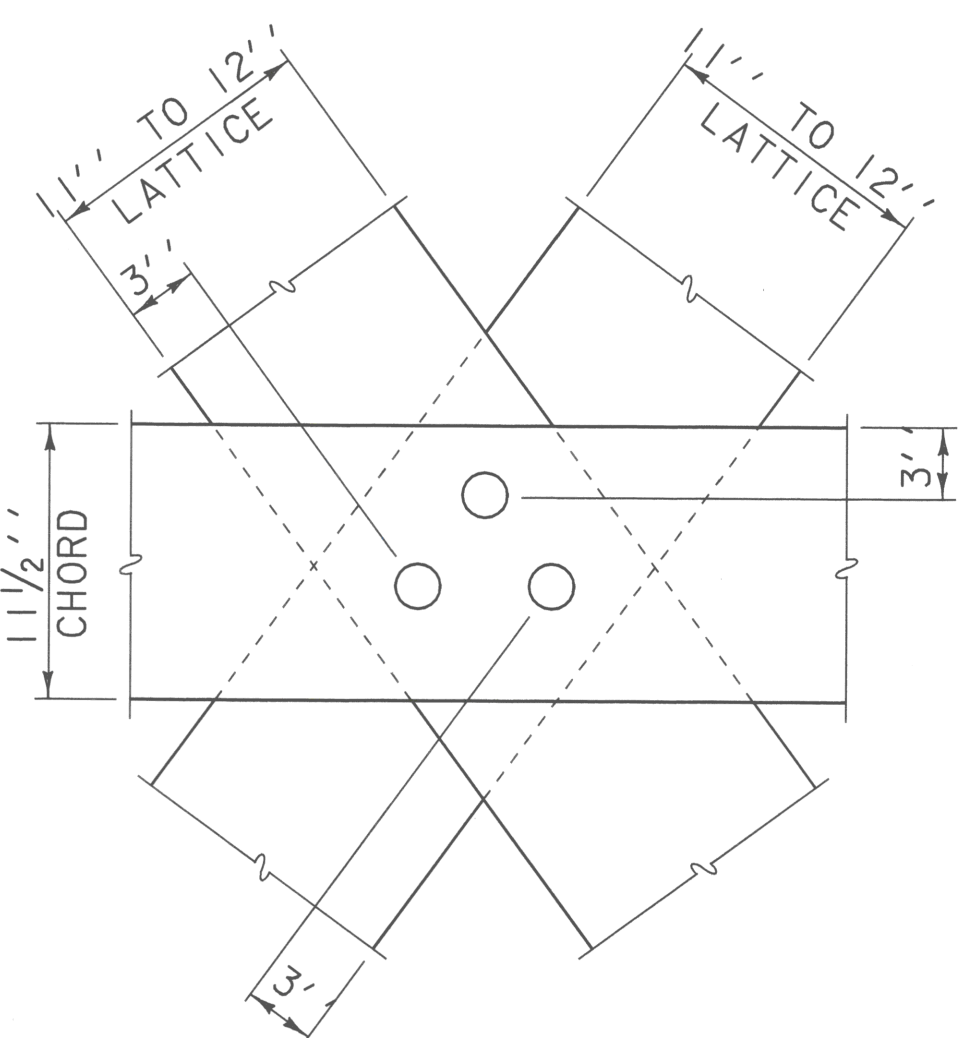
LATTICE TO CHORD  
 END CONNECTION  
 (ONE TRUNNEL)

SCALE 1 1/2" = 1'-0"  
 1 9 6 3 0 1



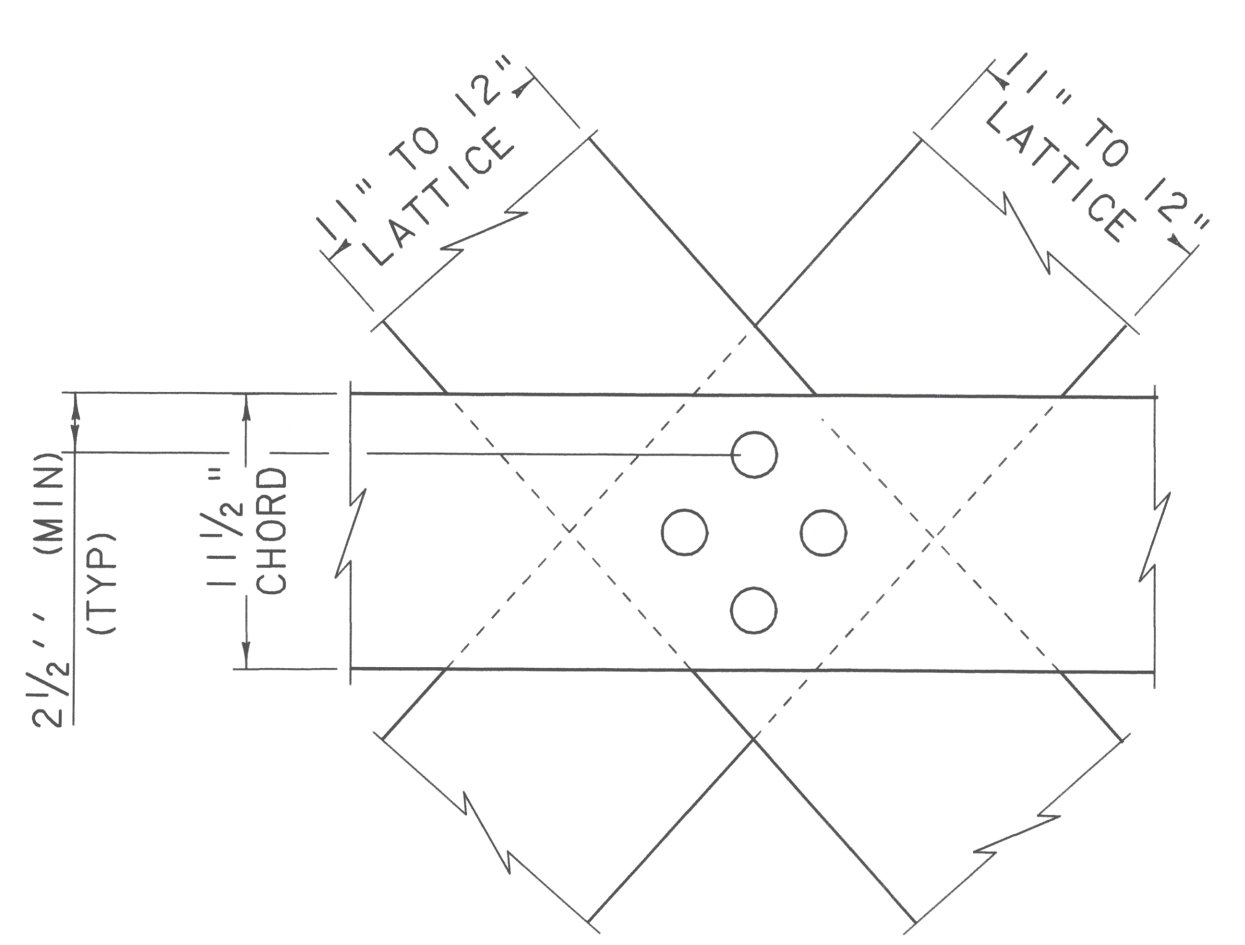
LATTICE TO LATTICE  
 2 TRUNNEL CONNECTION

SCALE 1 1/2" = 1'-0"  
 1 9 6 3 0 1



LATTICE TO CHORD  
 3 TRUNNEL CONNECTION  
 (FOR TOP AND UPPER BOTTOM CHORDS)

SCALE 1 1/2" = 1'-0"  
 1 9 6 3 0 1



LATTICE TO CHORD  
 4 TRUNNEL CONNECTION  
 (FOR LOWER BOTTOM CHORD)

SCALE 1 1/2" = 1'-0"  
 1 9 6 3 0 1

**LATTICE TRUSS ELEVATIONS & TRUNNEL CONNECTION DETAILS**

PROJECT NAME: WEATHERSFIELD	PLOT DATE: 17-SEP-2007
PROJECT NUMBER: BHO 1442(29)	DRAWN BY: J. SALVATORI
FILE NAME: /96J234/str/s96J234rfp.dgn	CHECKED BY: T. SUMNER
PROJECT LEADER: W. SYMONDS	SHEET 32 <b>B</b> OF 60
DESIGNED BY: T. FILLBACH	
sj2341+d.1	