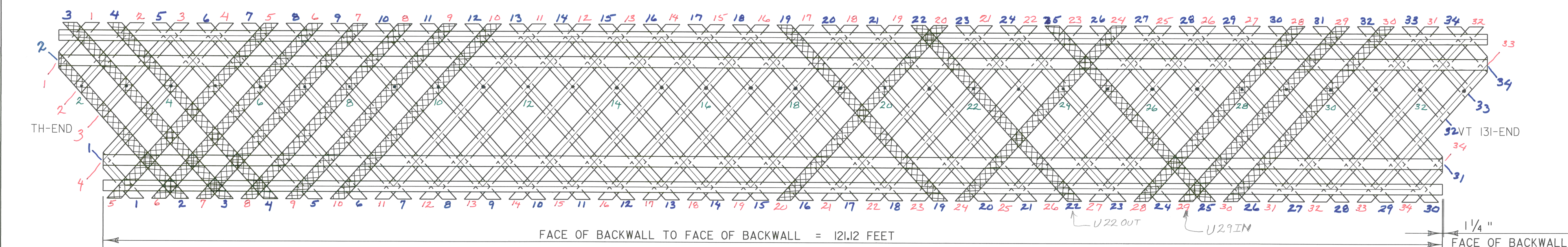


CROSSHATCHING DENOTES MEMBER PREDETERMINED TO BE REPLACED. ADDITIONAL MEMBERS MAY BE REQUIRED TO BE REPLACED. SEE GENERAL NOTE 12.

**DOWNSTREAM TRUSS**

SCALE: 3/16" = 1'-0"  
(LOOKING FROM C OF BRIDGE)

STATIONING

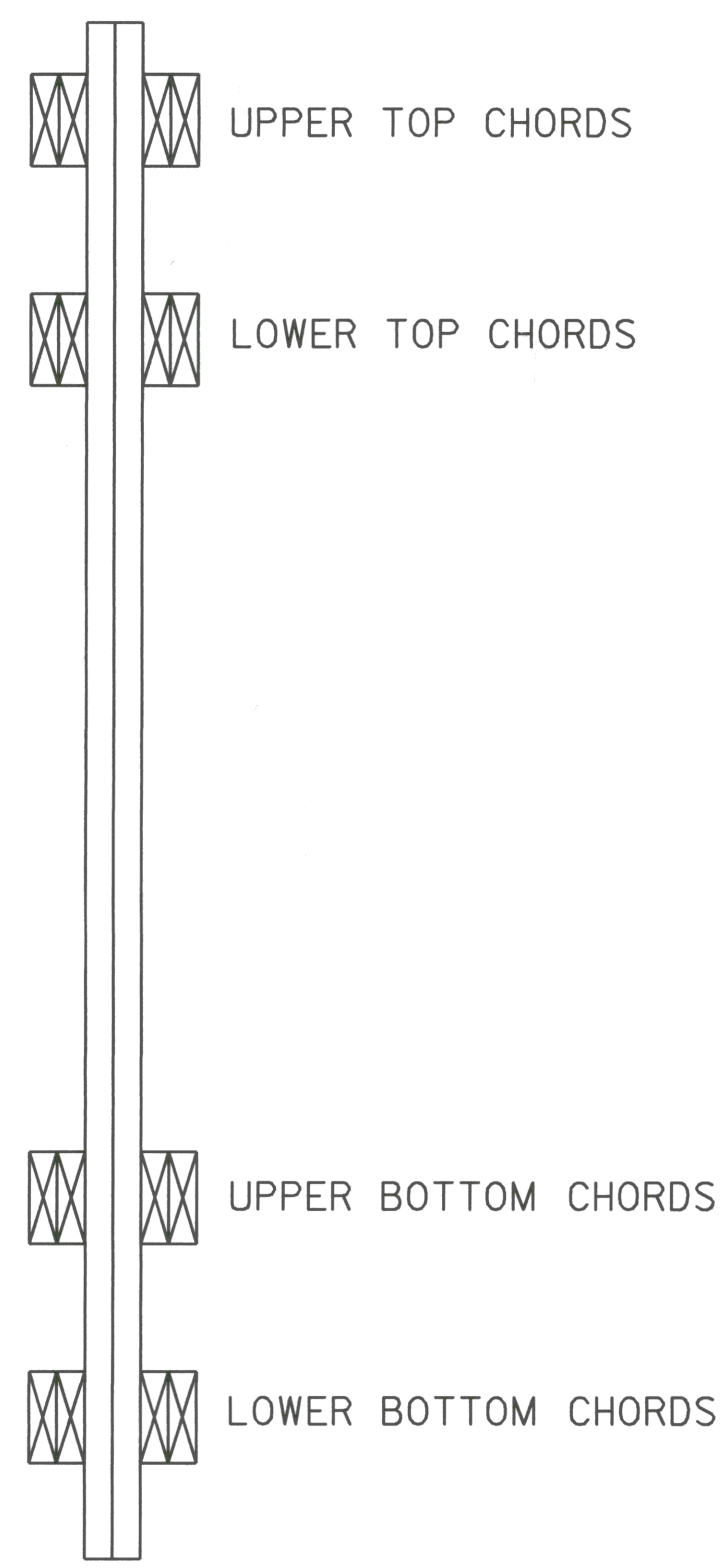


**UPSTREAM TRUSS**

SCALE: 3/16" = 1'-0"  
(LOOKING FROM C OF BRIDGE)

STATIONING

XX = INSIDE DIAGONALS  
 XX = OUTSIDE DIAGONALS  
 U = UPSTREAM  
 D = DOWNSTREAM

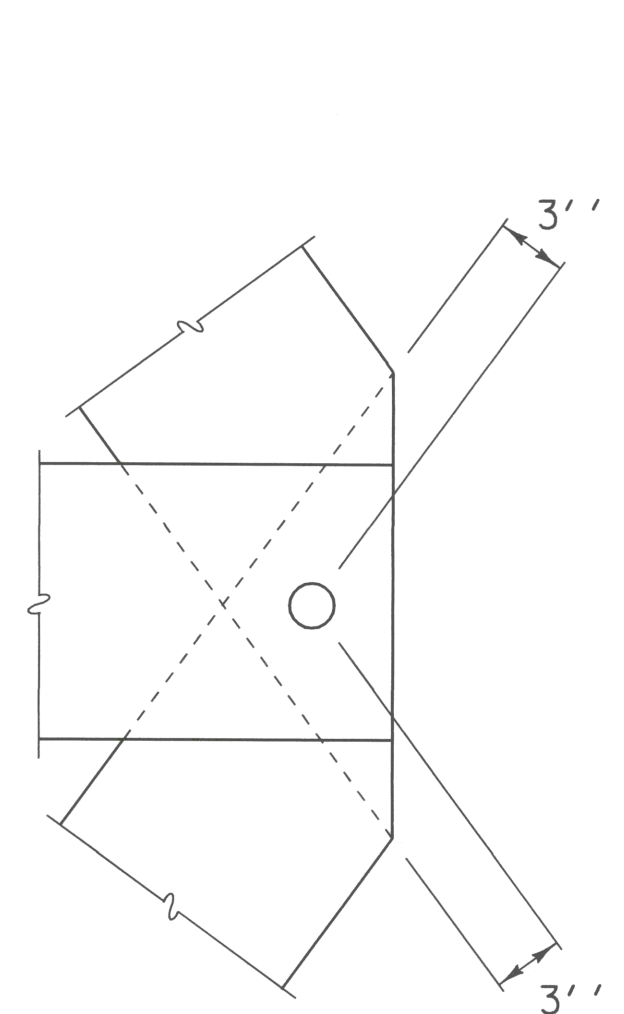


**TYPICAL SECTION**

NOT TO SCALE

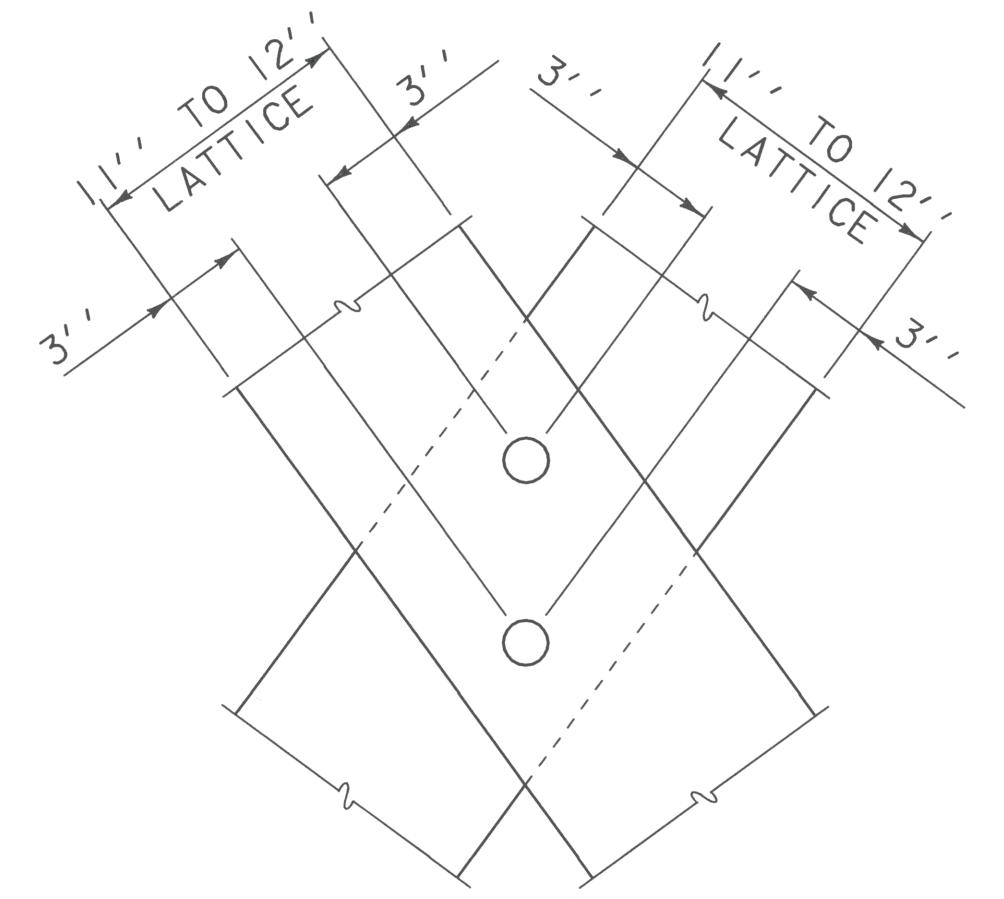
**NOTES FOR NEW TRUNNEL CONNECTIONS:**

- HOLE POSITION IN GROUP TO BE AS INDICATED.
- MINIMUM EDGE DISTANCE IN 4 TRUNNEL CHORD CONNECTION = 1 1/2".  
 MINIMUM EDGE DISTANCE IN 3 TRUNNEL CHORD CONNECTION = 2".  
 MINIMUM EDGE DISTANCE IN LATTICE CONNECTION = 2".  
 MINIMUM END DISTANCE = 13".  
 MINIMUM EDGE DISTANCE BETWEEN HOLES = 2 1/2".
- A MINIMUM OF 1/3 TRUNNELS IN EACH CONNECTION TO BE DRIVEN FROM OPPOSITE SIDES.
- TRUNNELS WILL BE 2" DIAMETER WHITE OAK OR WHITE ASH



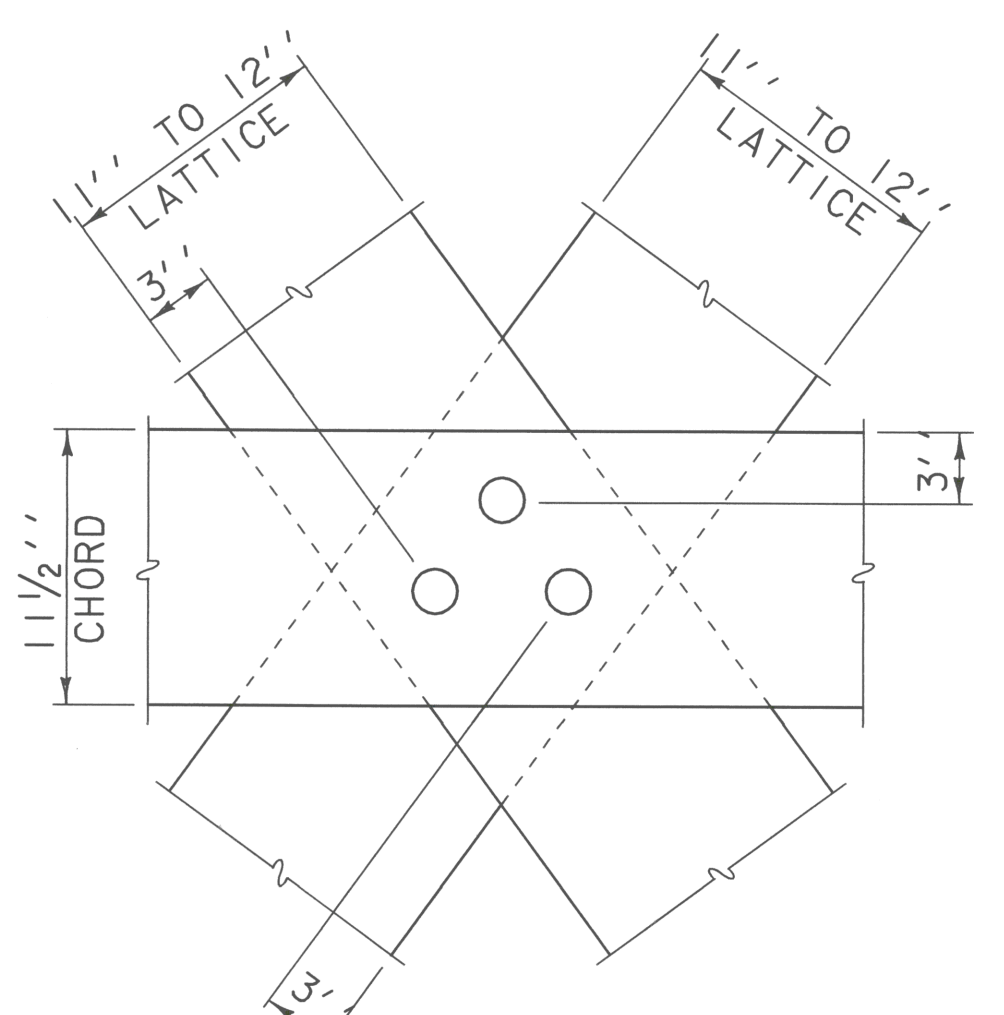
LATTICE TO CHORD  
END CONNECTION  
(ONE TRUNNEL)

SCALE 1 1/2" = 1'-0"  
1 9 6 3 0



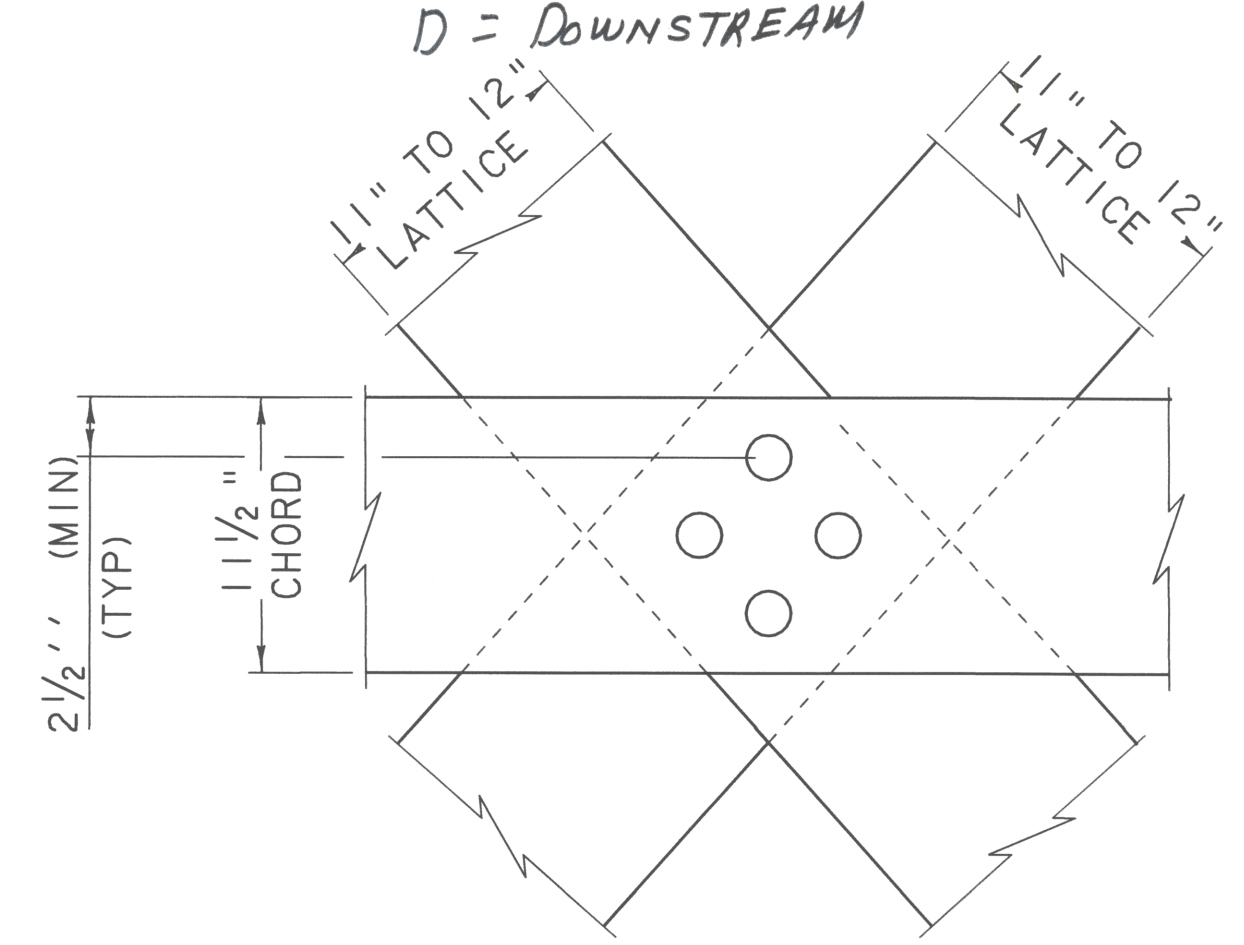
LATTICE TO LATTICE  
2 TRUNNEL CONNECTION

SCALE 1 1/2" = 1'-0"  
1 9 6 3 0



LATTICE TO CHORD  
3 TRUNNEL CONNECTION  
(FOR TOP AND UPPER BOTTOM CHORDS)

SCALE 1 1/2" = 1'-0"  
1 9 6 3 0



LATTICE TO CHORD  
4 TRUNNEL CONNECTION  
(FOR LOWER BOTTOM CHORD)

SCALE 1 1/2" = 1'-0"  
1 9 6 3 0

**LATTICE TRUSS ELEVATIONS & TRUNNEL CONNECTION DETAILS**

PROJECT NAME: WEATHERSFIELD	PLOT DATE: 06-SEP-2007
PROJECT NUMBER: BHO 1442(29)	DRAWN BY: J. SALVATORI
FILE NAME: /96j234/str/s96j234r fp.dgn	CHECKED BY: T. SUMNER
PROJECT LEADER: W. SYMONDS	SHEET 32 OF 60
DESIGNED BY: T. FILLBACH	
sj2341+d.l	