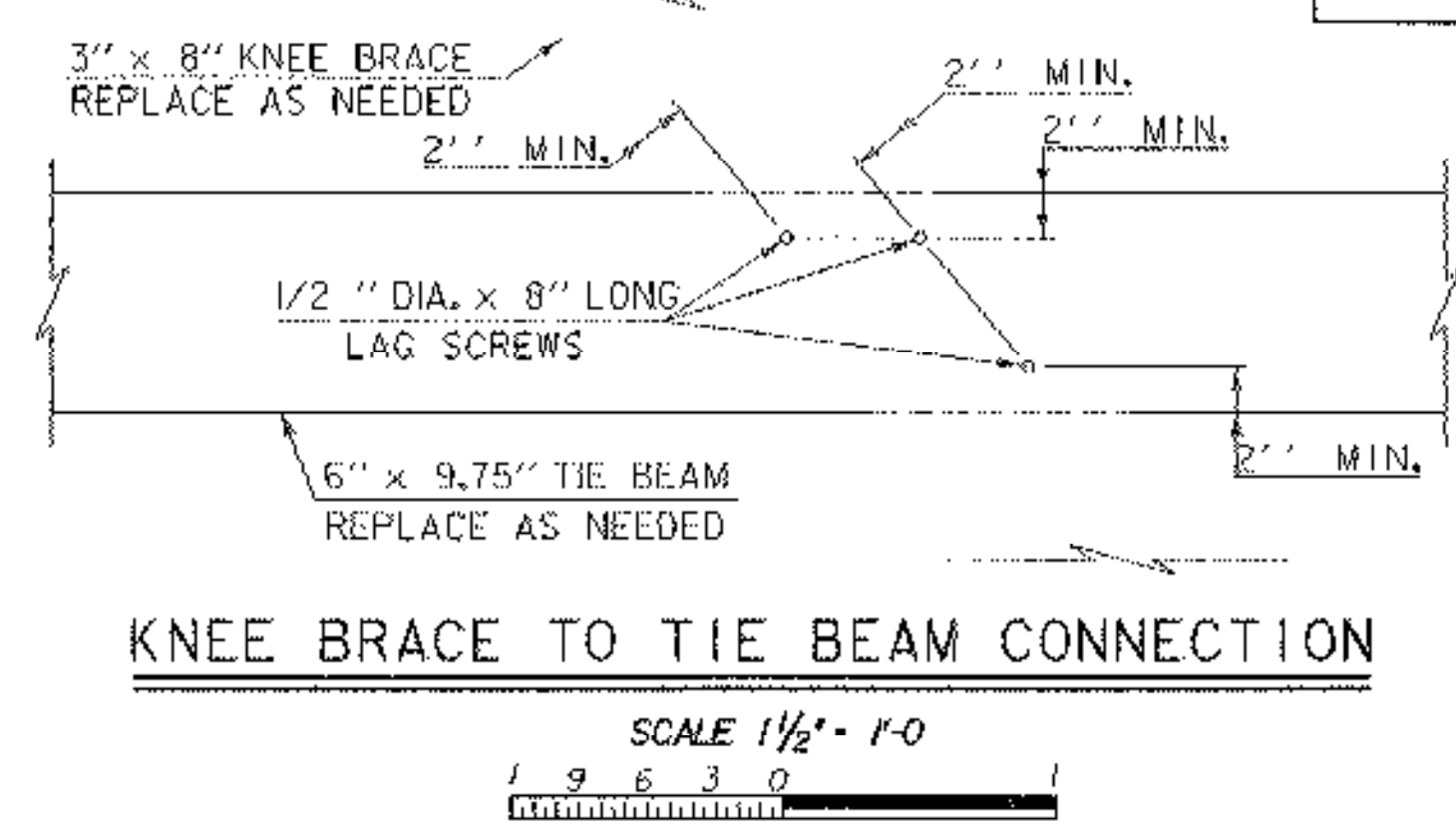


ROOF FRAMING PLAN

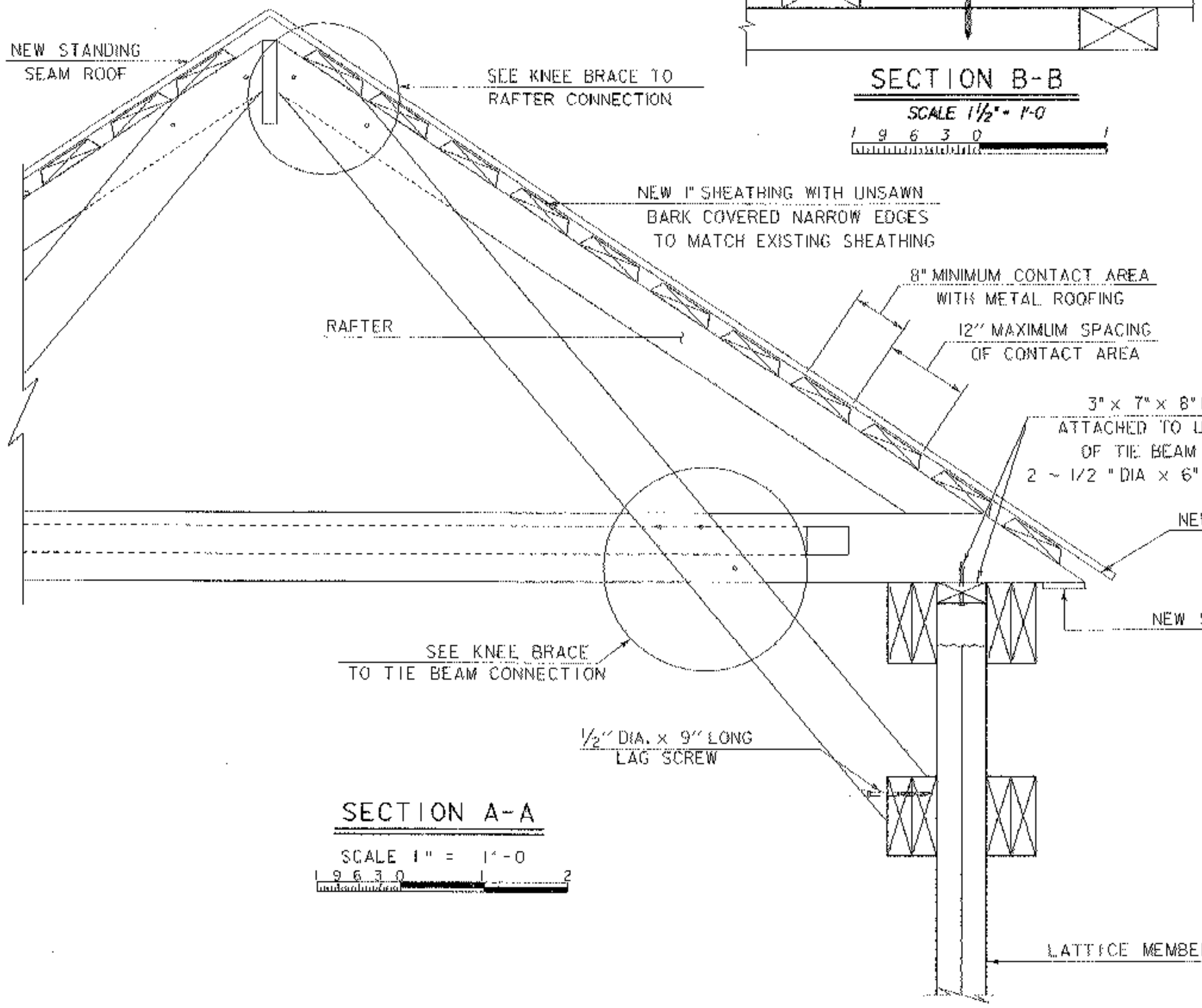
SCALE 1/4" = 1'-0"
1 0 2 4 6

CROSSHATCHING DENOTES MEMBER PREDETERMINED TO BE REPLACED. ADDITIONAL MEMBERS MAY BE REQUIRED TO BE REPLACED. SEE GENERAL NOTE 12.



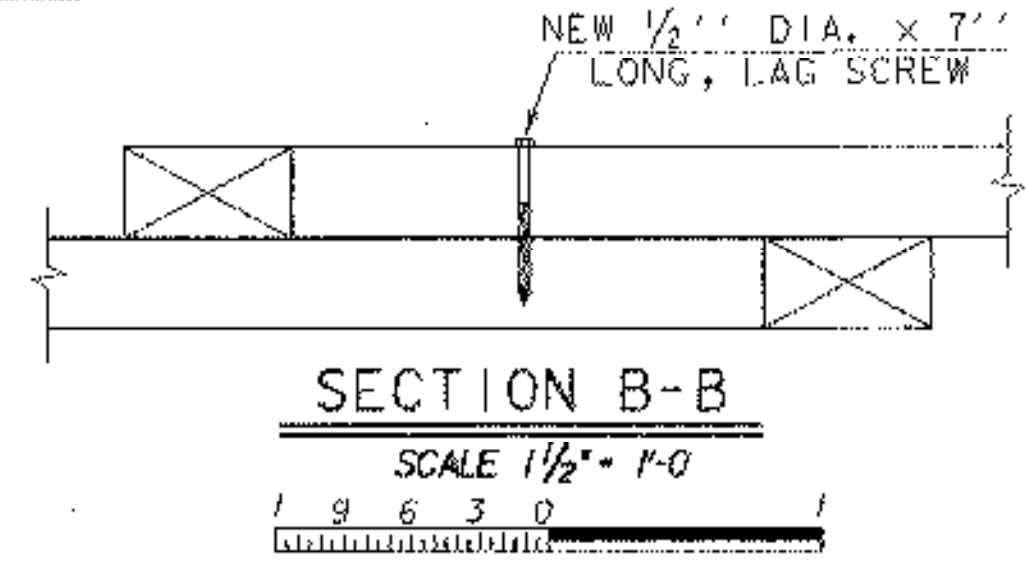
KNEE BRACE TO TIE BEAM CONNECTION

SCALE 1 1/2" = 1'-0"
1 9 6 3 0



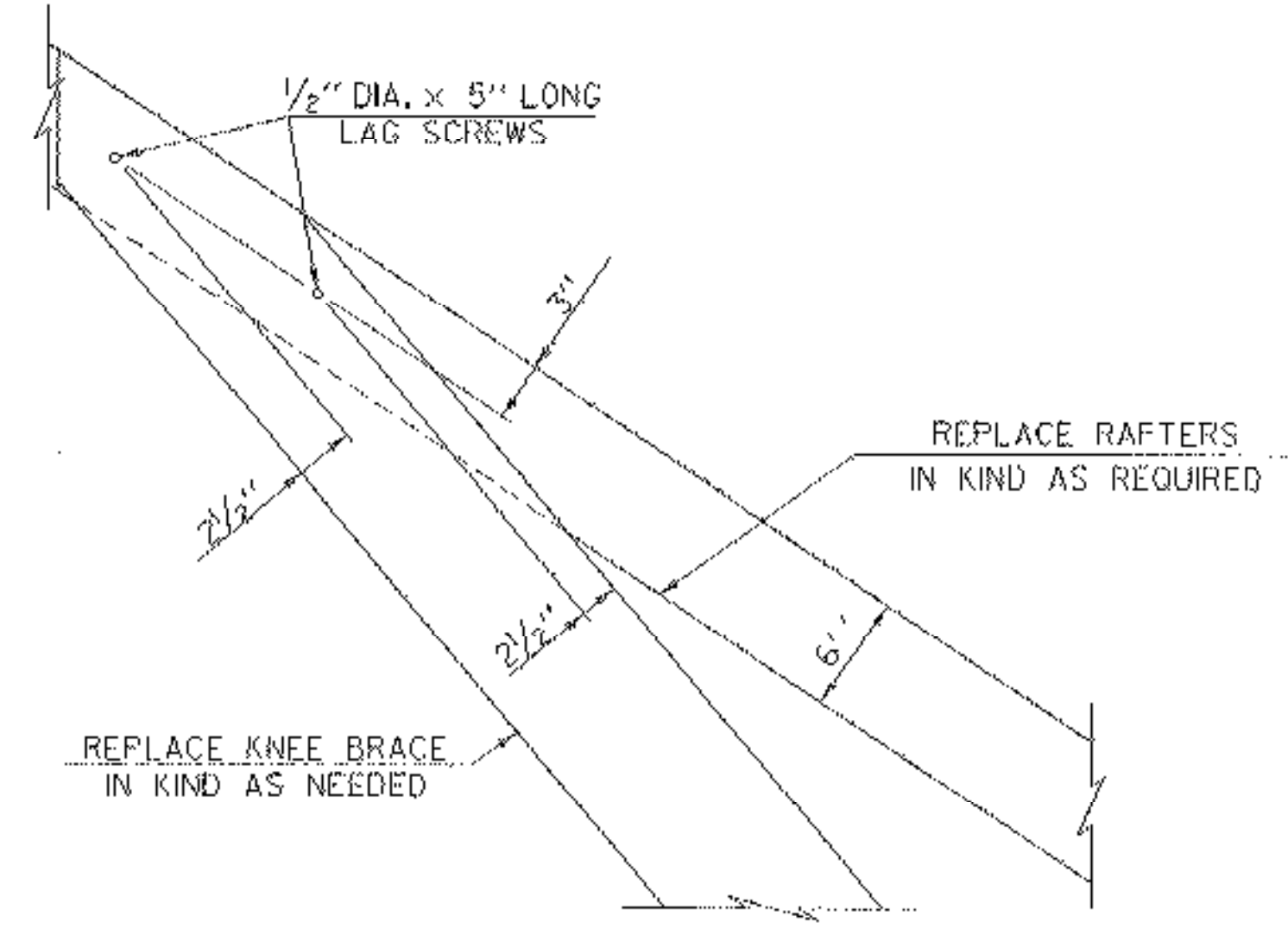
SECTION A-A

SCALE 1" = 1'-0"
1 9 6 3 0



SECTION B-B

SCALE 1 1/2" = 1'-0"
1 9 6 3 0



KNEE BRACE TO RAFTER CONNECTION

SCALE 1 1/2" = 1'-0"
1 9 6 3 0

FOR ESTIMATING PURPOSES, THE FOLLOWING MEMBERS WERE INCLUDED IN THE ESTIMATED LUMBER QUANTITIES:

- NEW RIDGE BEAM
- NEW ROOF SHEATHING
- 17% RAFTERS
- 8% TIE BEAMS
- 13% UPPER LATERAL CROSS BRACES
- 65% KNEE BRACES
- 6% OF THE UPPER TOP CHORD
- 13% OF THE LOWER TOP CHORD
- 26% LATTICE MEMBERS
- 720 TRUNNELS
- 22% OF THE UPPER BOTTOM CHORD
- NEW LOWER BOTTOM CHORD
- NEW TIE BEAM BLOCKING
- NEW LOWER CROSS BRACING
- NEW BOLSTER BEAMS, BLOCKING AND BEDDING TIMBERS
- NEW PORTAL FRAME AND SIDING
- NEW FASCIA AND SOFFIT BOARD AND NAILERS
- NEW ROOF RETURNS AND CORNICES
- NEW FLOOR BEAMS AND BLOCKING
- NEW GLULAM DECK
- NEW DECK EDGE BOARDS
- NEW CURRS AND CURB BLOCKING

ROOF FRAMING PLAN

PROJECT NAME: WEATHERSFIELD	PLOT DATE: 15-MAR-2007
PROJECT NUMBER: BHO 1442(29)	DRAWN BY: J. SALVATORI
FILE NAME: /96j234/str/s96j234r fp.dgn	CHECKED BY: T. SUMNER
PROJECT LEADER: W. SYMONDS	SHEET 31 OF 60
DESIGNED BY: T. FILLBACH	
sj234r fp.j	