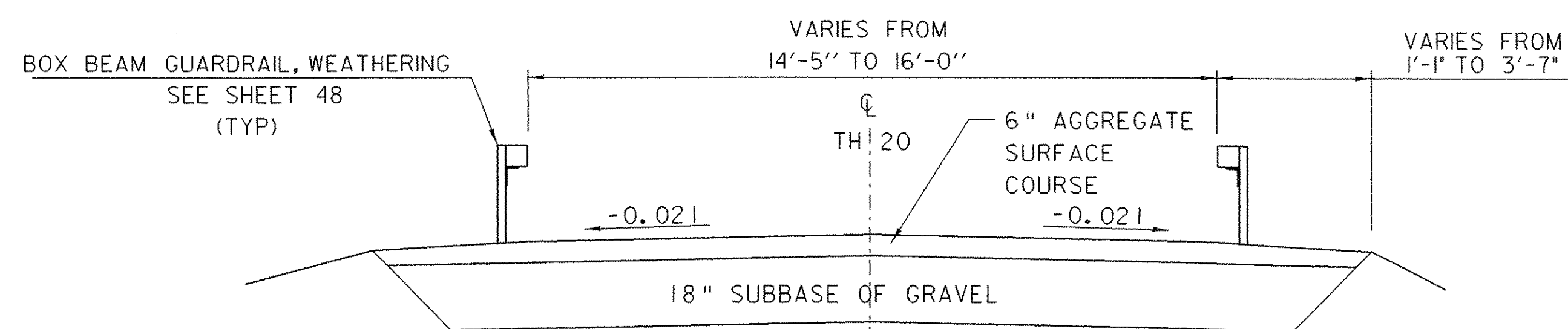
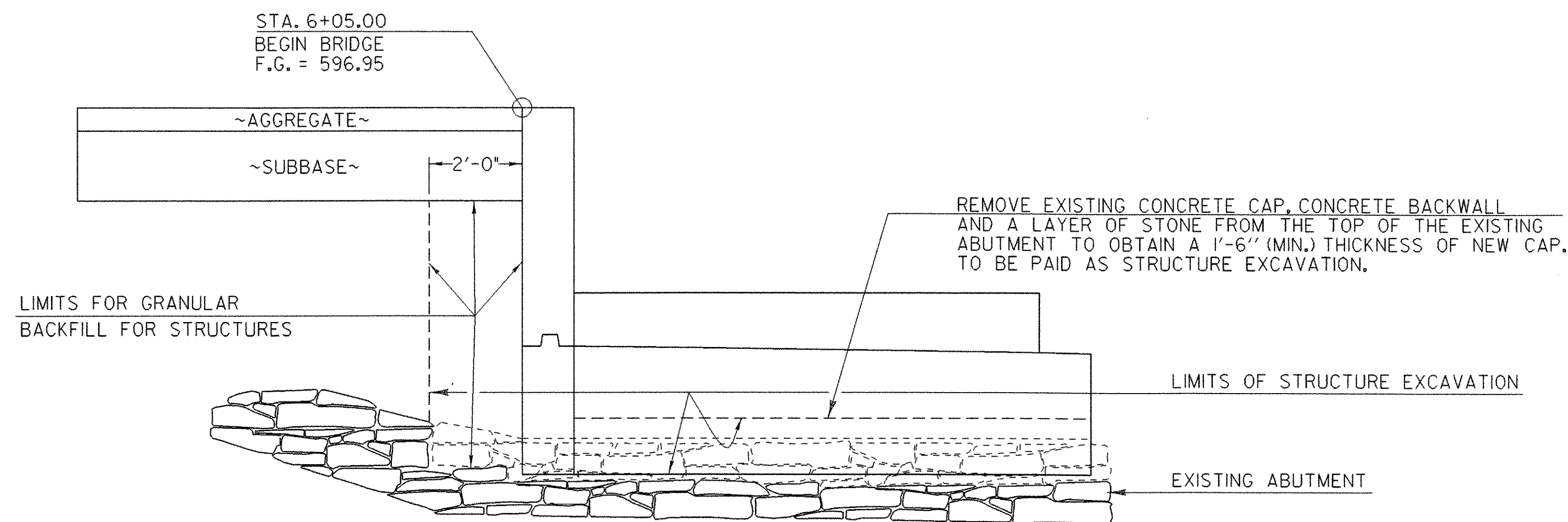


**TYPICAL SECTION OF  
STONE FILL AT ABUTMENT #1**  
SCALE: 1/2" = 1'

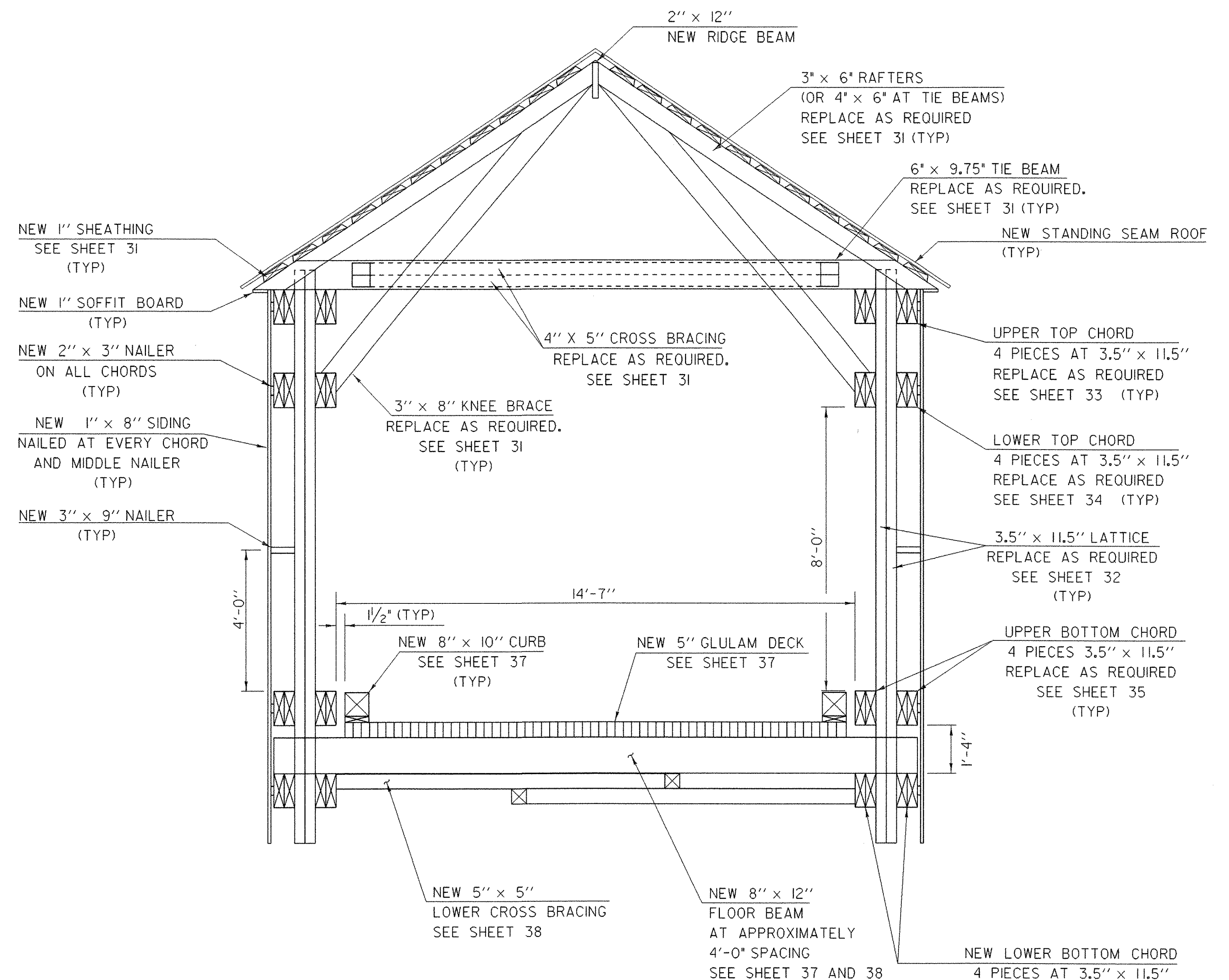


**ROADWAY TYPICAL**  
SCALE: 3/8" = 1'-0"



**ABUTMENT #1  
TYPICAL EARTHWORK SECTION**  
NOT TO SCALE

ABUTMENT #2 WILL BE SIMILAR. ABUTMENT #2 HAS A CONCRETE FACING OVER THE EXISTING STONE ABUTMENT THAT WILL BE REPAIRED.



**BRIDGE TYPICAL SECTION**

SCALE 1/2" = 1'-0"  
1 0 1 2

MATERIAL	TOLERANCE
AGGREGATE SURFACE COURSE	+/- 1/2"
SUBBASE OR GRAVEL	+/- 1"

NOTE: DIMENSIONS OF TIMBER MEMBERS SHOWN ON THE PLANS ARE THE ACTUAL SIZES TO BE PLACED.

**TYPICAL SECTIONS**

PROJECT NAME: WEATHERSFIELD  
PROJECT NUMBER: BHO 1442(29)  
FILE NAME: /96j234/str/s96j234+yp.dgn  
PROJECT LEADER: W. SYMONDS  
DESIGNED BY: T. FILLBACH  
DRAWN BY: J. GILMORE  
CHECKED BY: T. SUMNER  
PLOT DATE: 15-MAR-2007  
SHEET 3 OF 60