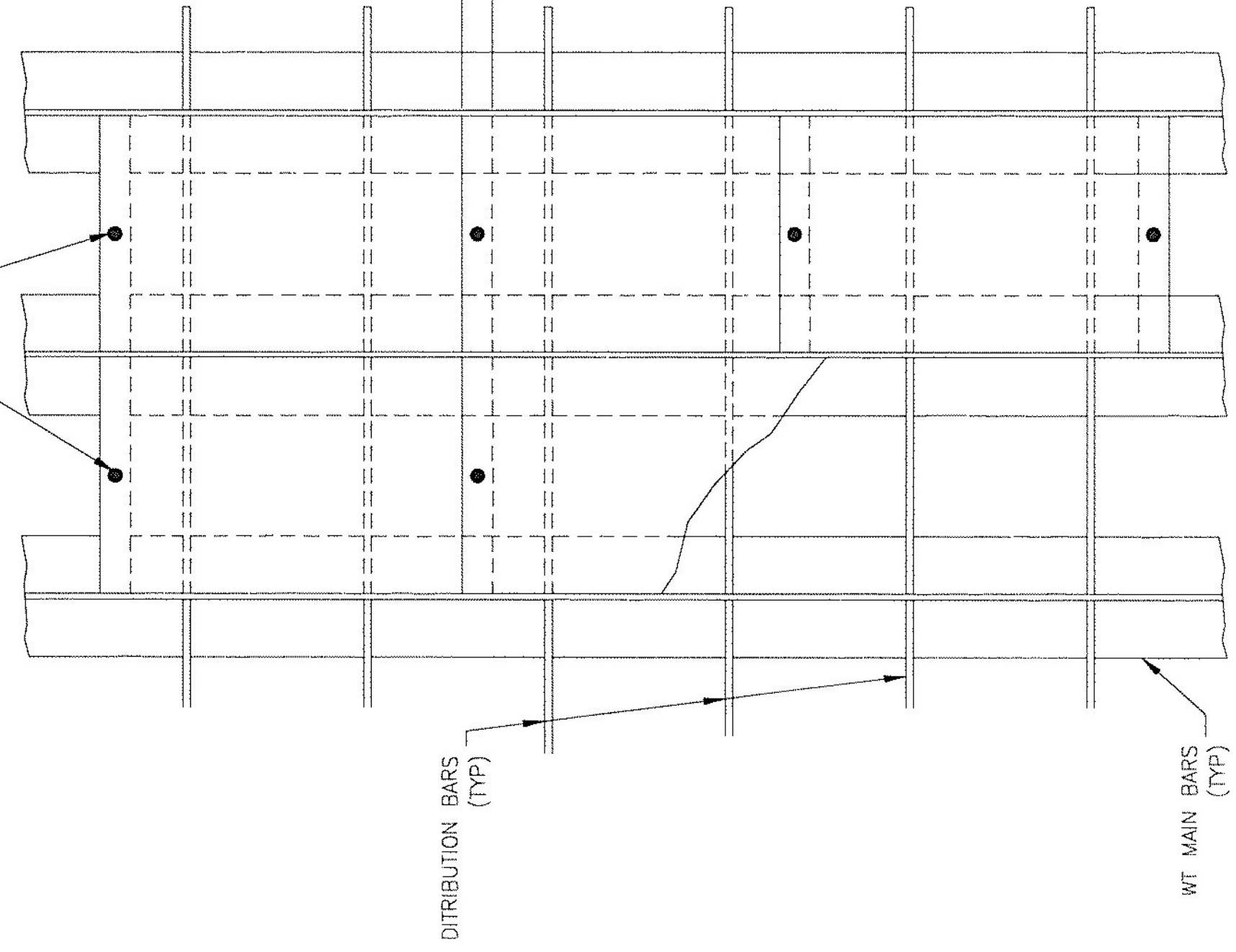
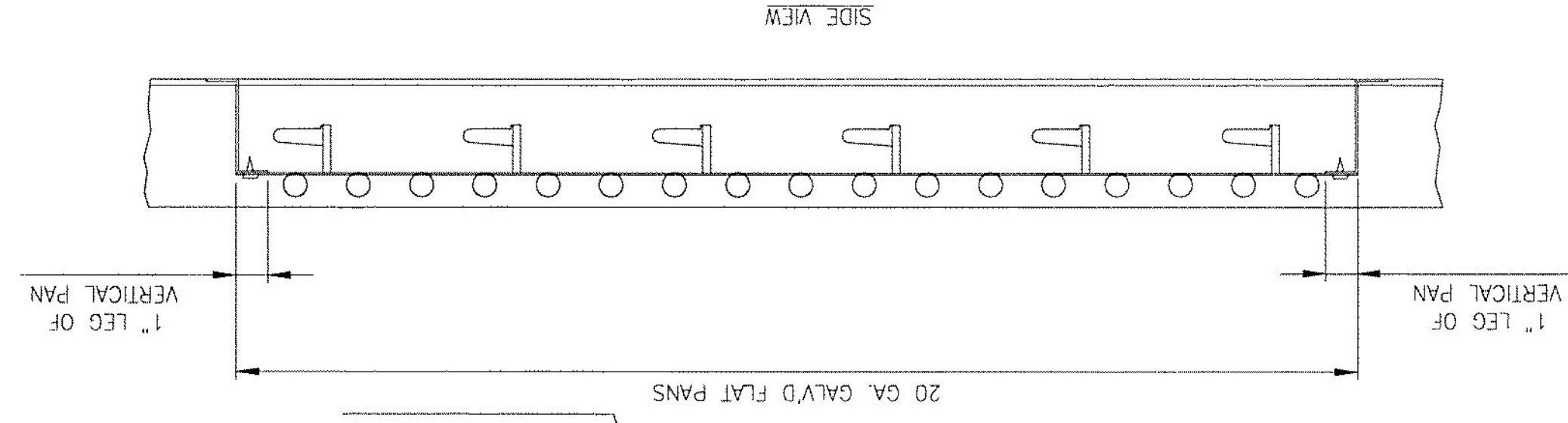


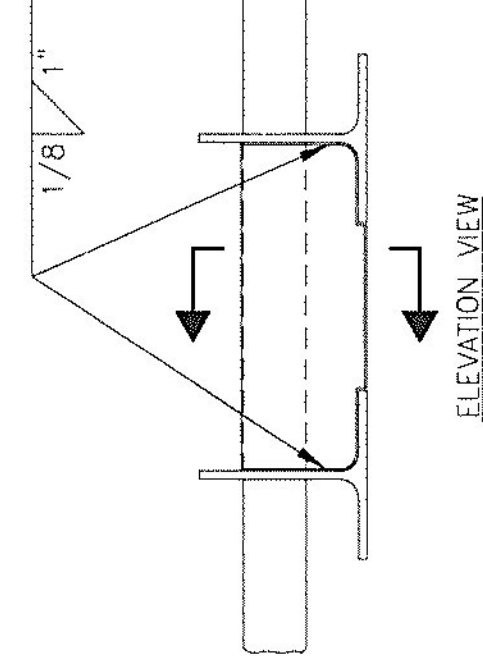
SECURE FLAT PANS TO VERTICAL PANS WITH TEK-SCREWS. TYPICAL. ONE EACH END AND AT OVERLAPS



PLAN VIEW

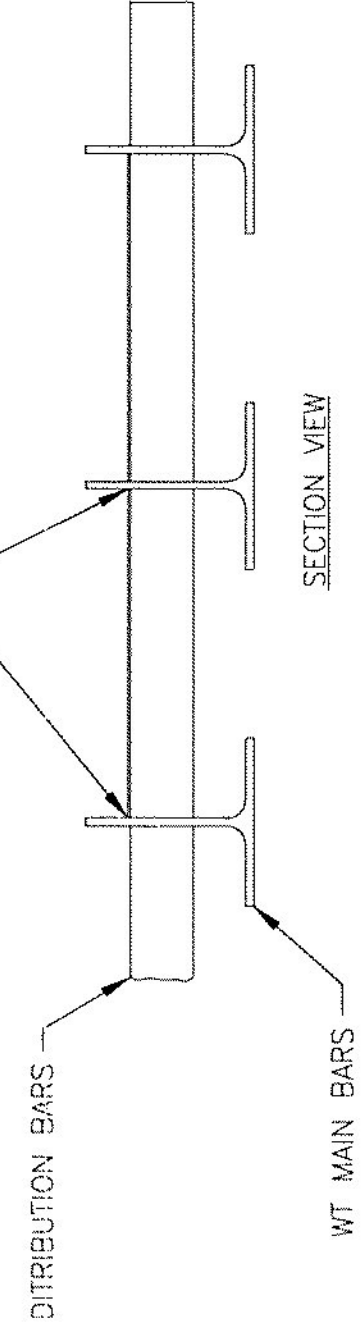


SIDE VIEW



SHOP INSTALLED WELD DETAIL

CONTRACTOR TO SEAL GAPS BETWEEN PANS AND TEE WEB WITH SILICONE CAULKING COMPOUND TO PREVENT EXCESSIVE CONC. LEAKAGE (NOT SUPPLIED BY L.B. FOSTER)



SECTION VIEW

TYPICAL PAN INSTALLATION DETAILS

Vermont Agency
REC
 CK'D BY TCF
 9:55 am, Feb 10, 2011
 RESUBMIT
 BY KMH