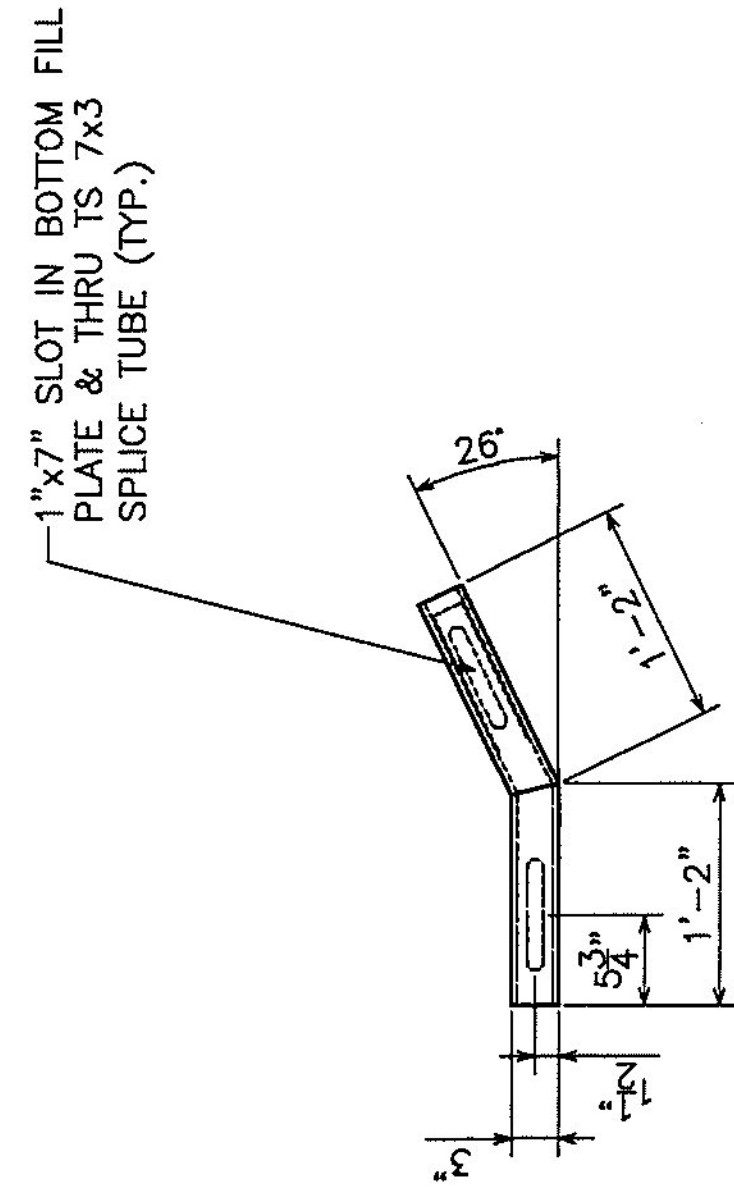


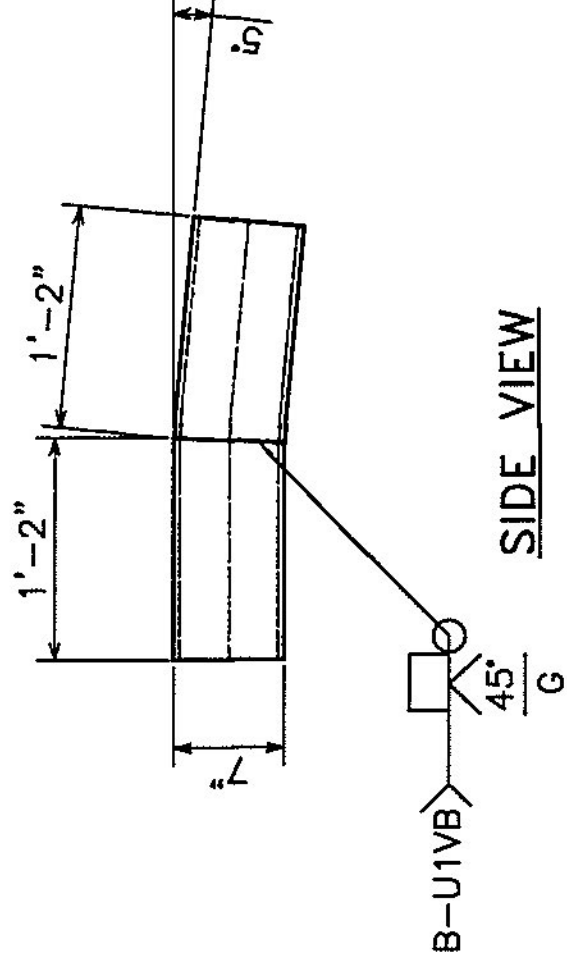
7/8" ϕ HOLE TOP & BOTTOM OF BOX BEAM FOR 3/4" ϕ x 9.50" LONG BOLT W/ HEAVY HEX NUT & (2) WASHERS & 1 SPRING LOCK WASHER

TURN BACK SPLICE TUBE ASSEMBLY

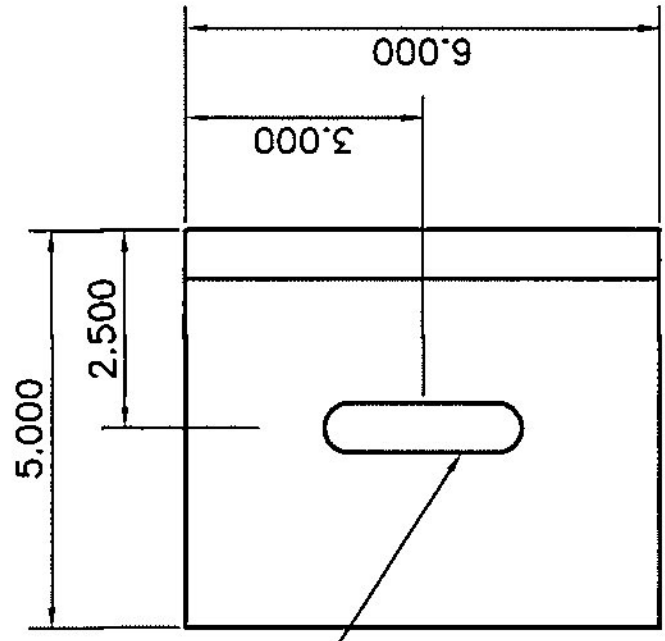
TOP VIEW



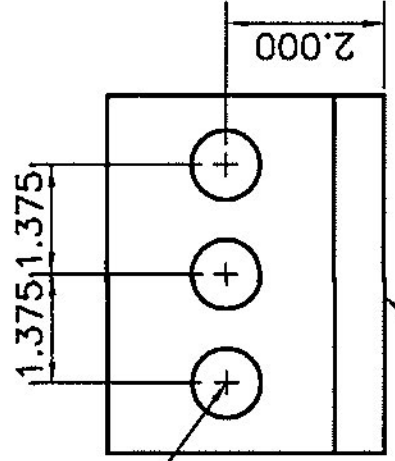
TOP VIEW



TURN BACK SPLICE TUBE DETAIL



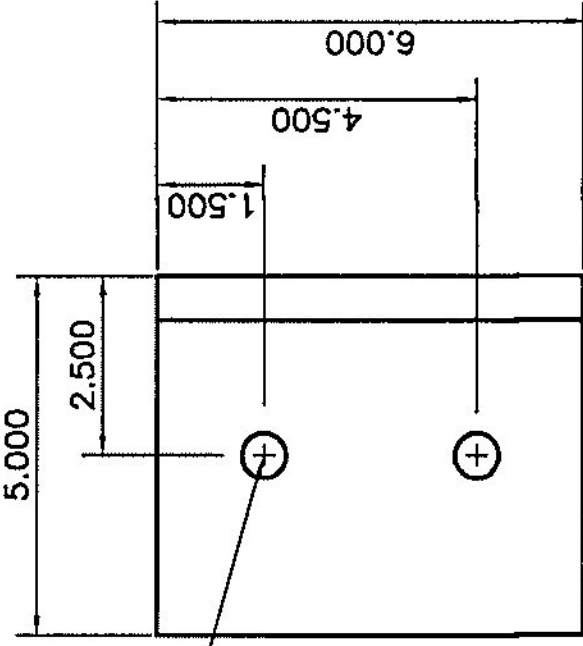
0.625" x 2.500 SLOTTED HOLE



0.875" ϕ HOLES (3) LOCATIONS (typ)

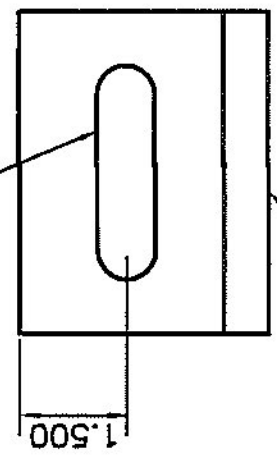
L 5 x 3/5 x 5/8 ANGLE (A36)

END ANGLE DETAIL



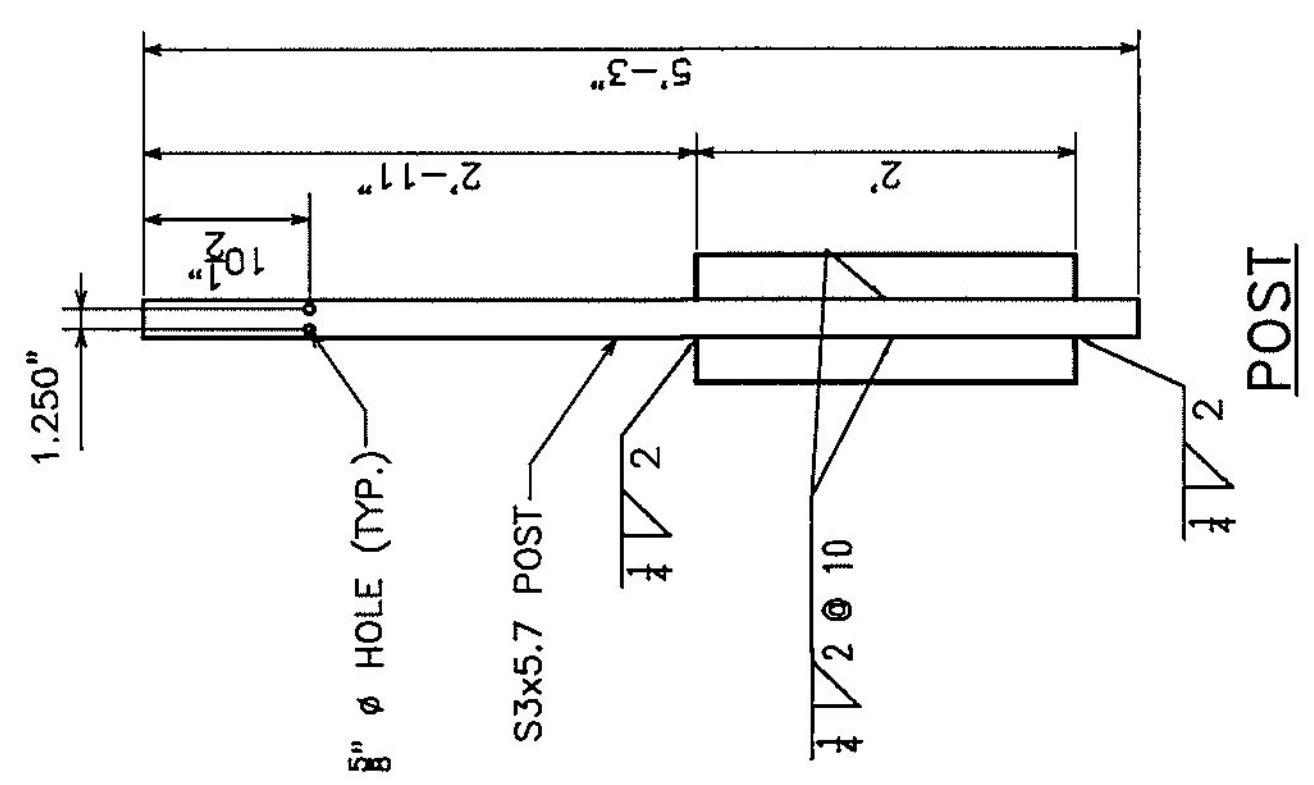
0.625" ϕ HOLES (2) LOCATIONS (typ)

1" x 3" SLOTTED HOLE



L 5 x 3/5 x 5/8 ANGLE (A36)

SHELF ANGLE DETAIL



POST

TRAN

Vermont Agency
RECORDED
 CK'D BY **GM**
 1:24 P
RESUBMIT
 BY **KMH**

No.	Remarks	Date
2	Miscellaneous corrections	06-06-12
1	Per VAOT comments	05-25-12
0	Initial submittal	04-25-12

REVISIONS