

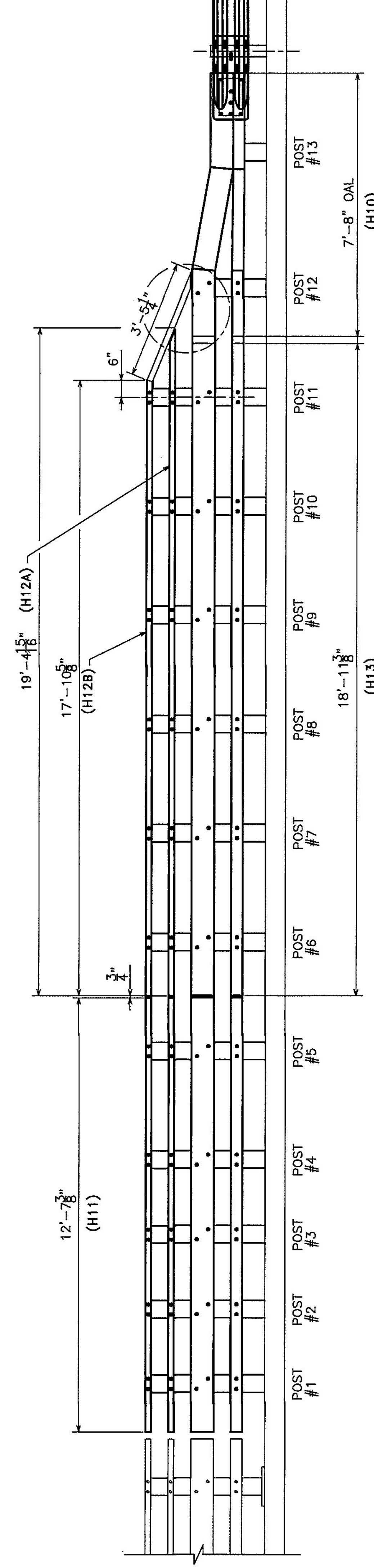


8 SPACES @ 3'-2" = 25'-4"

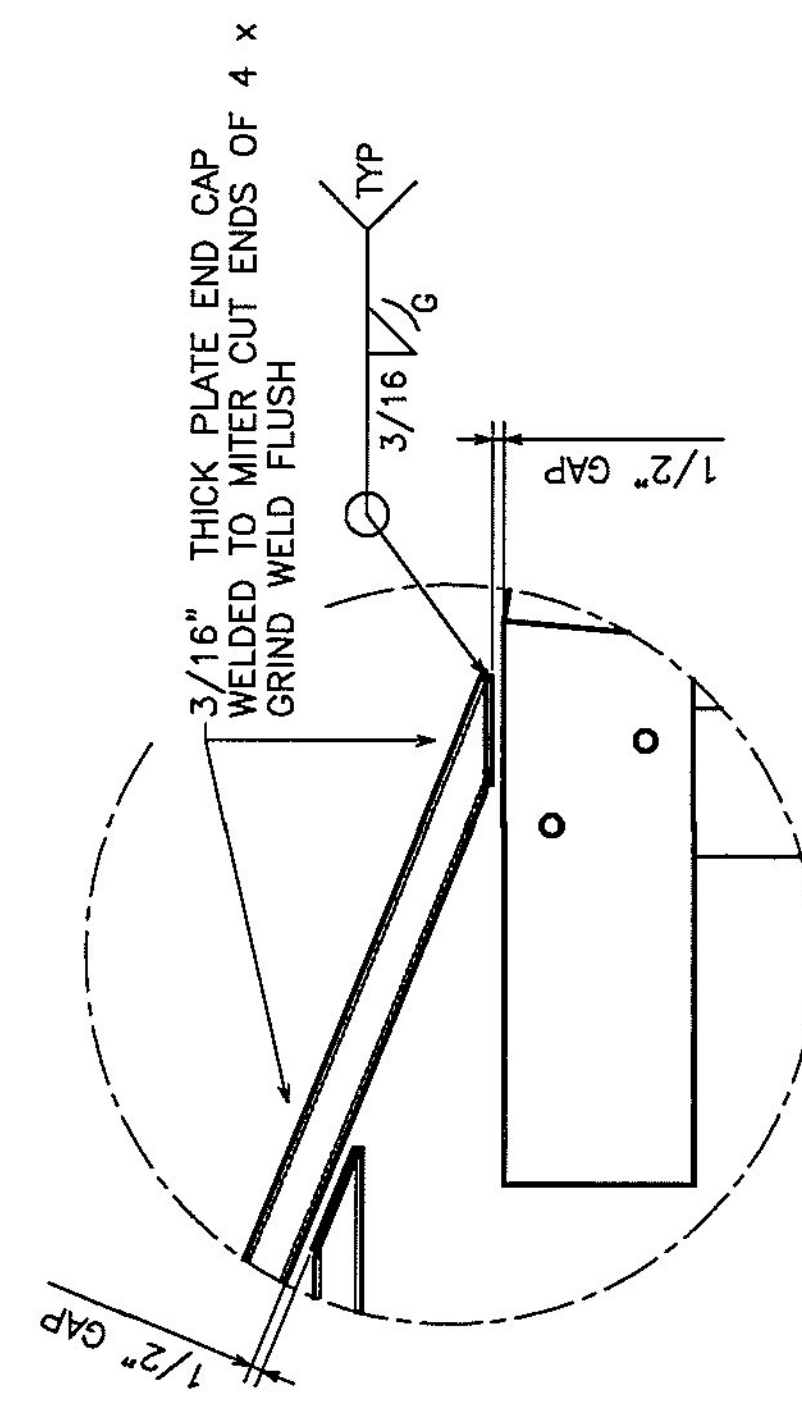
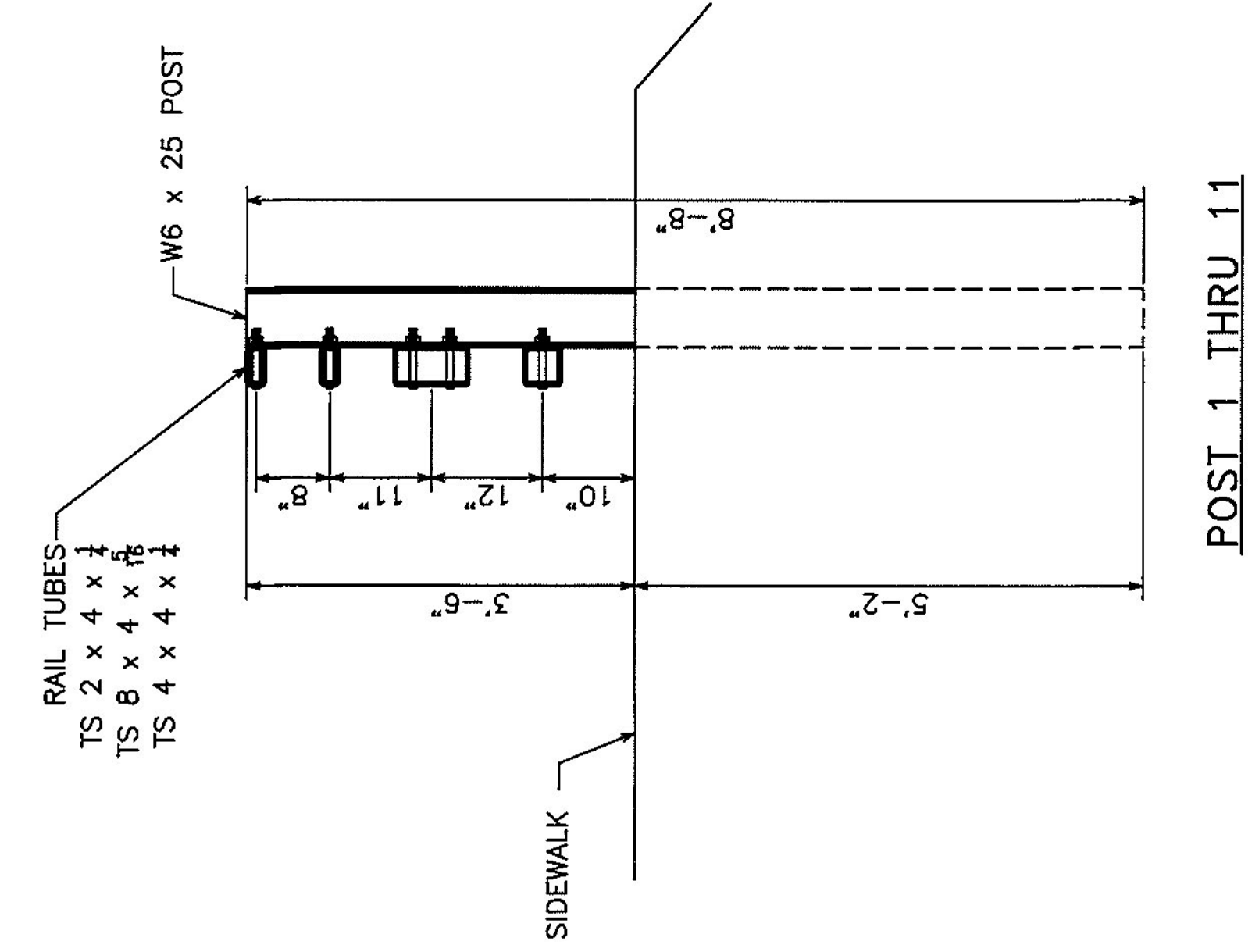
3 @ 2'-2" = 6'-6"

3'-11 1/4" 2'-11 1/8"

PLAN



ELEVATION - SOUTH WEST APPROACH
 looking SW from ϕ of road
 (south east elevation similar)



POST 1 THRU 11

No.	Remarks	Date
2	Miscellaneous corrections	06-06-12
1	Per VAOT comments	05-25-12
0	Initial submittal	04-25-12

REVISIONS

Vermont Agency
REC'D
 CK'D BY GML
 1:24 p.m.
 RESUBMIT
 BY KMH