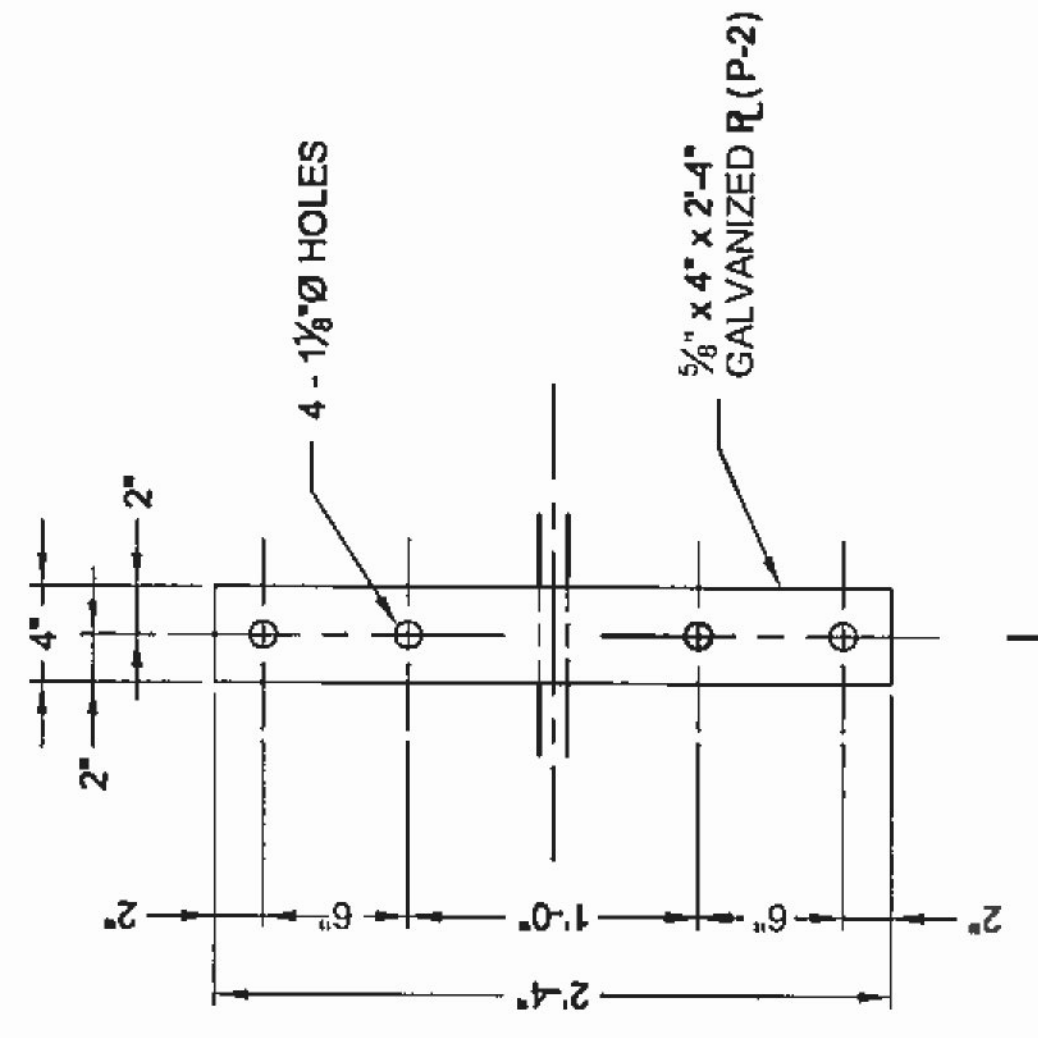
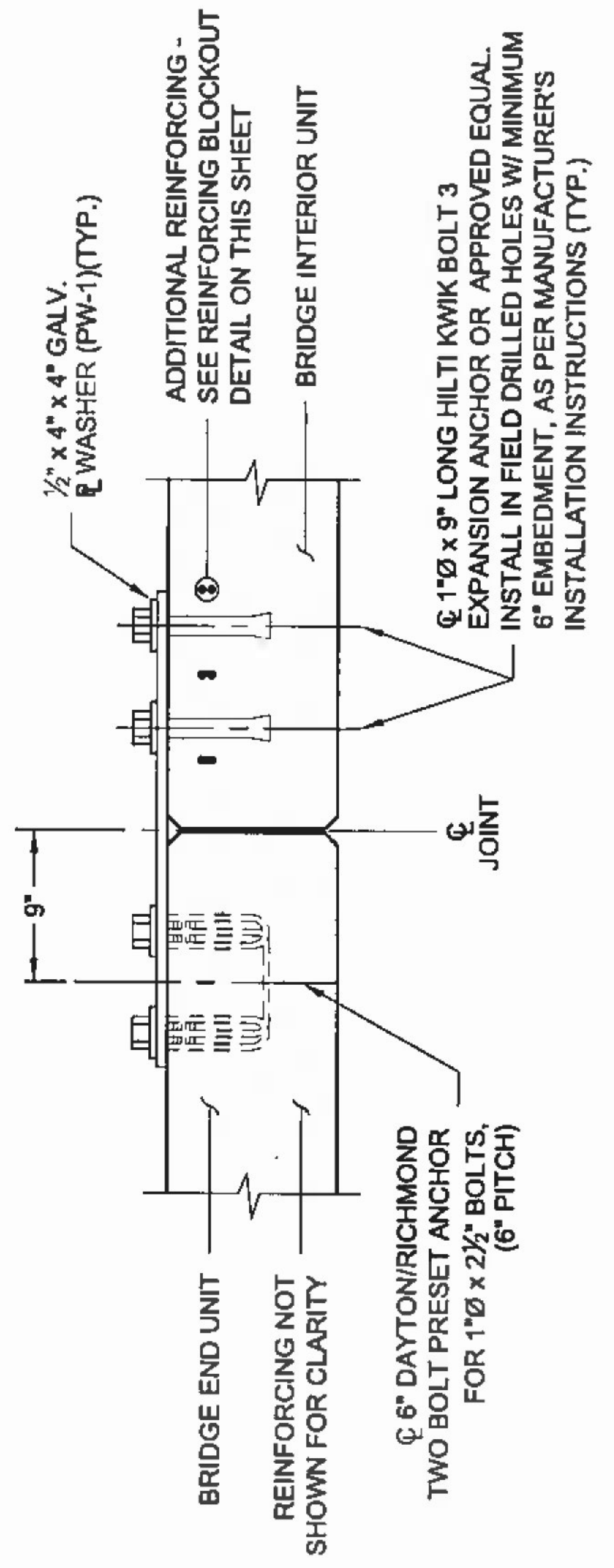


40

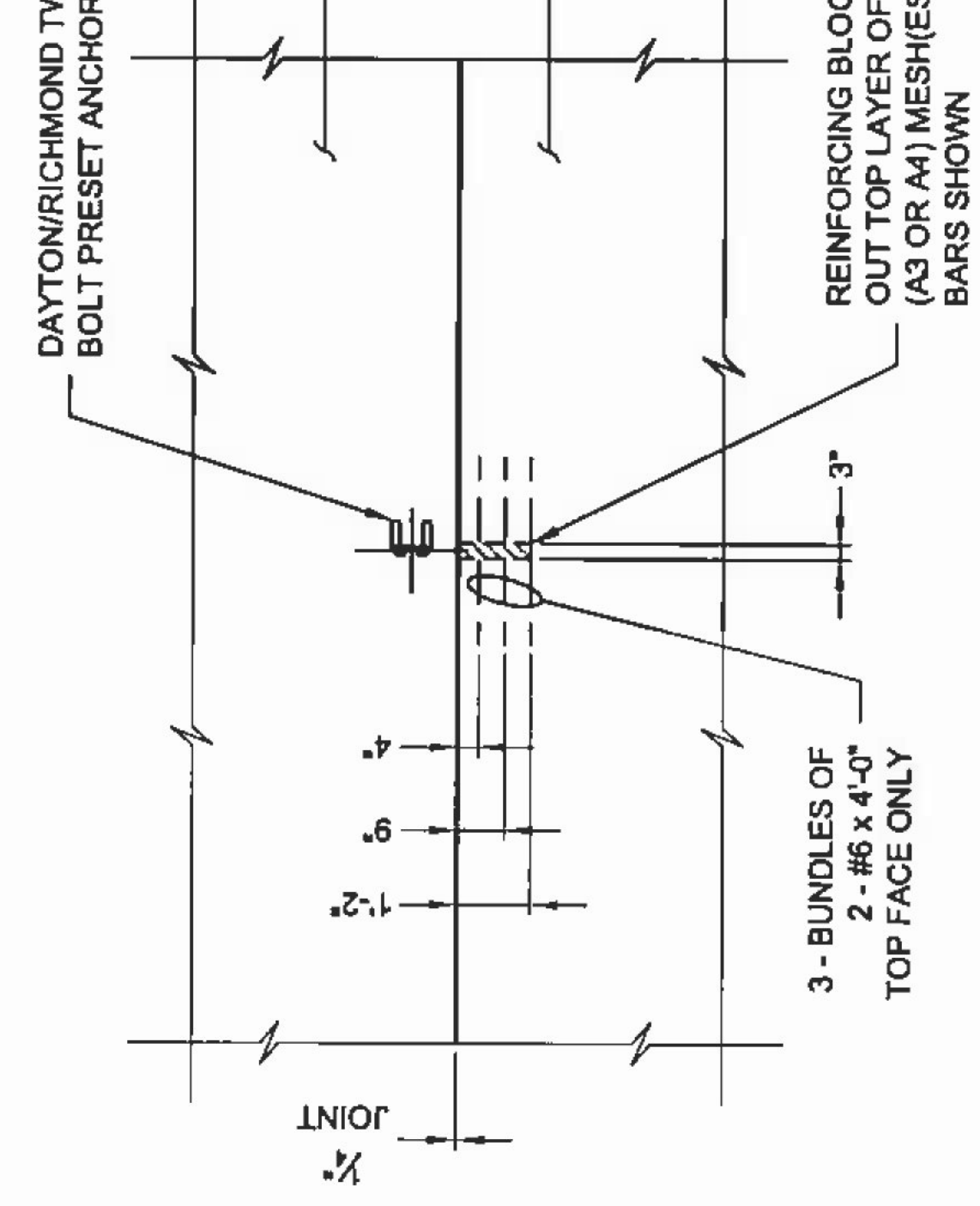


DETAIL
39 S1



SECTION
40

PLATE P-2
TOTAL REQUIRED = 4
(4) PW-1 REQ'D. PER PLATE



REINFORCING BLOCKOUT DETAIL

The design and information shown on this drawing is provided as a service to the project owner, engineer and contractor by CONTECH CONSTRUCTION PRODUCTS INC. (CONTECH). This drawing, its contents, and any part thereof, may be used, reproduced or modified in any manner without the written consent of CONTECH. CONTECH shall not be held responsible for any errors or omissions, or for any consequences arising from the use of this drawing. CONTECH shall not be held responsible for any consequences arising from the use of this drawing. CONTECH shall not be held responsible for any consequences arising from the use of this drawing. CONTECH shall not be held responsible for any consequences arising from the use of this drawing.

MARK	DATE	REVISION DESCRIPTION	BY
5	4/27/2011	NO CHANGES ON THIS SHEET	RKL
4	4/18/2011	NO CHANGES ON THIS SHEET	RKL
3	4/8/2011	NO CHANGES ON THIS SHEET	RKL
2	4/4/11	NO CHANGES ON THIS SHEET	RKL
1	3/19/2011	NO CHANGES ON THIS SHEET	RKL

CONTECH
CONSTRUCTION PRODUCTS INC.
www.contech-cpi.com
9025 Centre Pointe Dr., Suite 400, West Chester, OH 45069
800-338-1122 513-645-7000 513-645-7993 FAX

CONSPAN
BRIDGE SYSTEMS
CONTECH
FABRICATION
DRAWING

HARTFORD TH#
VERMONT AGENCY OF TRAN
HARTFORD,

Vermont Age
REC
CK'D BY GML
7:13 am
RESUBMIT
BY KMH