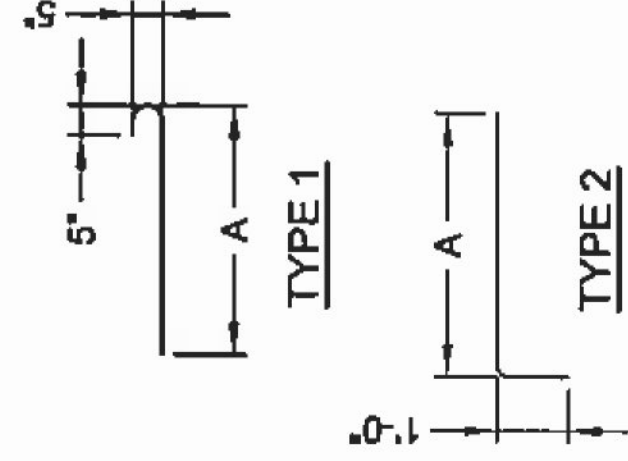
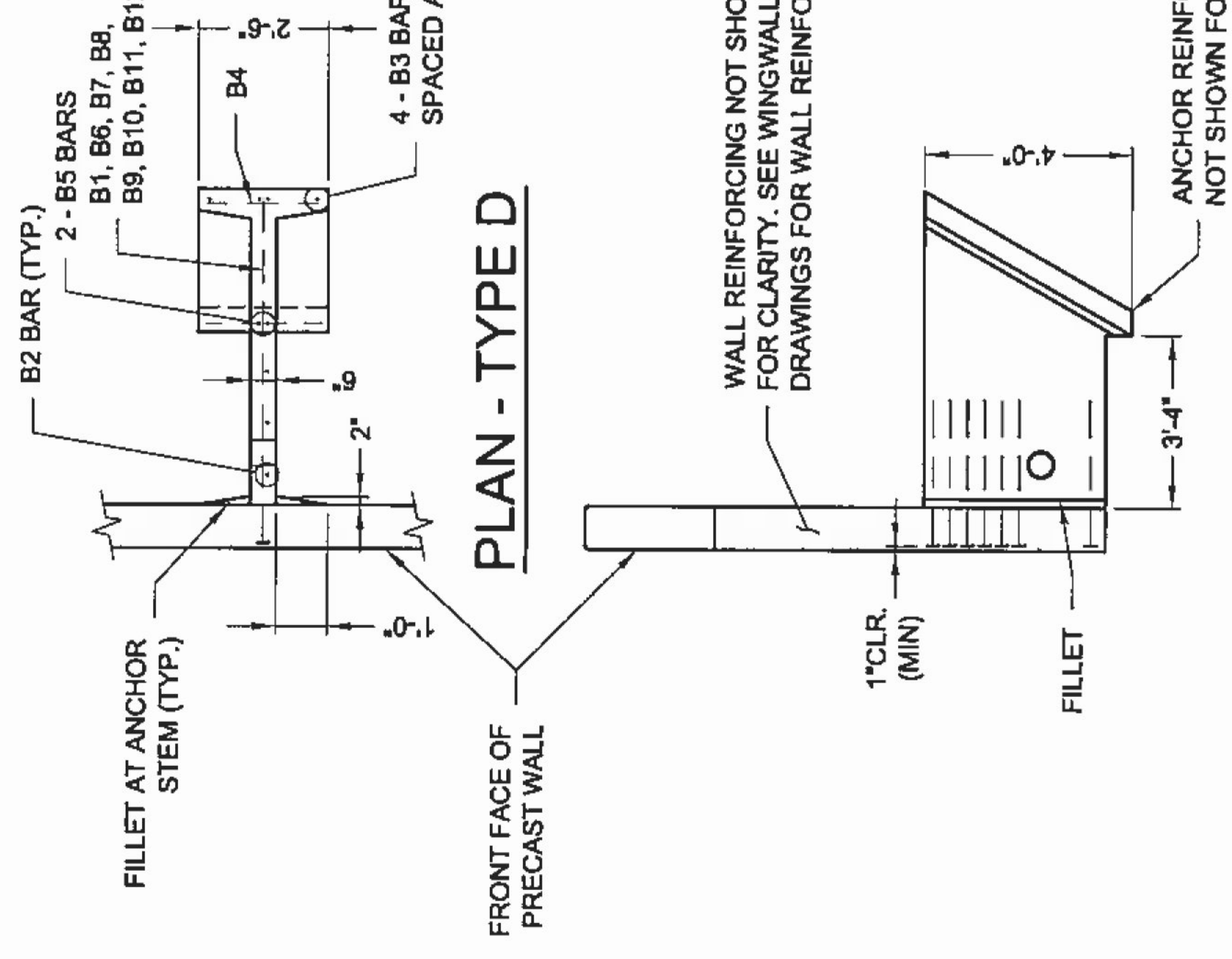
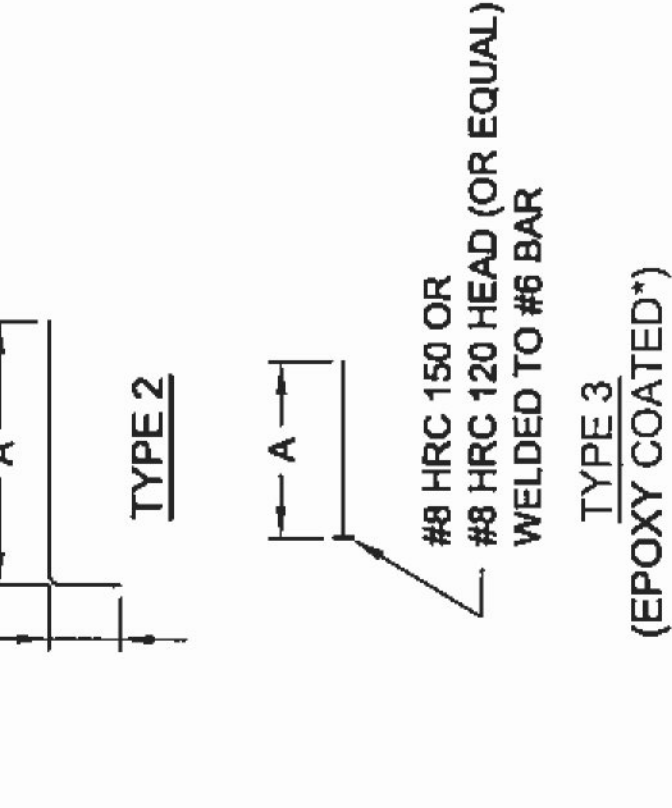


3
REMOVED ANCHOR C

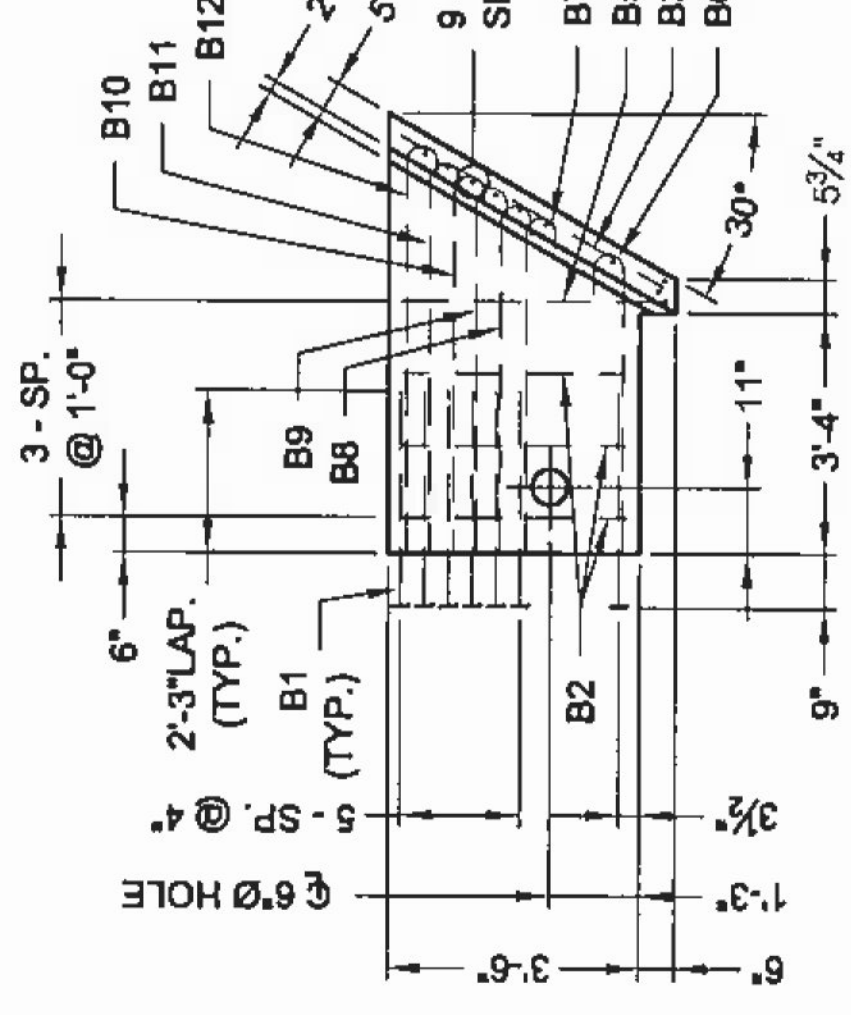


SECTION - TYPE D



*NOTE: EPOXY COATING IS NOT REQUIRED ON HEADED ENDS OF TYPE 3 BARS, BUT WILL NOT BE DETRIMENTAL IF PROVIDED.

*NOTE: HRC HEADS PROVIDED BY HEADED REINFORCEMENT CORP.



PRECAST ANCHOR TYPE D

TOTAL WEIGHT = 1.028 TONS

The design and information shown on this drawing is provided as a service to the project owner, engineer and contractor by CONTECH. CONTECH is not responsible for the use of the information shown on this drawing. CONTECH is not responsible for the use of the information shown on this drawing. CONTECH is not responsible for the use of the information shown on this drawing. CONTECH is not responsible for the use of the information shown on this drawing.

MARK	DATE	REVISION DESCRIPTION	BY
5	4/27/2011	NO CHANGES ON THIS SHEET	RKL
4	4/18/2011	NO CHANGES ON THIS SHEET	RKL
3	4/18/2011	REVISIONS PER REVIEWERS COMMENTS	RKL
2	4/14/11	NO CHANGES ON THIS SHEET	RKL
1	3/10/2011	REVISIONS PER REVIEWERS COMMENTS	RKL

CONTECH
CONSTRUCTION PRODUCTS INC.
www.contech-cpi.com
9025 Centre Pointe Dr., Suite 400, West Chester, OH 45069
800-338-1122 513-645-7000 513-645-7993 FAX

CONISPAN
BRIDGE SYSTEMS
CONTECH FABRICATION DRAWING

HARTFORD TH#
VERMONT AGENCY OF TRANSPORTATION
HARTFORD, VT