

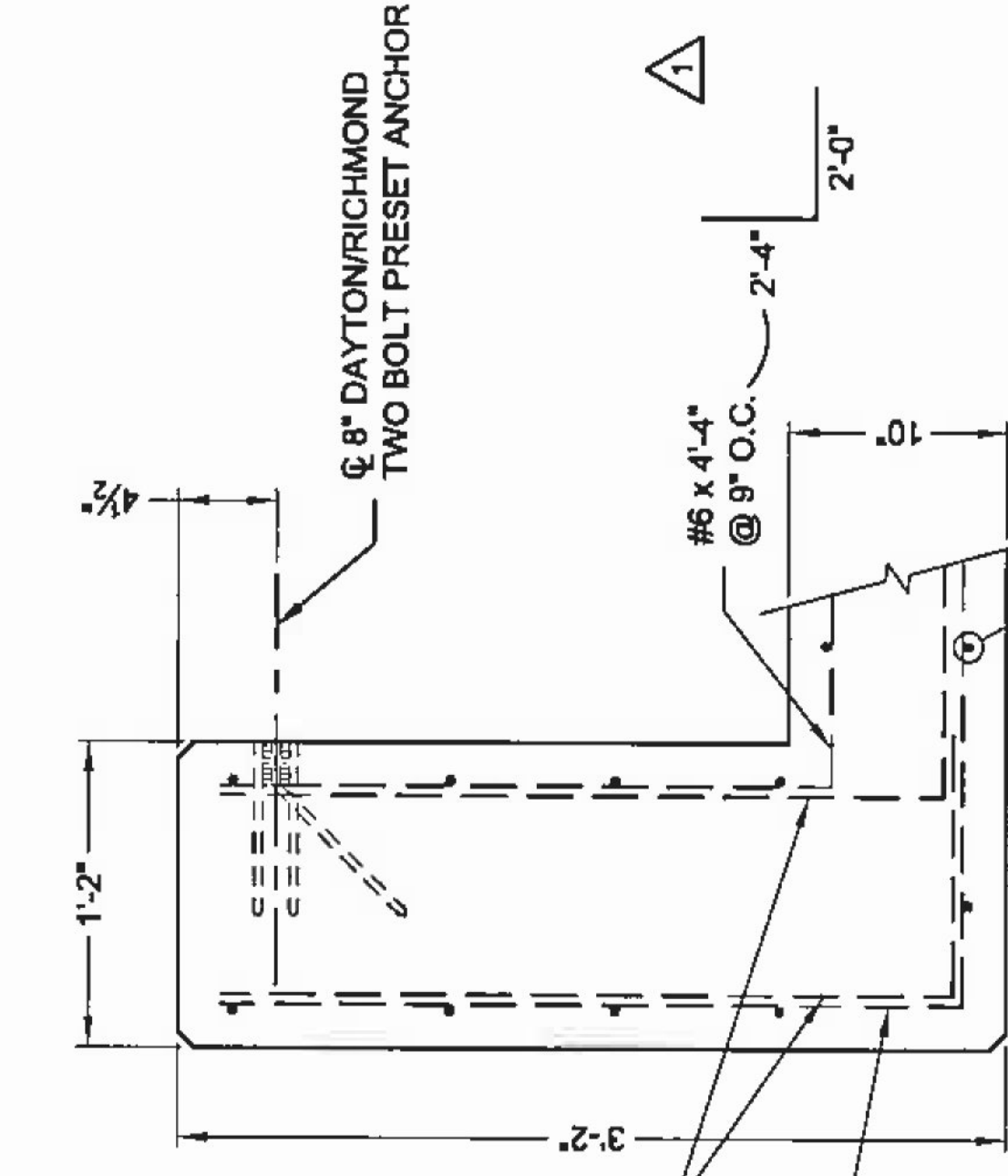
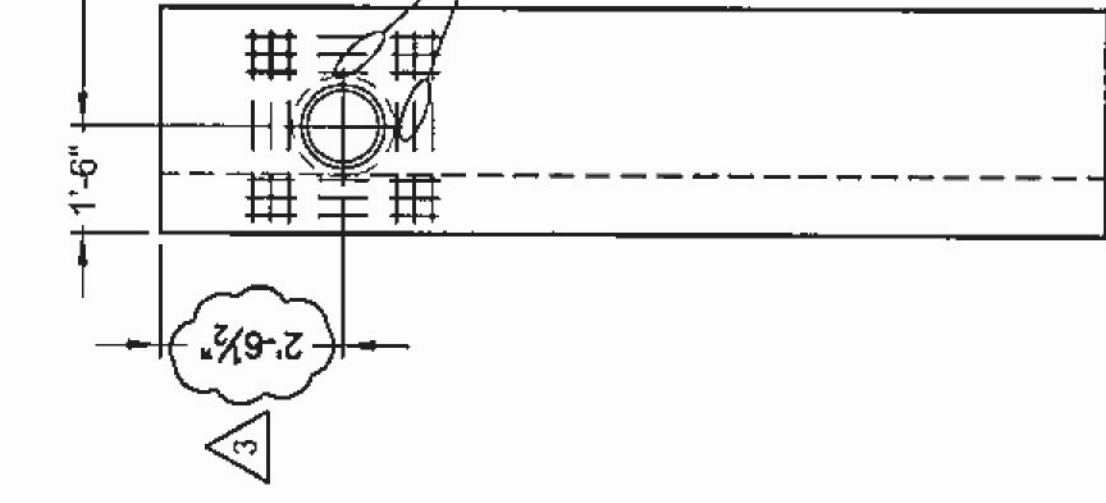
WINGWALL - WW2C
 TOTAL WEIGHT = 14.4 TONS

REINFORCING DETAIL - WW2C
 (FOR ANCHOR REINFORCING SEE S...)

Vermont Agency of Transportation
RECEIVED

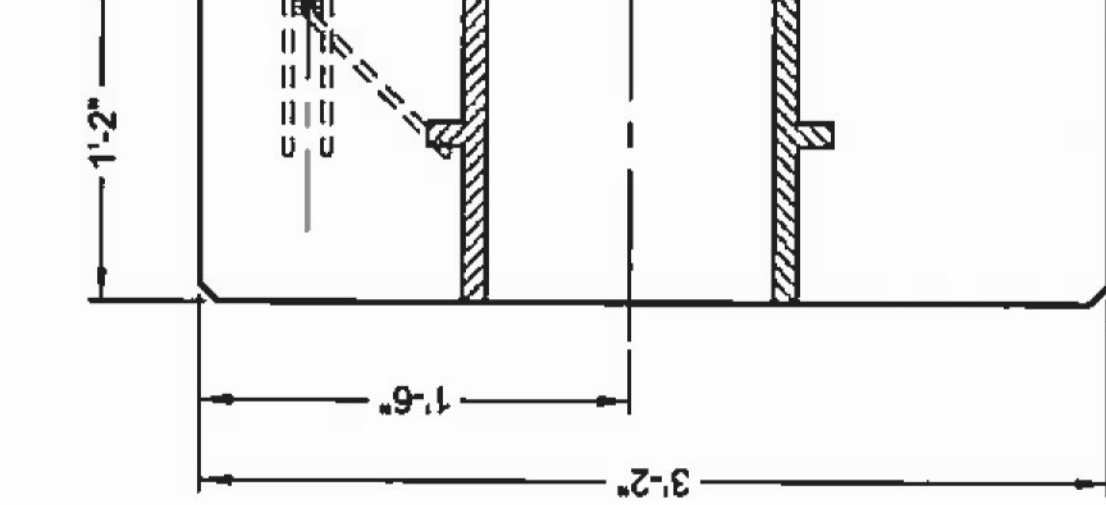
CK'D BY **GML** OK'D BY **TCF**
 7:13 am, May 03, 2011
 RESUBMIT **APPROVED X**
 BY **KMH** DATE **5-3-11**

3 - #5 x 2'-8" 3" O.C. EACH FACE



DETAIL 21

SECTION 22



SECTION

The design and information shown on this drawing is provided as a service to the project owner, engineer and contractor by CONTECH CONSTRUCTION PRODUCTS INC. and its employees. CONTECH CONSTRUCTION PRODUCTS INC. and its employees shall not be held responsible for any errors, omissions or misstatements in this drawing. The user of this drawing is responsible for the accuracy of the information shown on this drawing. CONTECH CONSTRUCTION PRODUCTS INC. and its employees shall not be held responsible for any errors, omissions or misstatements in this drawing. CONTECH CONSTRUCTION PRODUCTS INC. and its employees shall not be held responsible for any errors, omissions or misstatements in this drawing.

MARK	DATE	REVISION DESCRIPTION	BY
5	4/27/2011	NO CHANGES ON THIS SHEET	RKL
4	4/18/2011	NO CHANGES ON THIS SHEET	RKL
3	4/8/2011	REVISIONS PER REVIEWERS COMMENTS	RKL
2	4/4/11	REVISIONS PER REVIEWERS COMMENTS	RKL
1	3/10/2011	REVISIONS PER REVIEWERS COMMENTS	RKL

CONTECH
 CONSTRUCTION PRODUCTS INC.
 www.contech-cpi.com
 9025 Centre Pointe Dr., Suite 400, West Chester, OH 45069
 800-338-1122 513-645-7000 513-645-7993 FAX

CONISPAN
 BRIDGE SYSTEMS
 CONTECH
 FABRICATION
 DRAWING

HARTFORD TH#
 VERMONT AGENCY OF TRANSPORTATION
 HARTFORD, VT