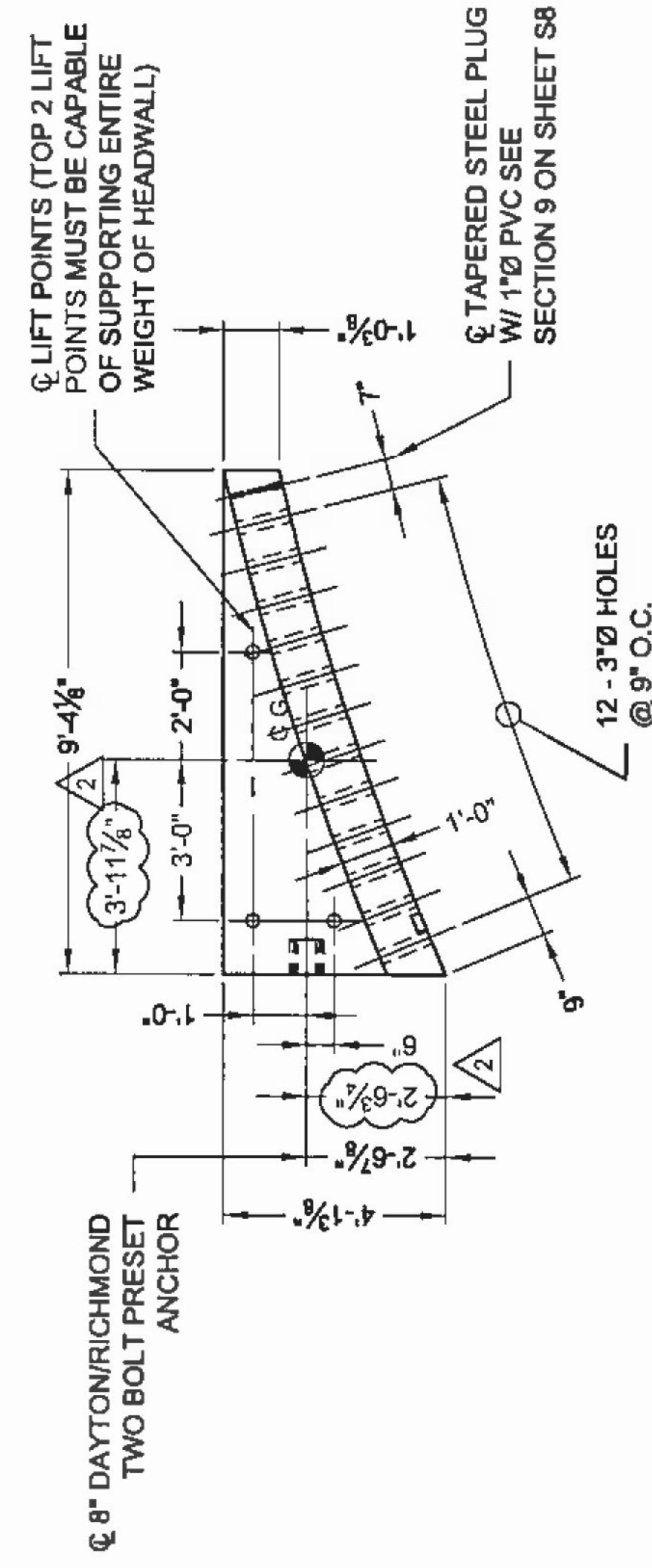
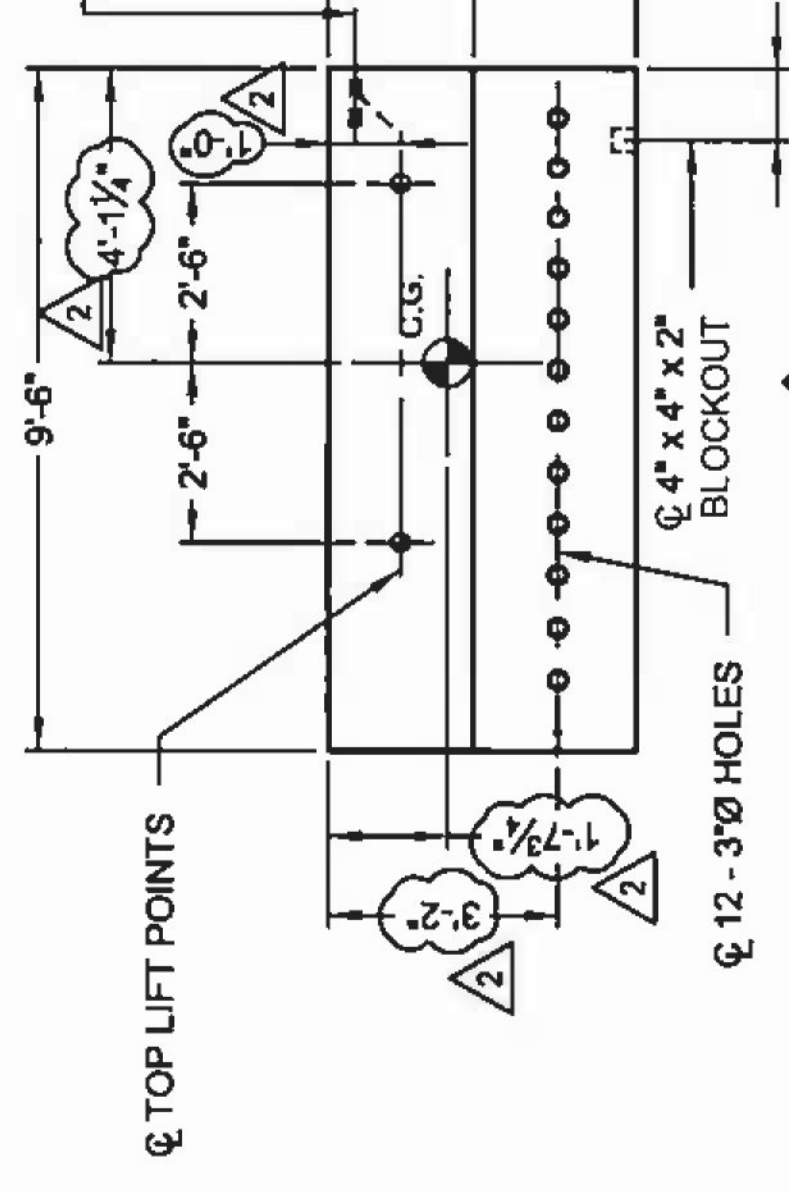


PLAN - HW1A

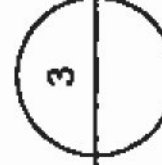
TOTAL WEIGHT = 5.1 TONS

PLAN - HW1B

TOTAL WEIGHT = 5.6 TONS

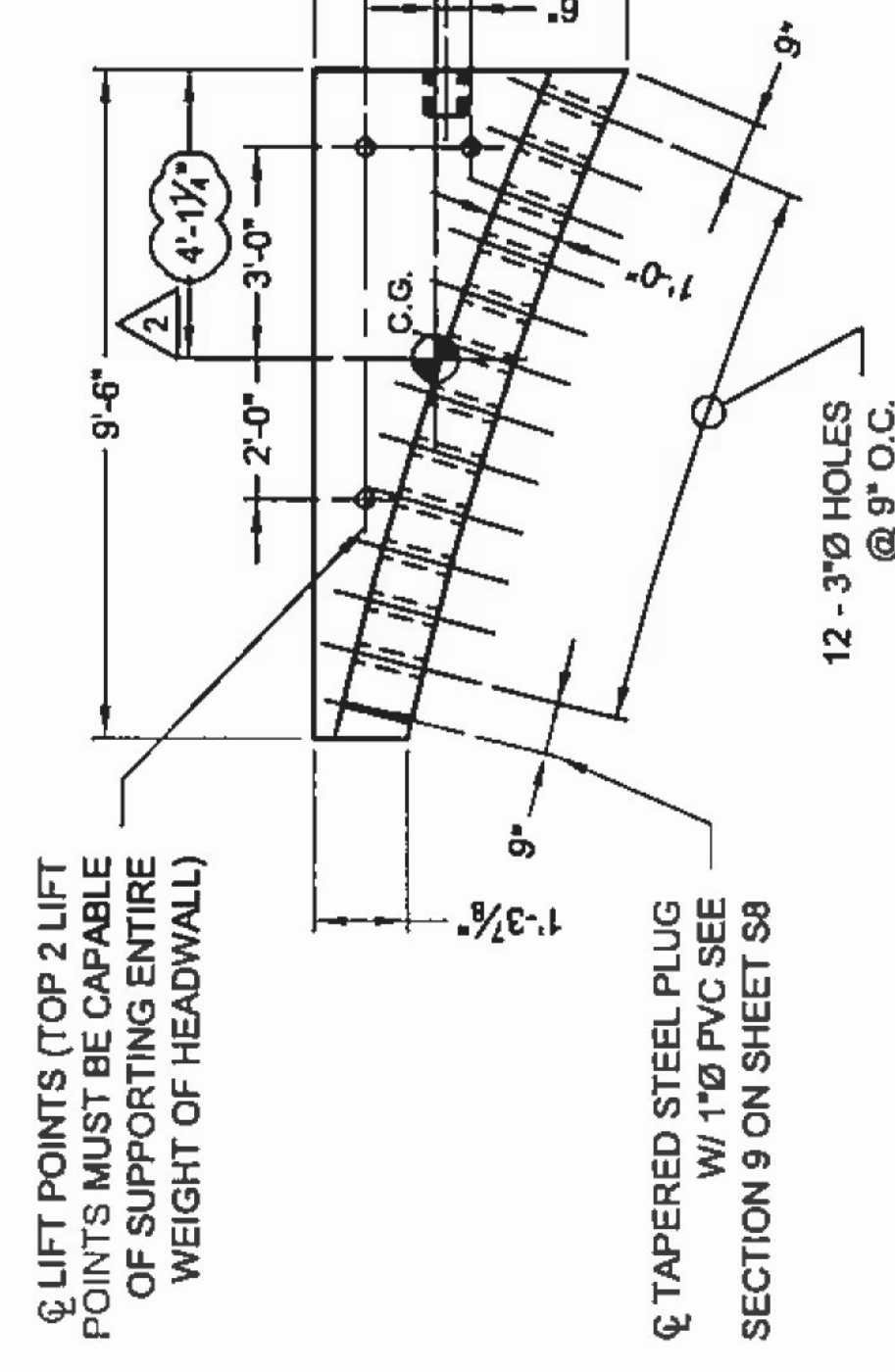


ELEVATION



☉ LIFT POINTS (TOP 2 LIFT POINTS MUST BE CAPABLE OF SUPPORTING ENTIRE WEIGHT OF HEADWALL)

☉ TAPERED STEEL PLUG W/ 1"Ø PVC SEE SECTION 9 ON SHEET S8



ELEVATION



The design and information shown on this drawing is provided as a service to the project owner, engineer and contractor by CONTECH CONSTRUCTION PRODUCTS INC. and is not to be used for any other project without the prior written consent of CONTECH. Failure to obtain the prior written consent of CONTECH, Inc. shall constitute an acknowledgment of the user's acceptance of the design and information shown on this drawing and shall constitute an acknowledgment of the user's assumption of all liability for any and all consequences or damages resulting from the use of the design and information shown on this drawing. CONTECH assumes no liability for damages, losses, or consequences or transactions information supplied by others.

MARK	DATE	REVISION DESCRIPTION	BY
5	4/27/2011	NO CHANGES ON THIS SHEET	RKL
4	4/18/2011	NO CHANGES ON THIS SHEET	RKL
3	4/8/2011	NO CHANGES ON THIS SHEET	RKL
2	4/4/11	REVISIONS PER REVIEWERS COMMENTS	RKL
1	3/10/2011	NO CHANGES ON THIS SHEET	RKL

CONTECH
CONSTRUCTION PRODUCTS INC.
www.contech-spi.com
9025 Centre Pointe Dr., Suite 400, West Chester, OH 45069
800-338-1122 513-645-7000 513-645-7993 FAX

CONSPAN
BRIDGE SYSTEMS
CONTECH
FABRICATION
DRAWING

HARTFORD TH#
VERMONT AGENCY OF TRANSPORTATION
HARTFORD, VT