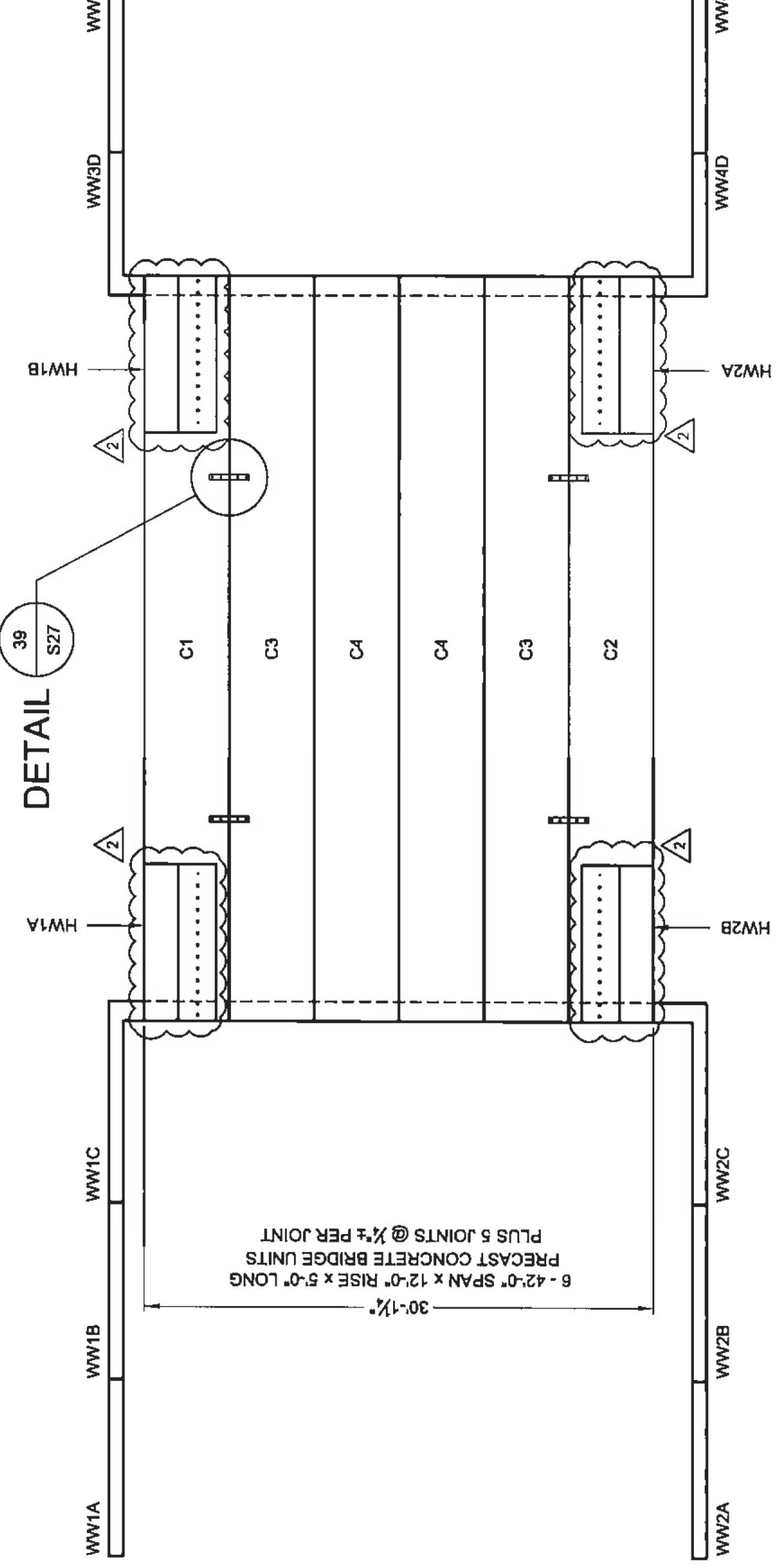


HARTFORD TH#81 BRIDGE #36 VERMONT AGENCY OF TRANS. PROJECT # STP. HARTFORD, VERMONT



KEY PLAN

Vermont Agency of Transportation
RECEIVED
CK'D BY GML OK' OK
7:13 am, May
RESUBMIT AP
BY KMH DA

The design and information shown on this drawing is provided as a service to the project owner, engineer and contractor by CONTECH Construction Products Inc. or one of its affiliates. CONTECH Construction Products Inc. or one of its affiliates is not responsible for the use, reproduction or modification of any drawings, specifications or information shown on this drawing without the prior written consent of CONTECH. Failure to obtain the prior written consent of CONTECH may constitute a breach of any applicable laws, regulations or codes and may result in a claim against CONTECH. CONTECH accepts no liability for design based on drawings, specifications or information supplied by others.

MARK	DATE	REVISION DESCRIPTION	BY
5	4/27/2011	NO CHANGES ON THIS SHEET	RKL
4	4/19/2011	NO CHANGES ON THIS SHEET	RKL
3	4/8/2011	NO CHANGES ON THIS SHEET	RKL
2	4/4/11	REVISIONS PER REVIEWERS COMMENTS	RKL
1	3/10/2011	NO CHANGES ON THIS SHEET	RKL

CONTECH
CONSTRUCTION PRODUCTS INC.
www.contech-cpi.com
9025 Centre Pointe Dr., Suite 400, West Chester, OH 45069
800-338-1122 513-645-7000 513-645-7993 FAX

CONISPAN
BRIDGE SYSTEMS
CONTECH
FABRICATION
DRAWING

HARTFORD TH#81
VERMONT AGENCY OF TRANSPORTATION
HARTFORD, VERMONT