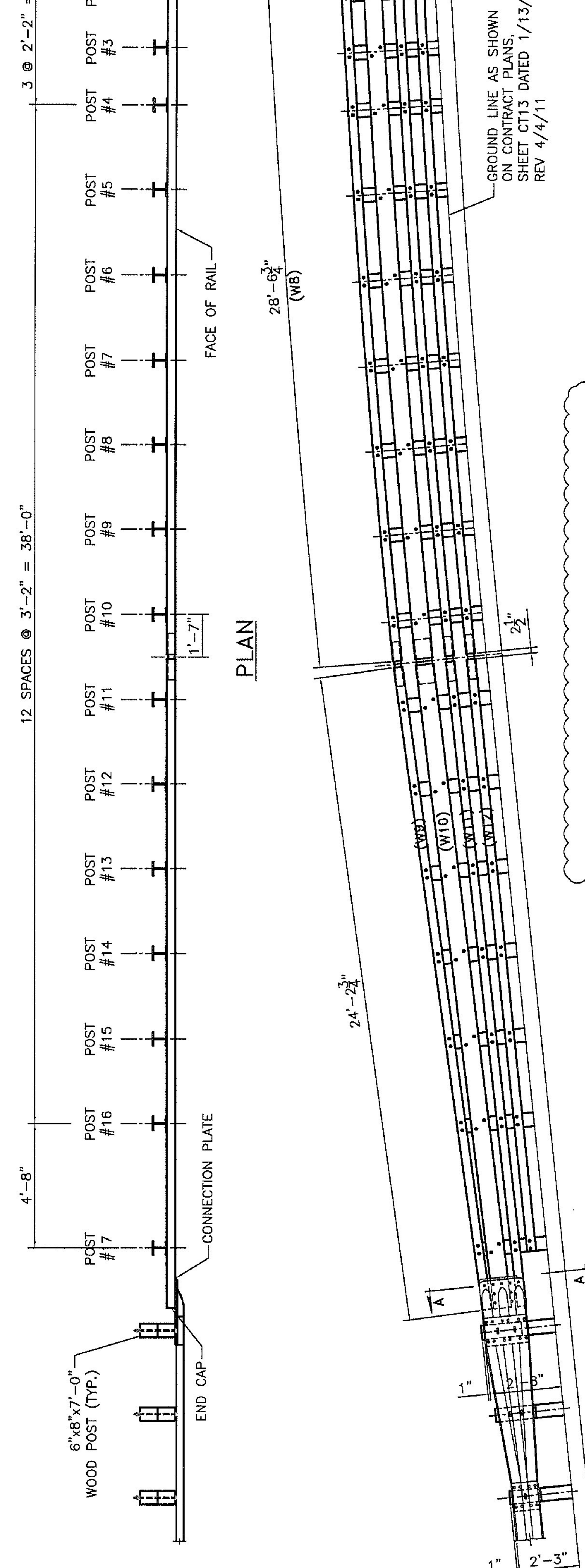


ELEVATION - APPROACH RAIL WW2
FACING SOUTH FROM ϕ ROAD



ELEVATION - APPROACH RAIL WW4
FACING SOUTH FROM ϕ ROAD

Vermont Agency
RECEIVED
CK'D BY GML
9:00 am, 1/13/11
RESUBMIT
BY TCF

No.	Remarks	Date
2	Per reviewer	06-10-11
1	Ground profile	05-17-11
0	Initial submittal	12-15-10

REVISIONS