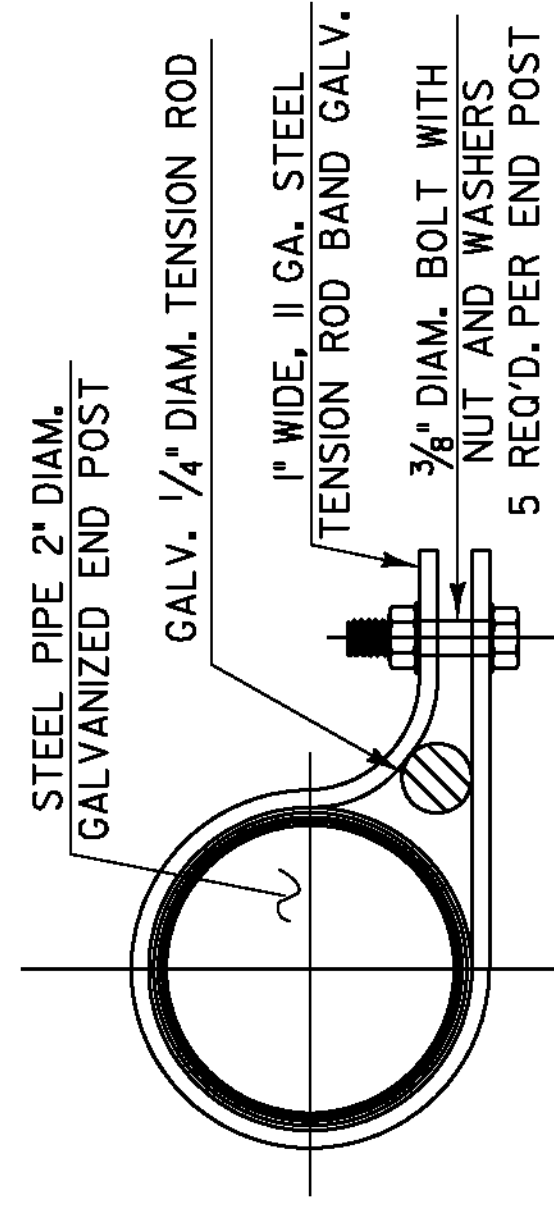


TYPICAL SECTION

NOTE: FOR DIMENSIONS SEE BRIDGE RAIL SHEET.



TENSION ROD BAND

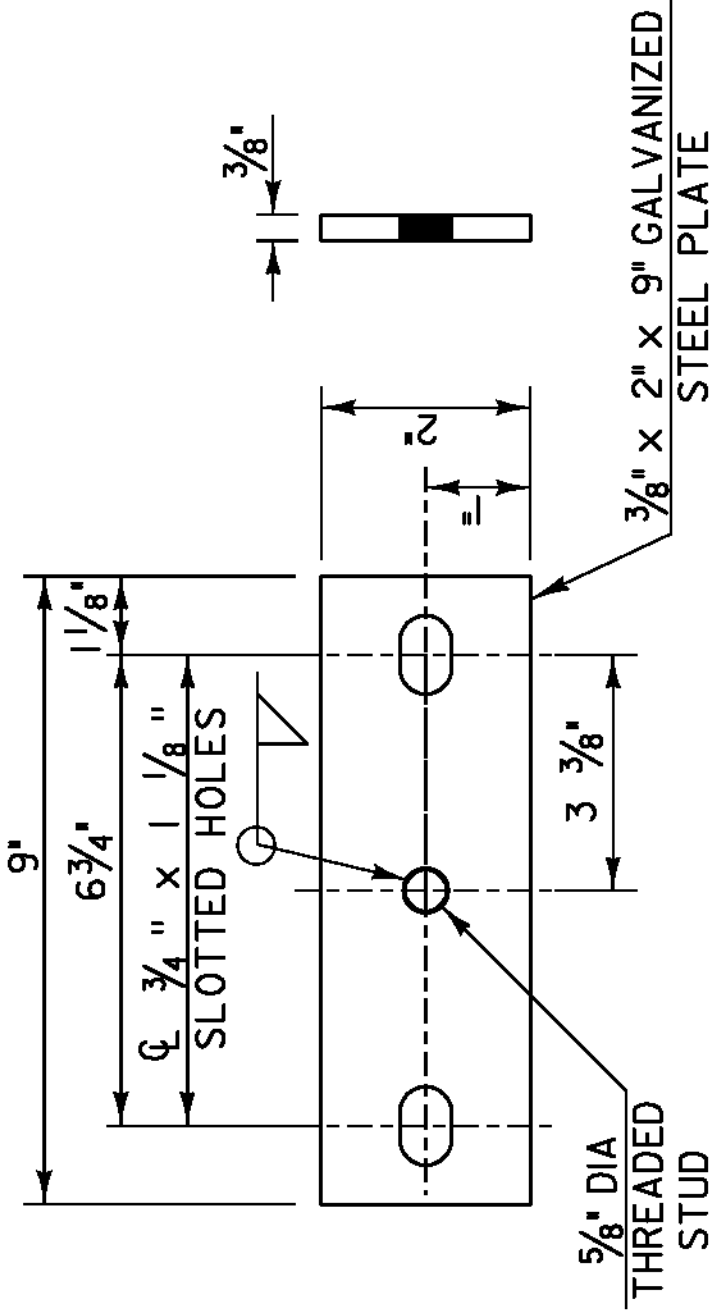
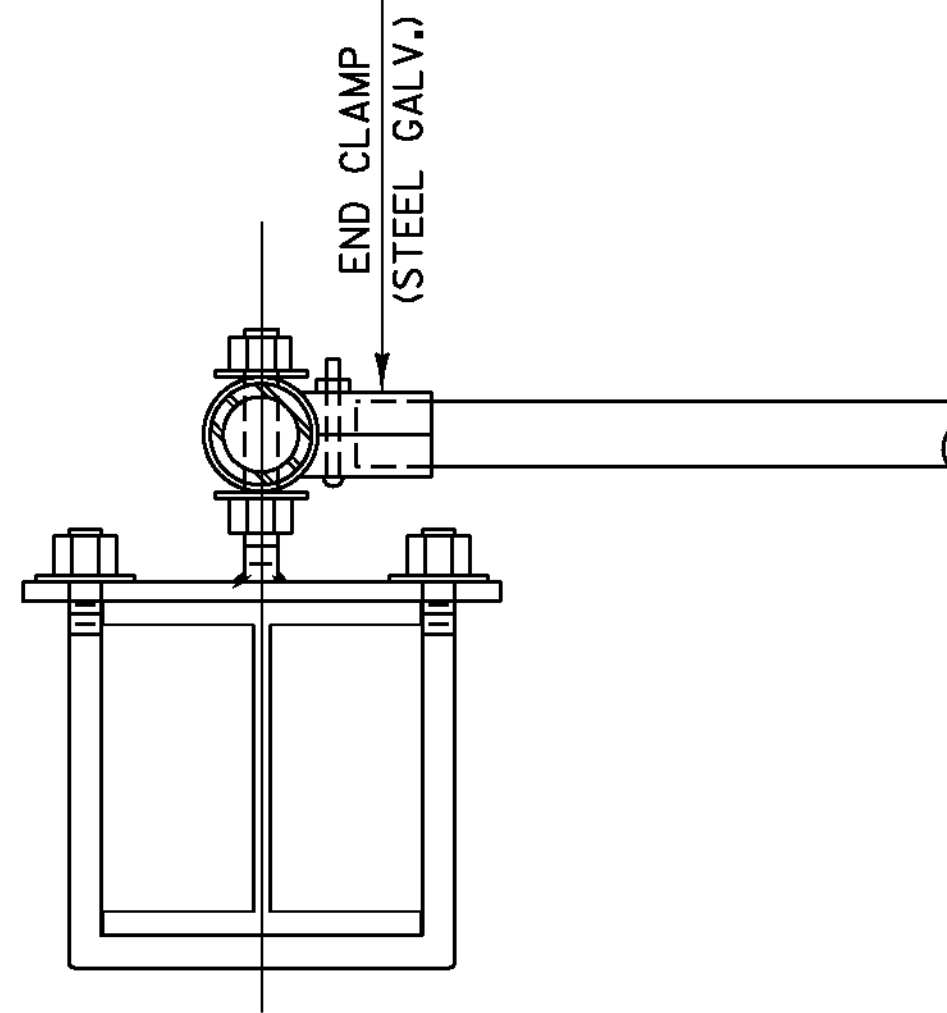
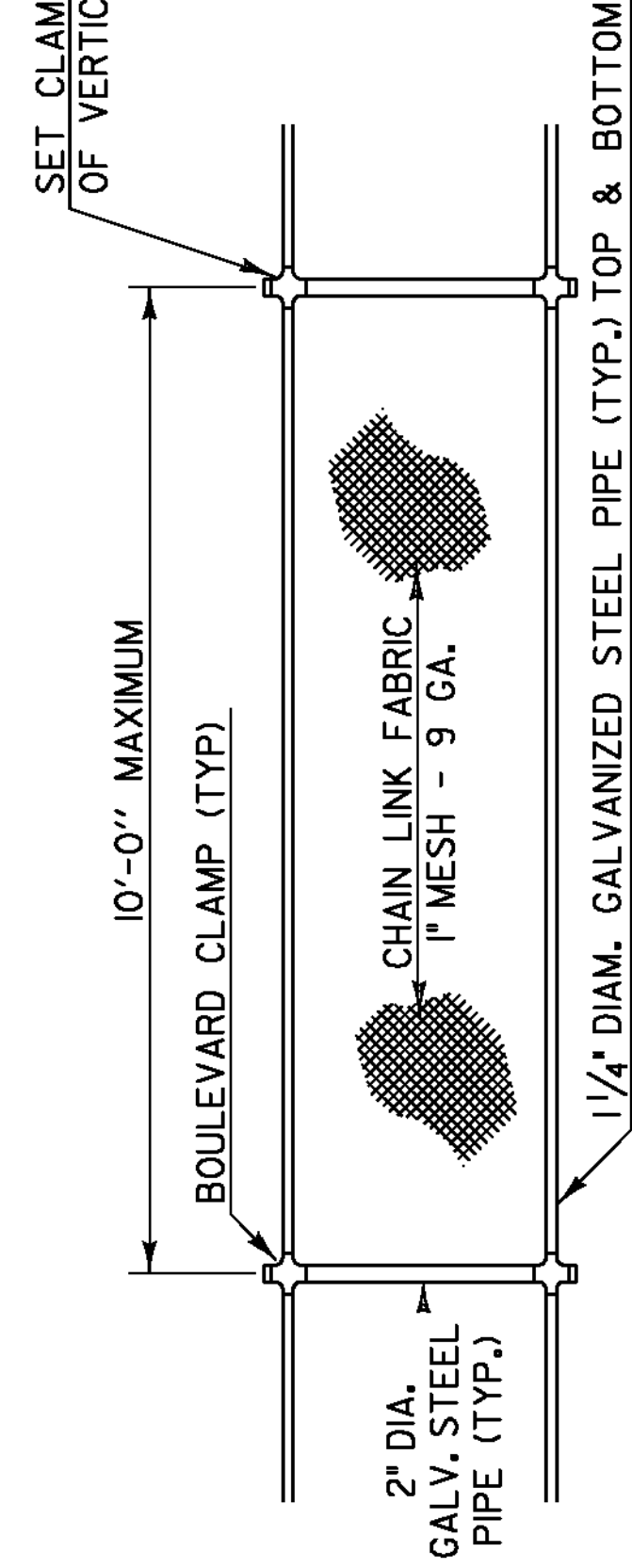


PLATE DETAILS

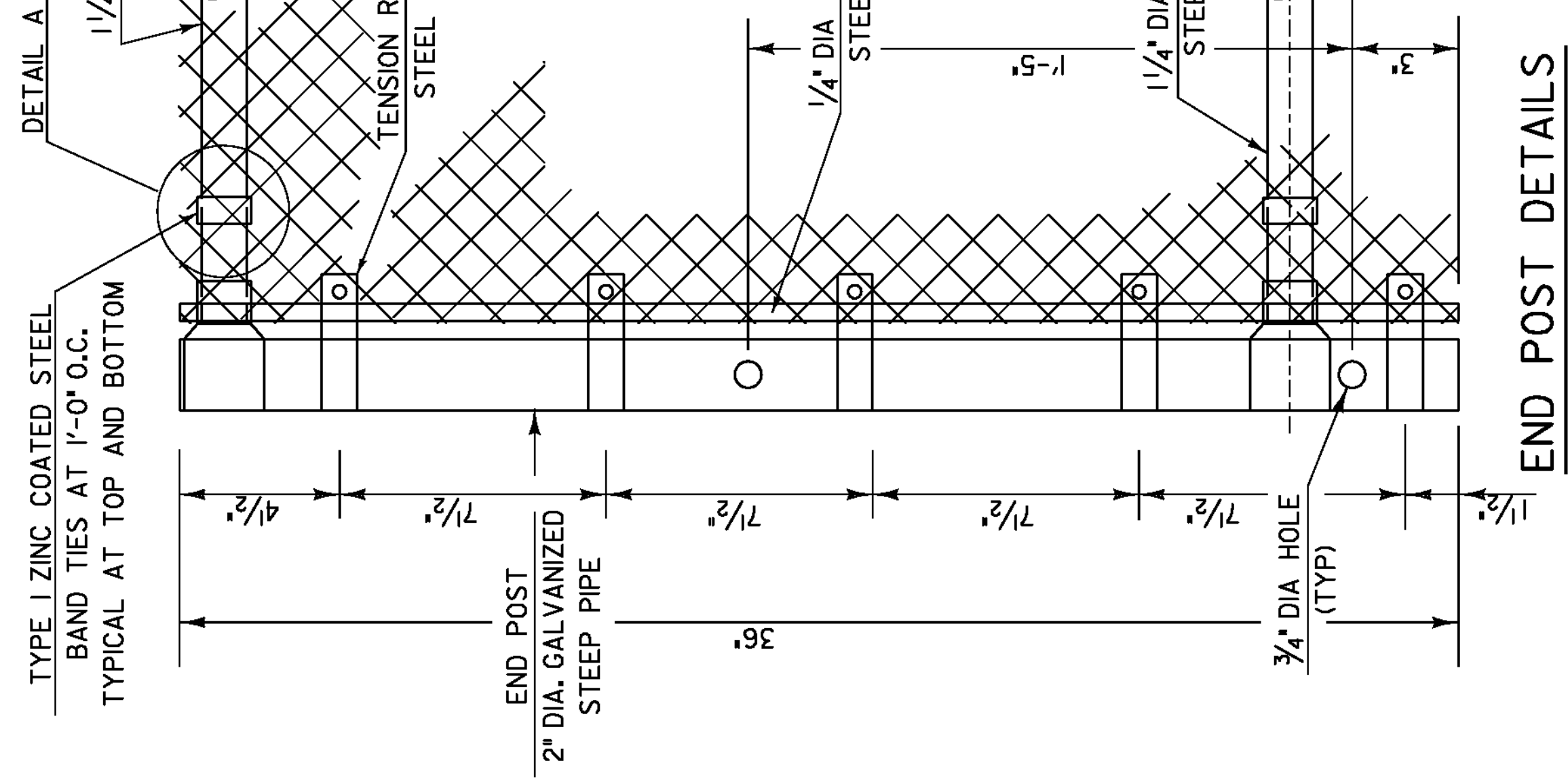
SECTION A-A



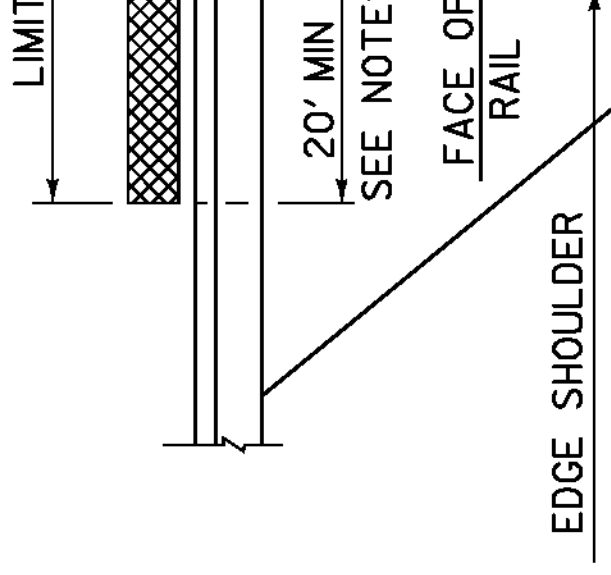
PLAN VIEW AT END POST



ELEVATION SNOW BARRIER



END POST DETAILS



SCHEMATIC

- NOTE**
1. THREADS ALL CON
 2. ALL CO
 3. 1 1/4" F
 4. CHAIN L
 5. ALL BOL SPECIF ASHTO
 6. ALL STEE M270 GF
 7. ALL GALV M-18 I
 8. CHA IN-1 THE PR
 9. SNOW BA PROVIDI THE EN
 10. ALL REF
 11. ALL POS TO THE

SNOW FENCE FOR BRIDGE RAILING - N.E.T.C. 4 RAIL - SIDEWALK ONLY