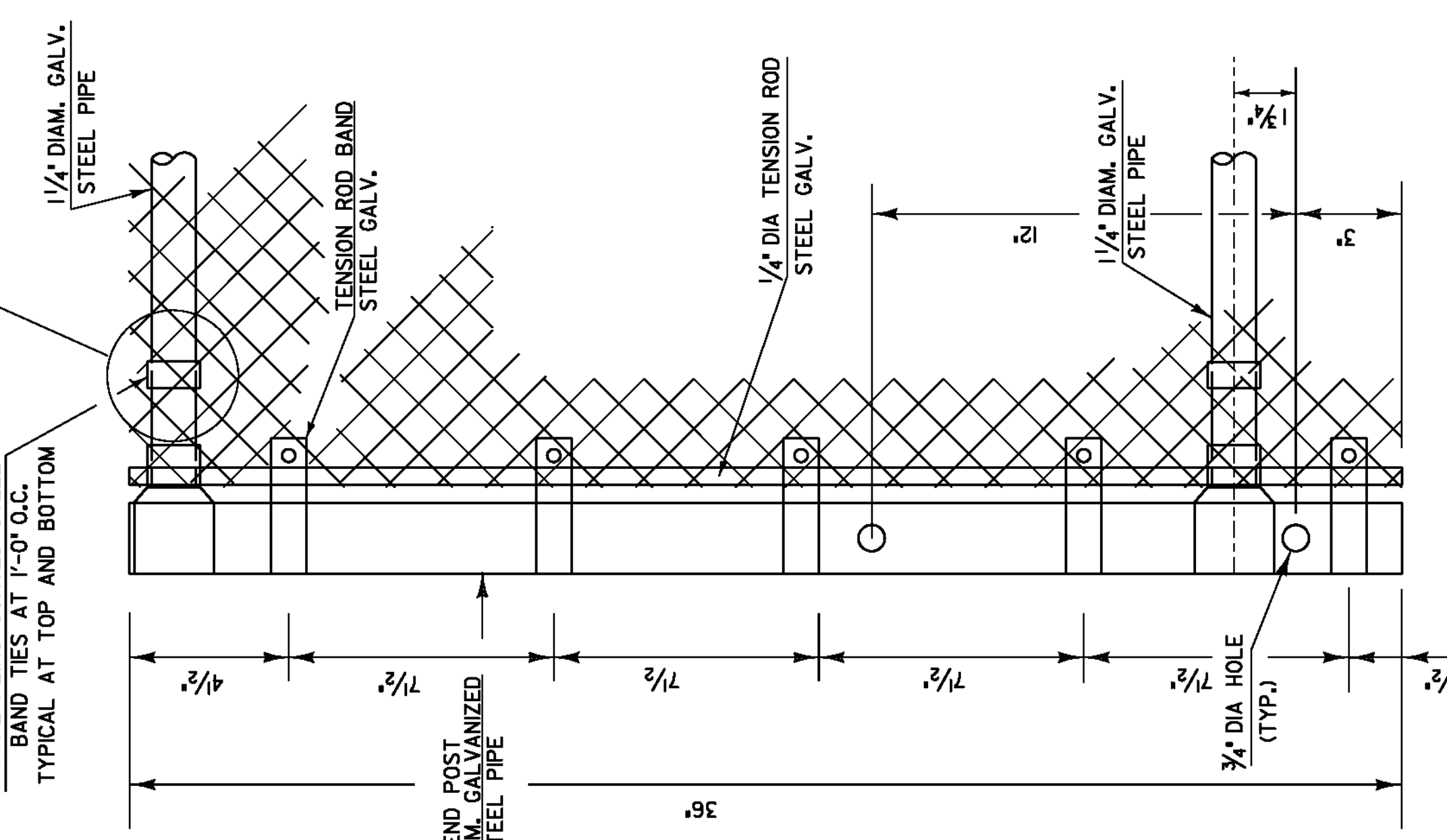
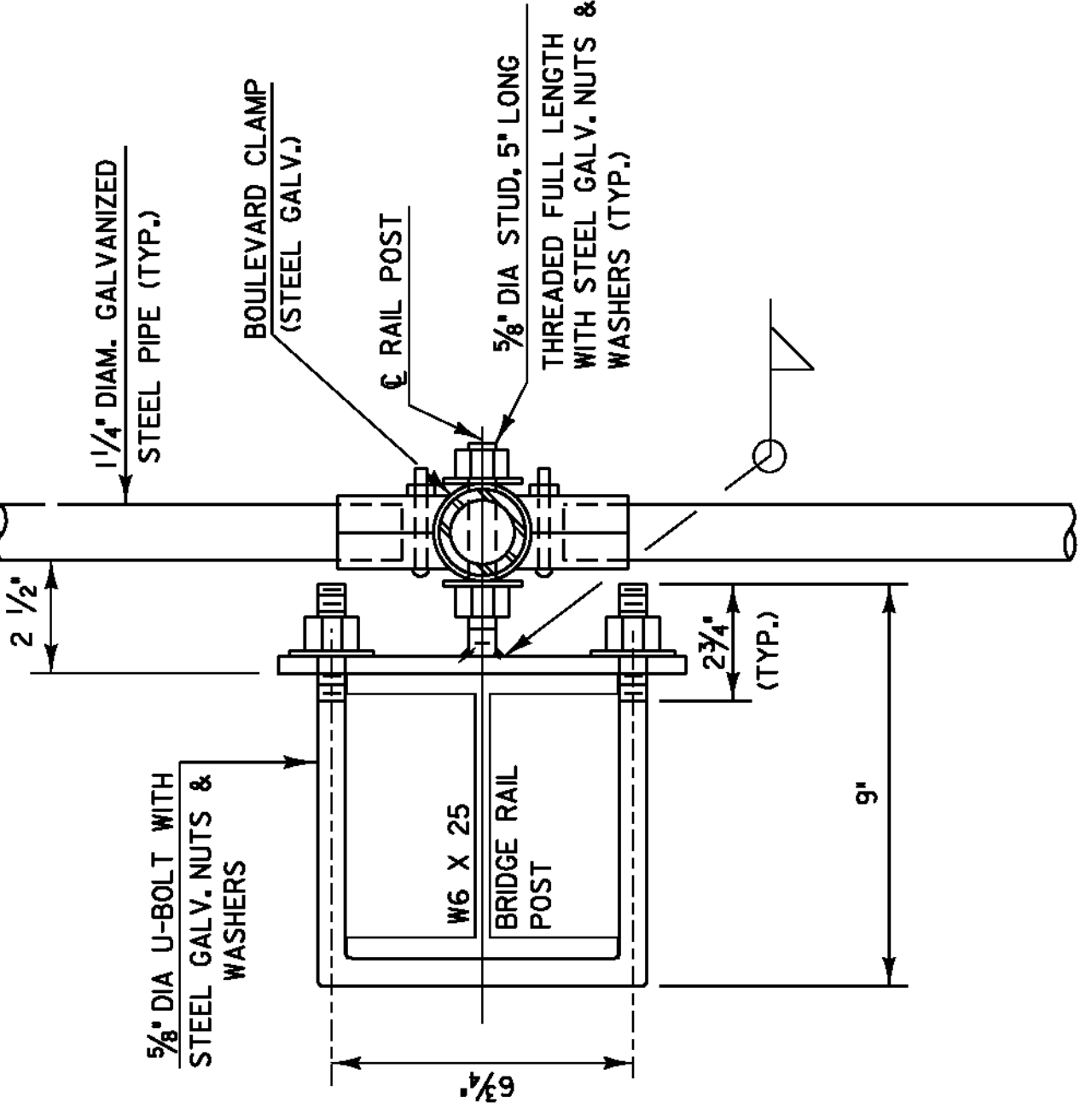


NO.

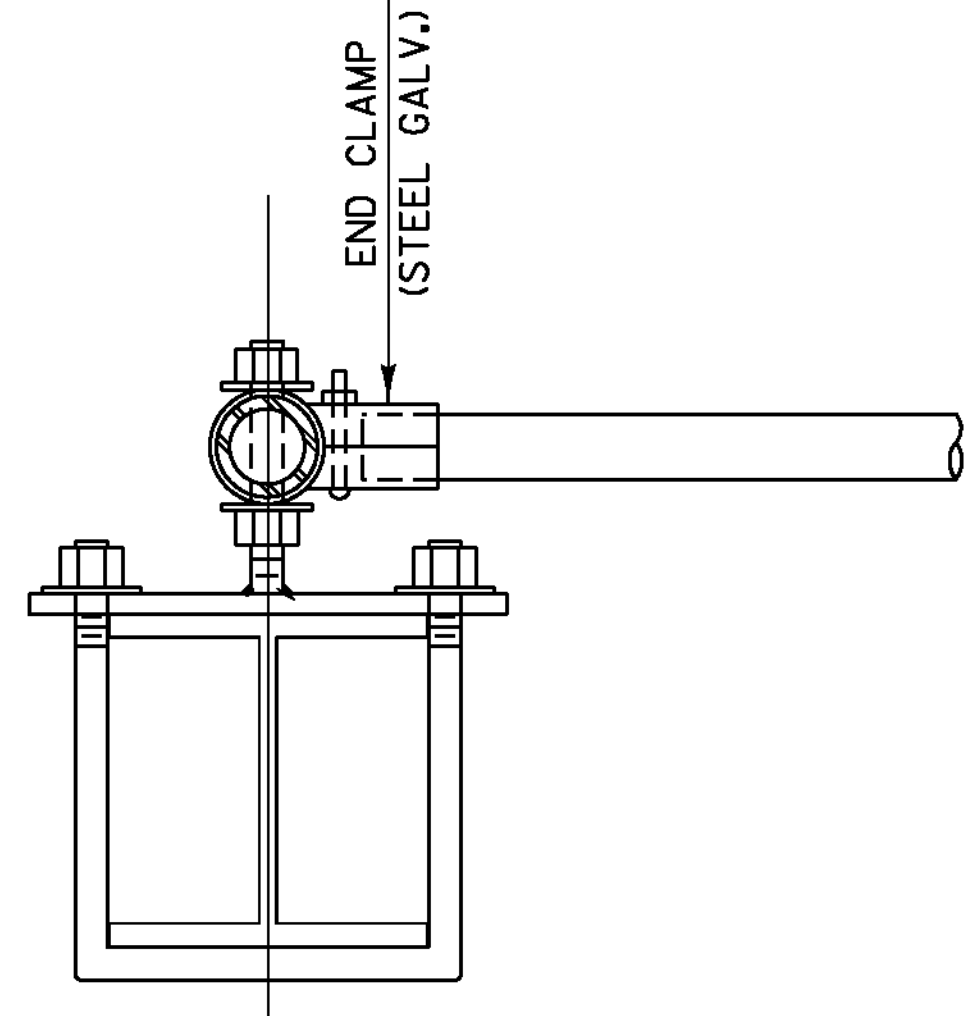
- 1. THRI
- 2. ALL
- 3. 1/4
- 4. CHA
- 5. ALL
- 6. ALL
- 7. ALL
- 8. CHA
- 9. SNO
- 10. ALL
- 11. ALL



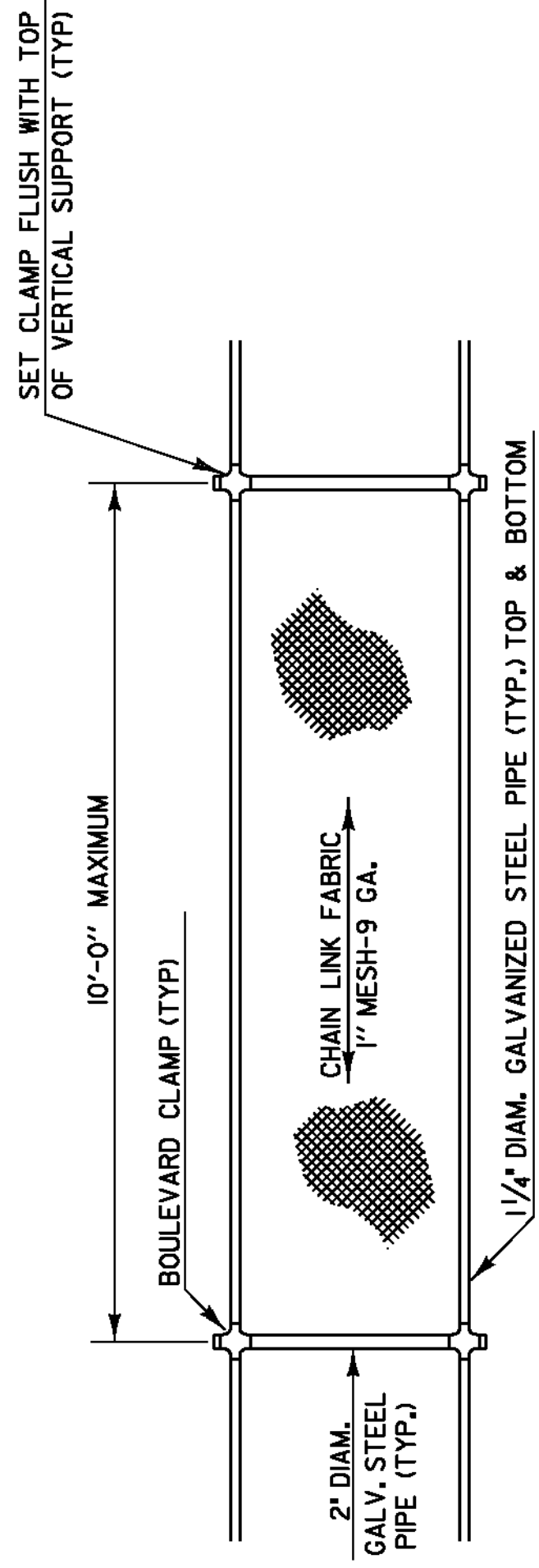
END POST DETAILS



SECTION A-A

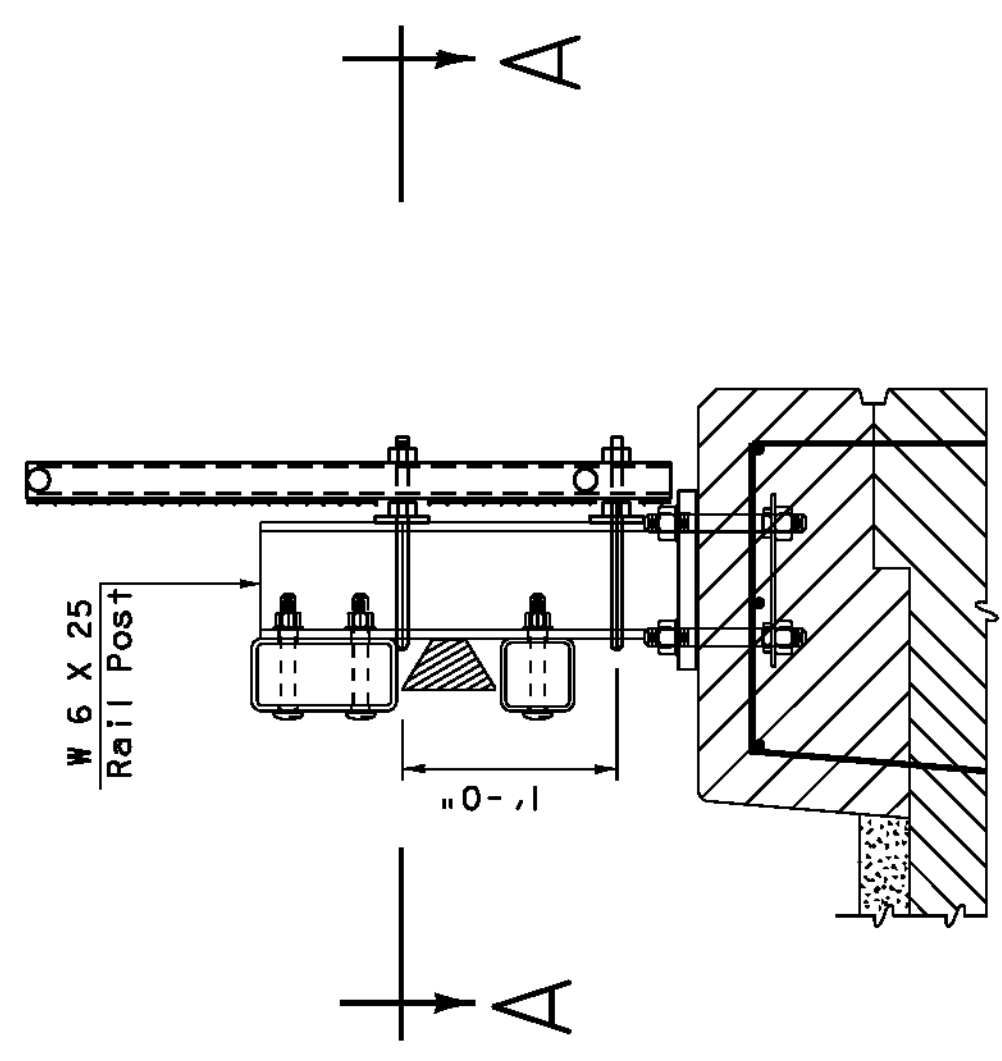


PLAN VIEW AT END POST



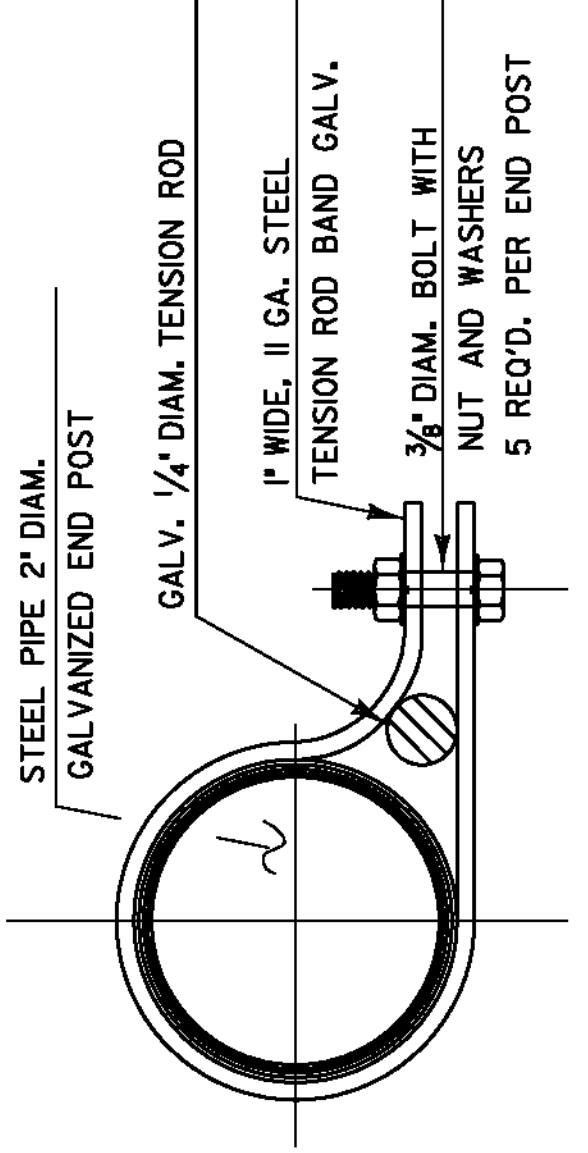
ELEVATION SNOW BARRIER

SNOW FENCE FOR BRIDGE RAILING - N.E.T.C. 2 RAIL



TYPICAL SECTION

NOTE: FOR DIMENSIONS SEE BRIDGE RAIL SHEETS.



TENSION ROD BAND

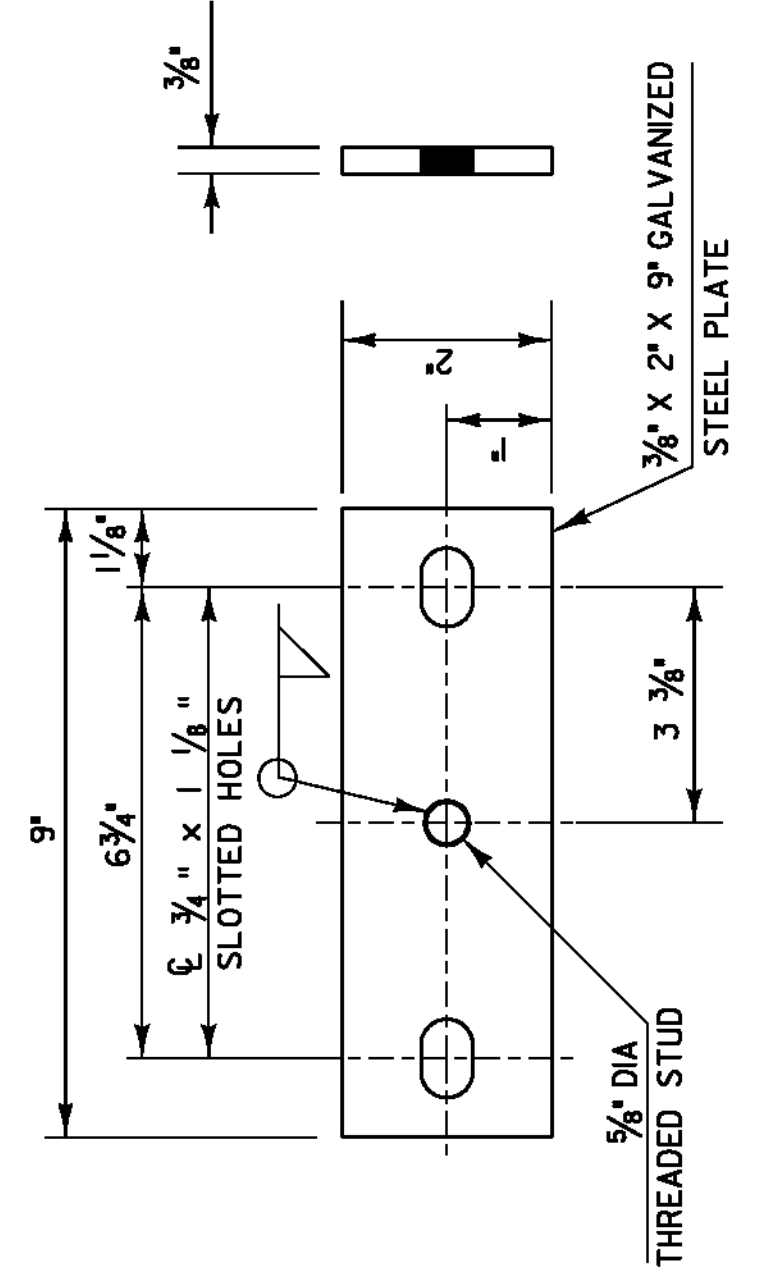
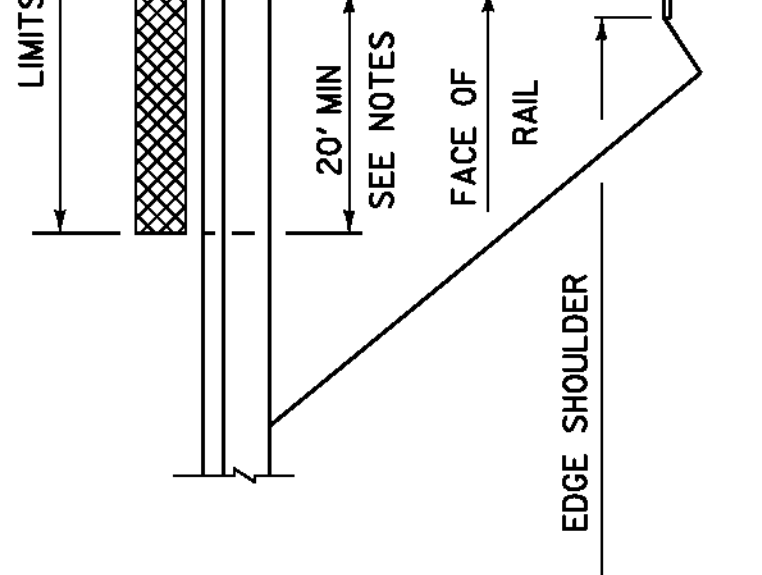


PLATE DETAILS



SCHEMATIC