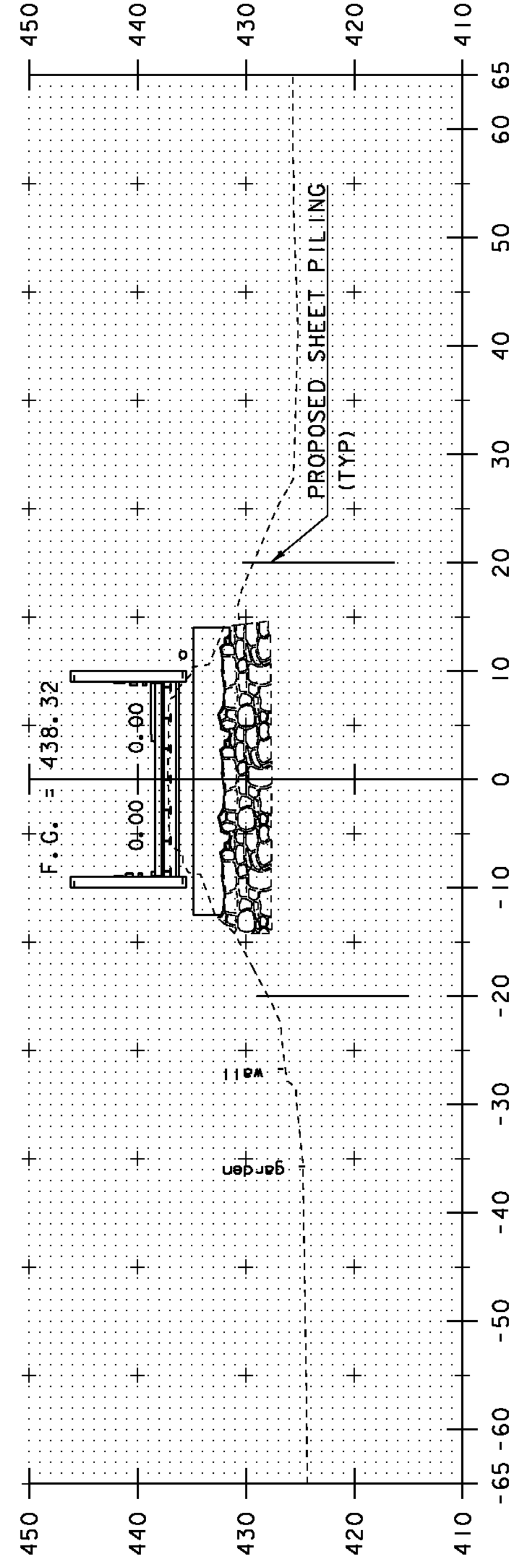
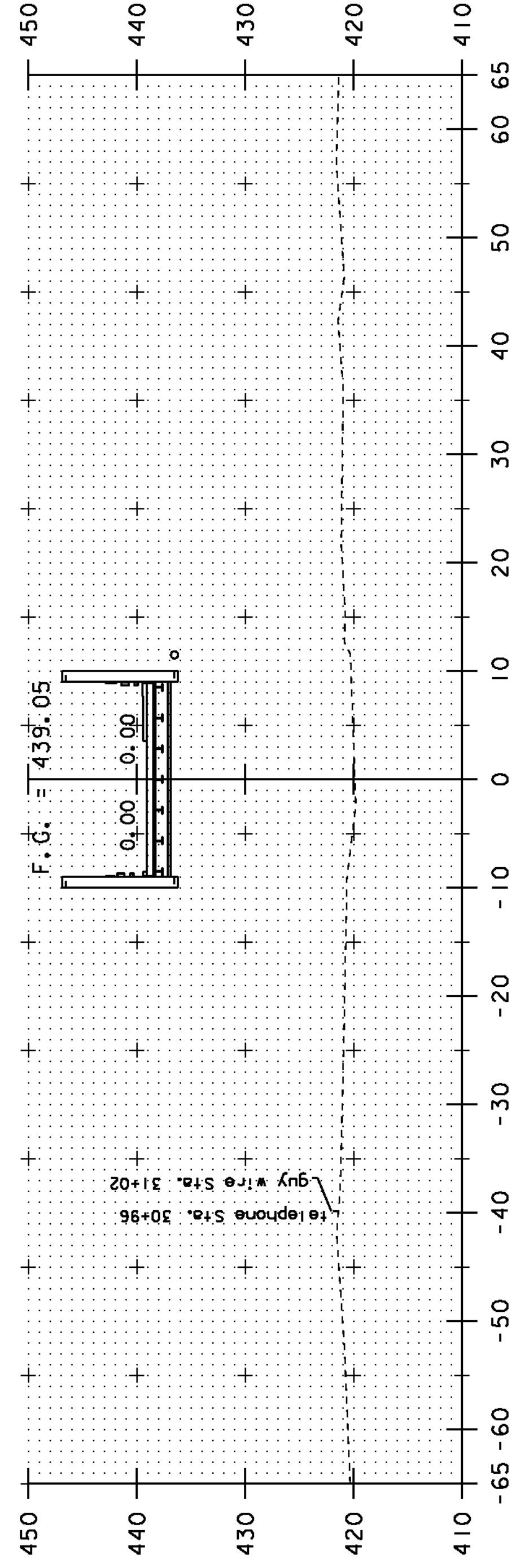


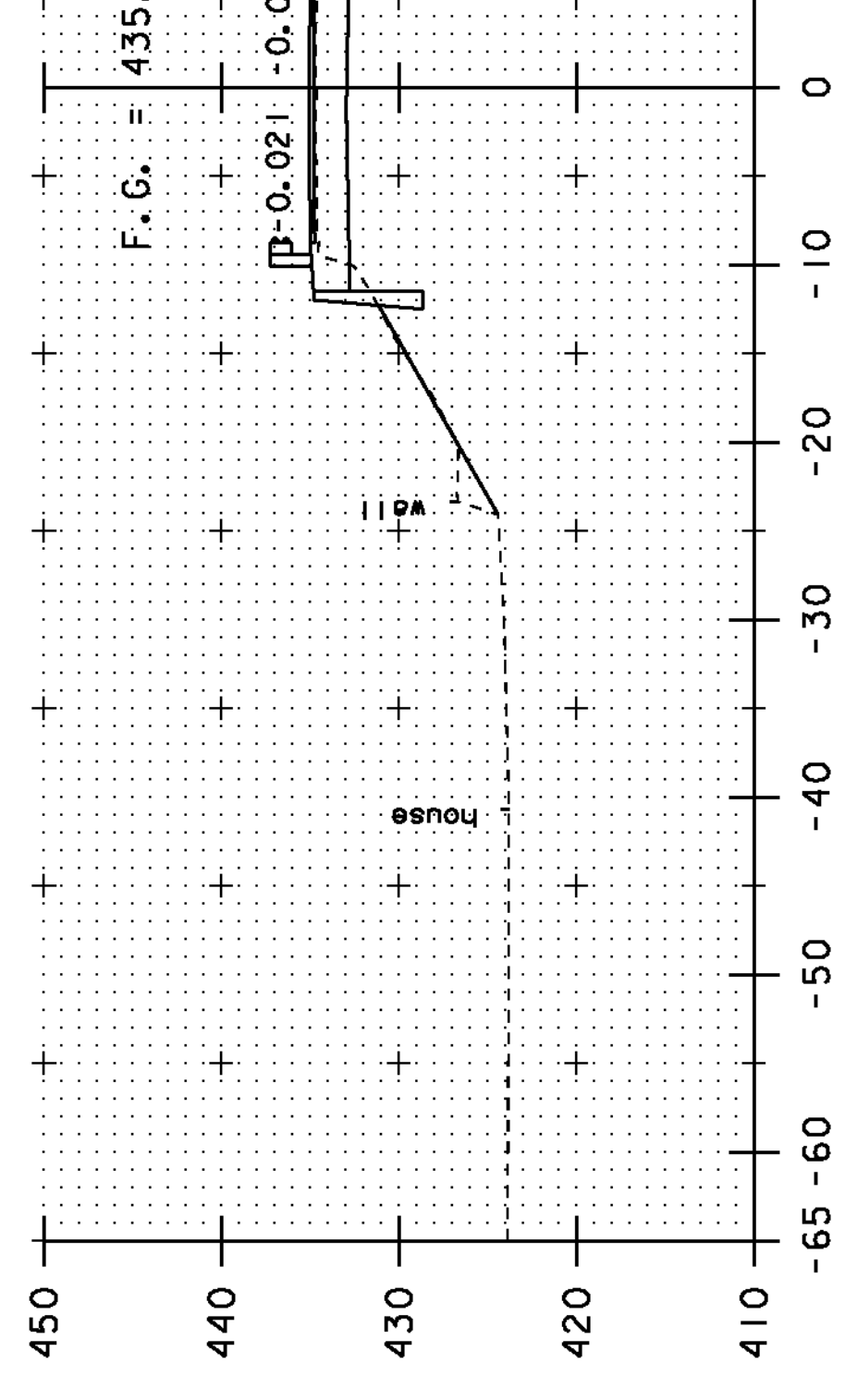
31+14.84



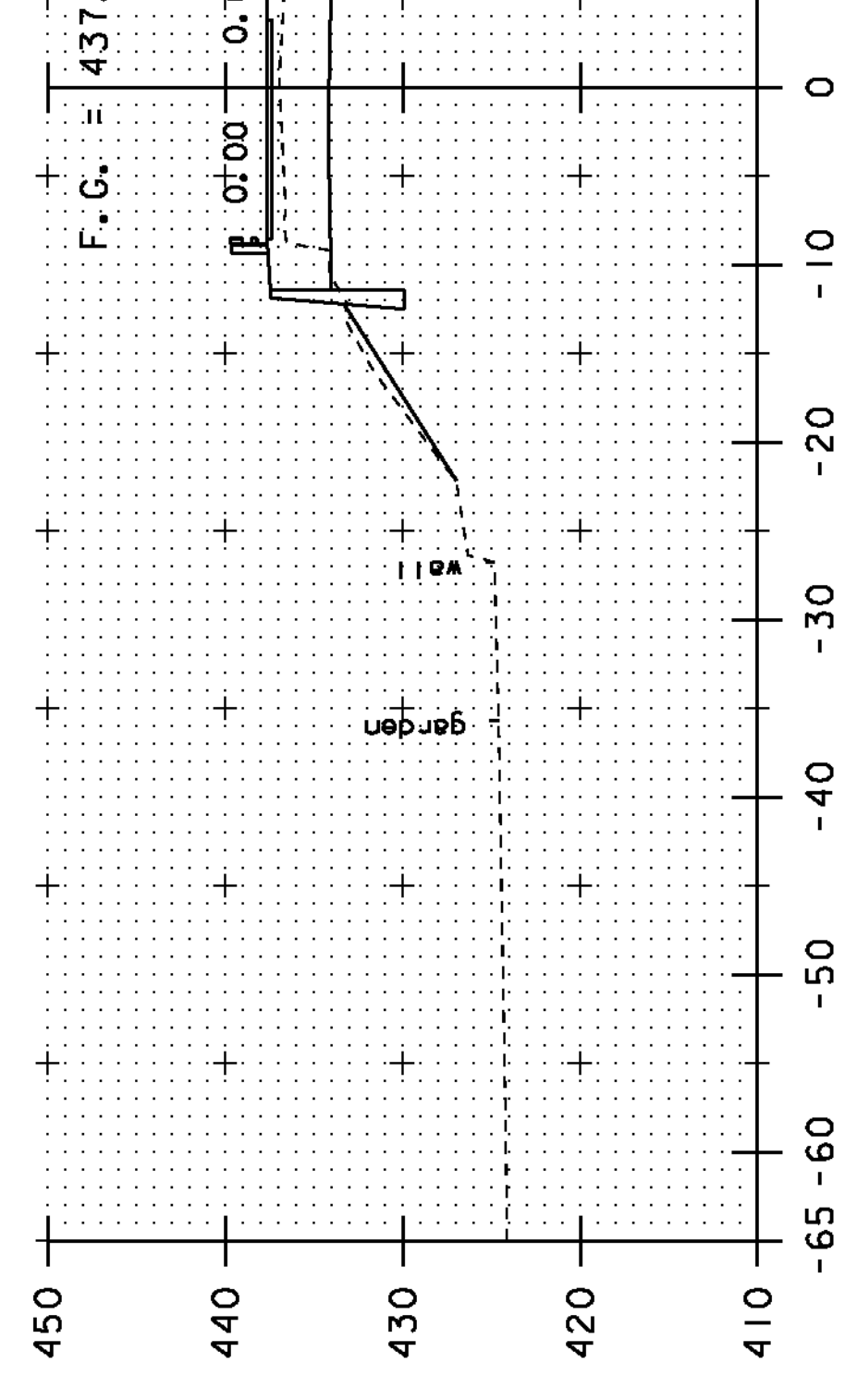
31+14.83  
END BRIDGE



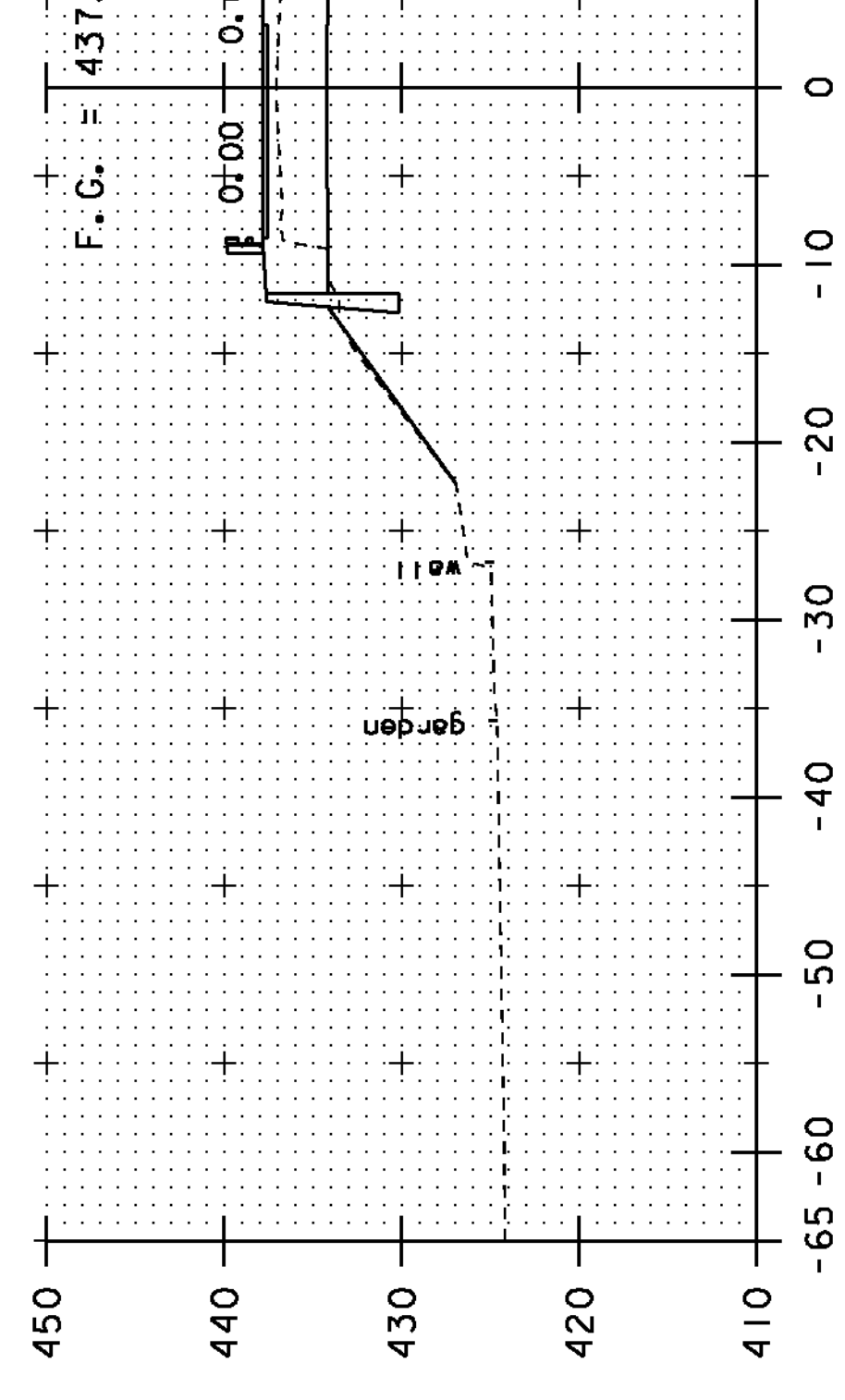
31+00.00



31+50.00



31+25.00



31+22.00

SCALE 1" = 10'-0"



STA. 31+00.00 TO STA. 31+50.00