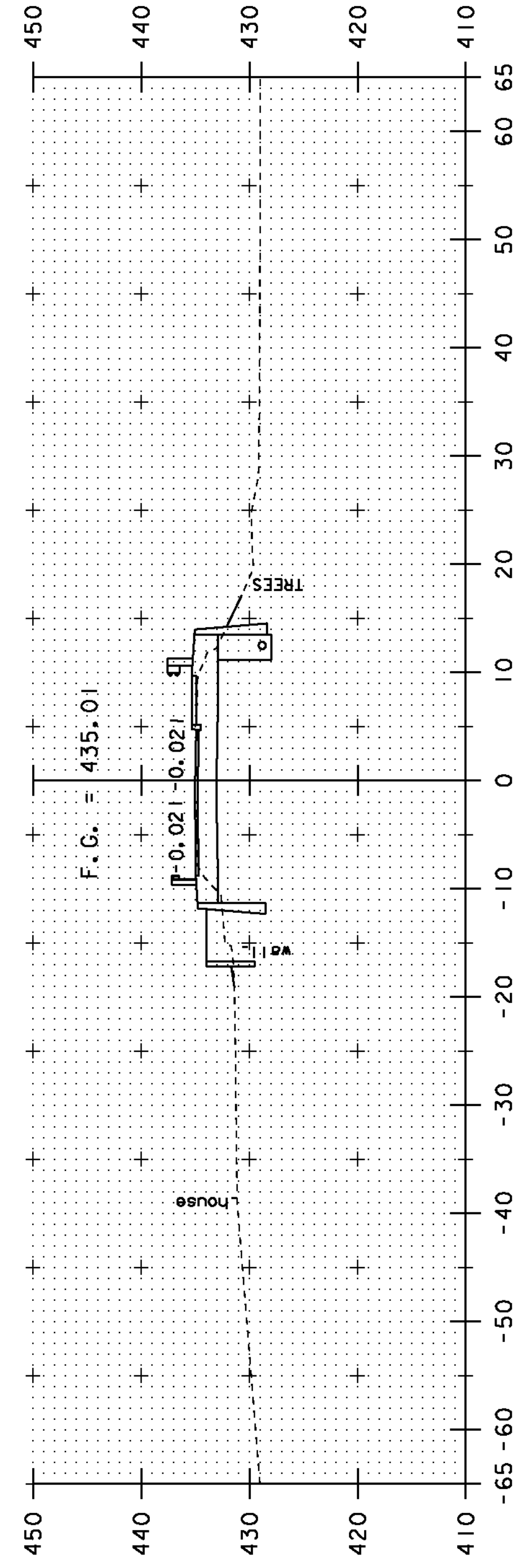
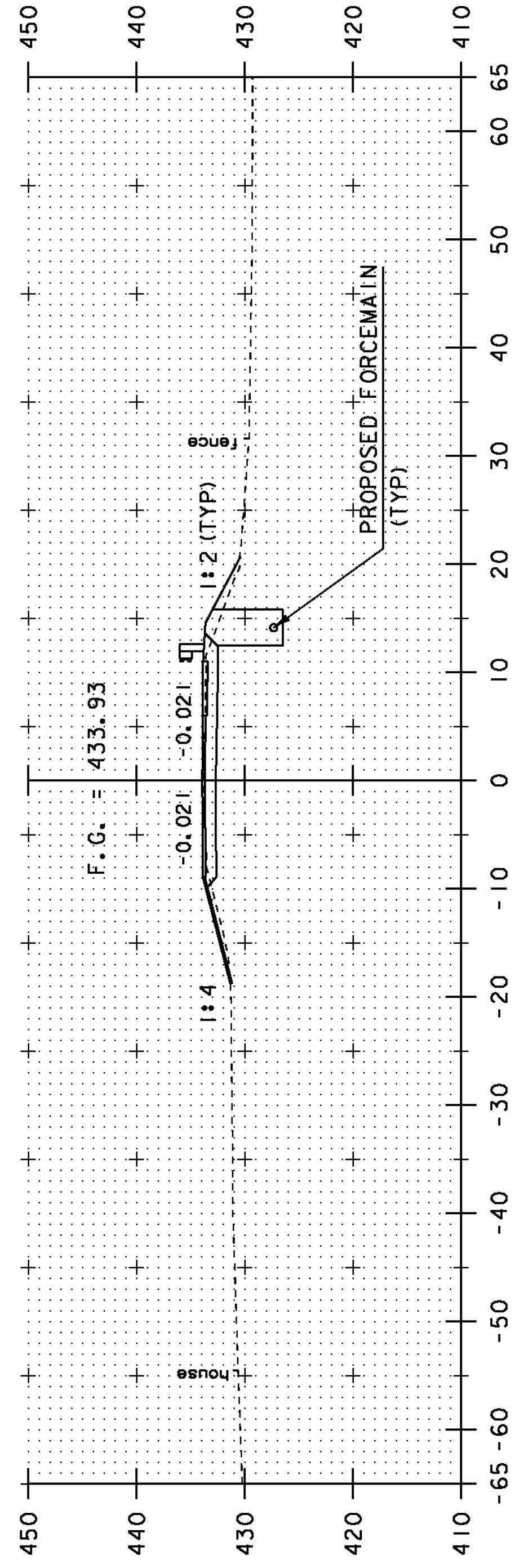


30+25.00



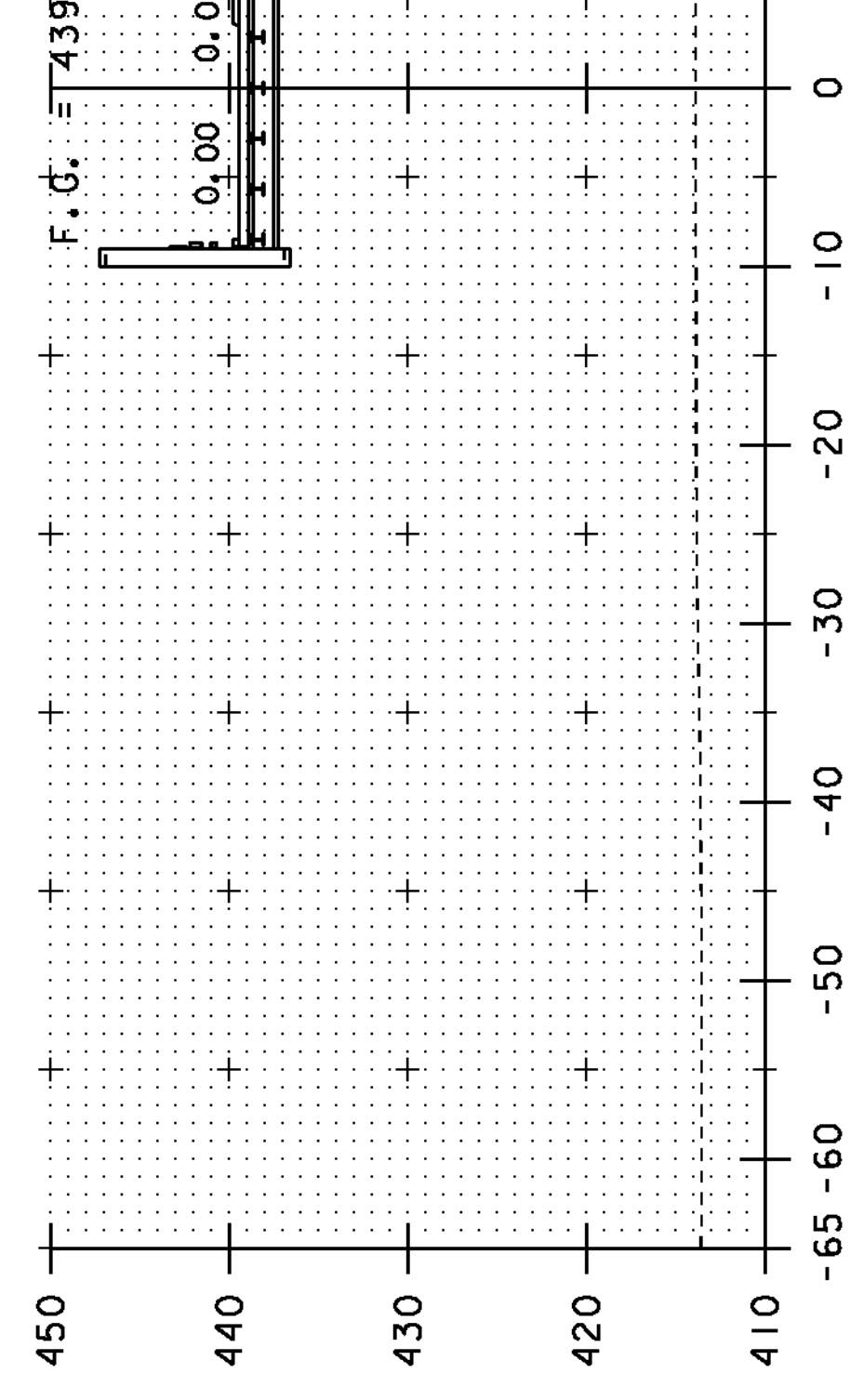
30+00.00



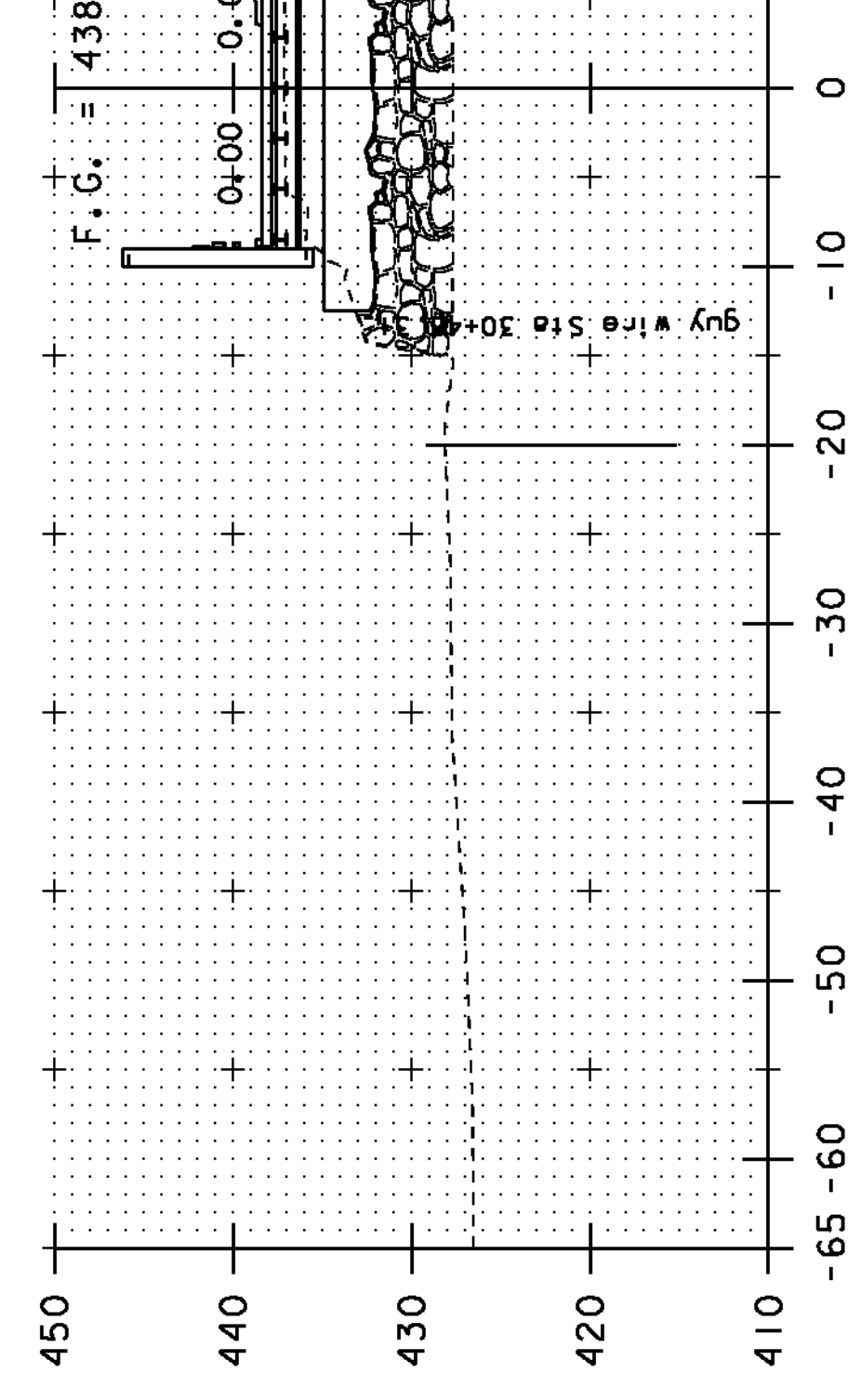
STA 29+70 LT
PAVED APRON & DRIVE

STA 29+85.15 - 30+42.00 RT
PORTLAND CEMENT CONCRETE
SIDEWALK (5 INCH)
CONCRETE CURB, TYPE B

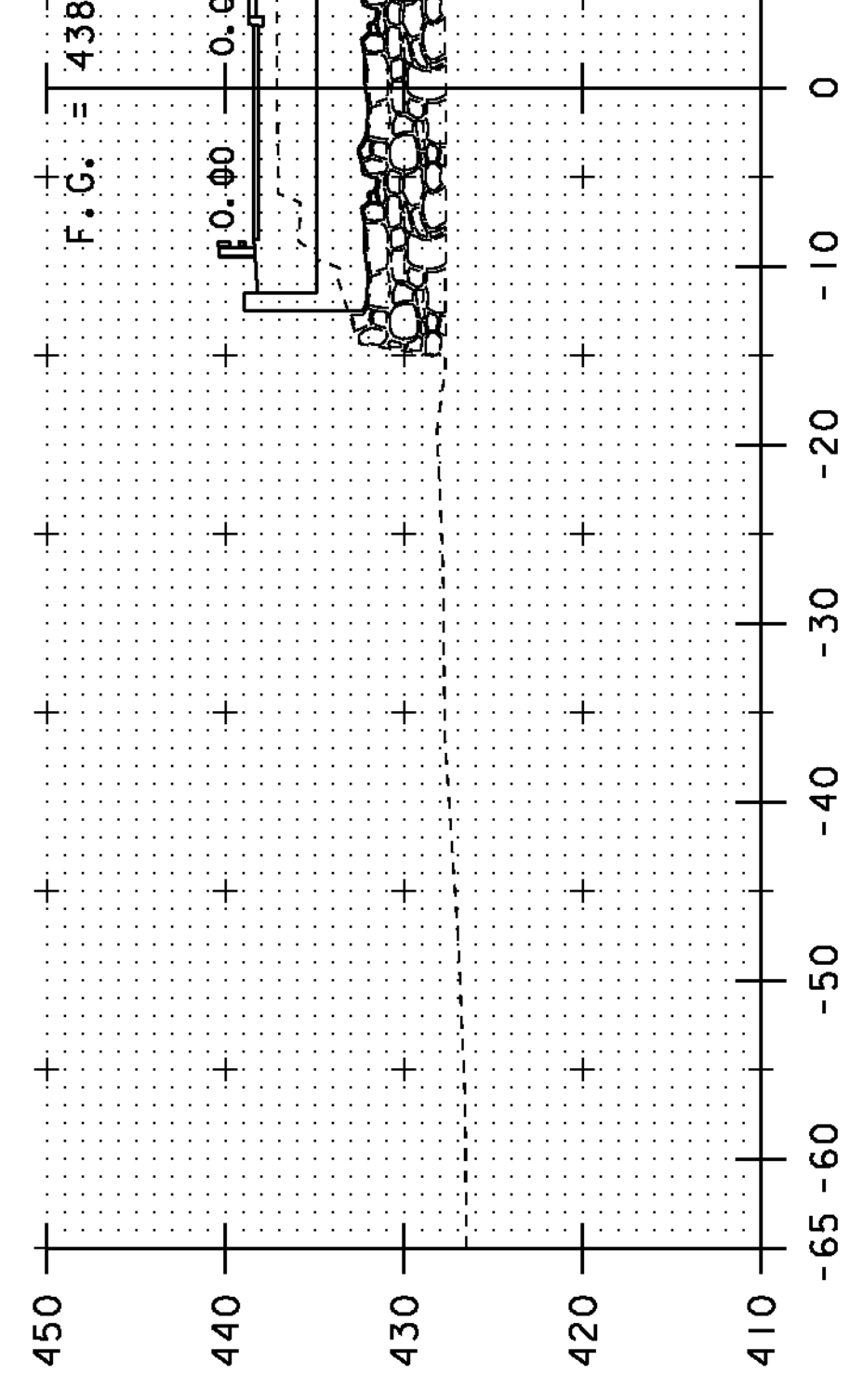
29+85.00



30+75.



30+41.
BEGIN BRI



30+41.

SCALE 1" = 10'-0"
10 0 10

STA. 29+85.00 TO STA. 30+75