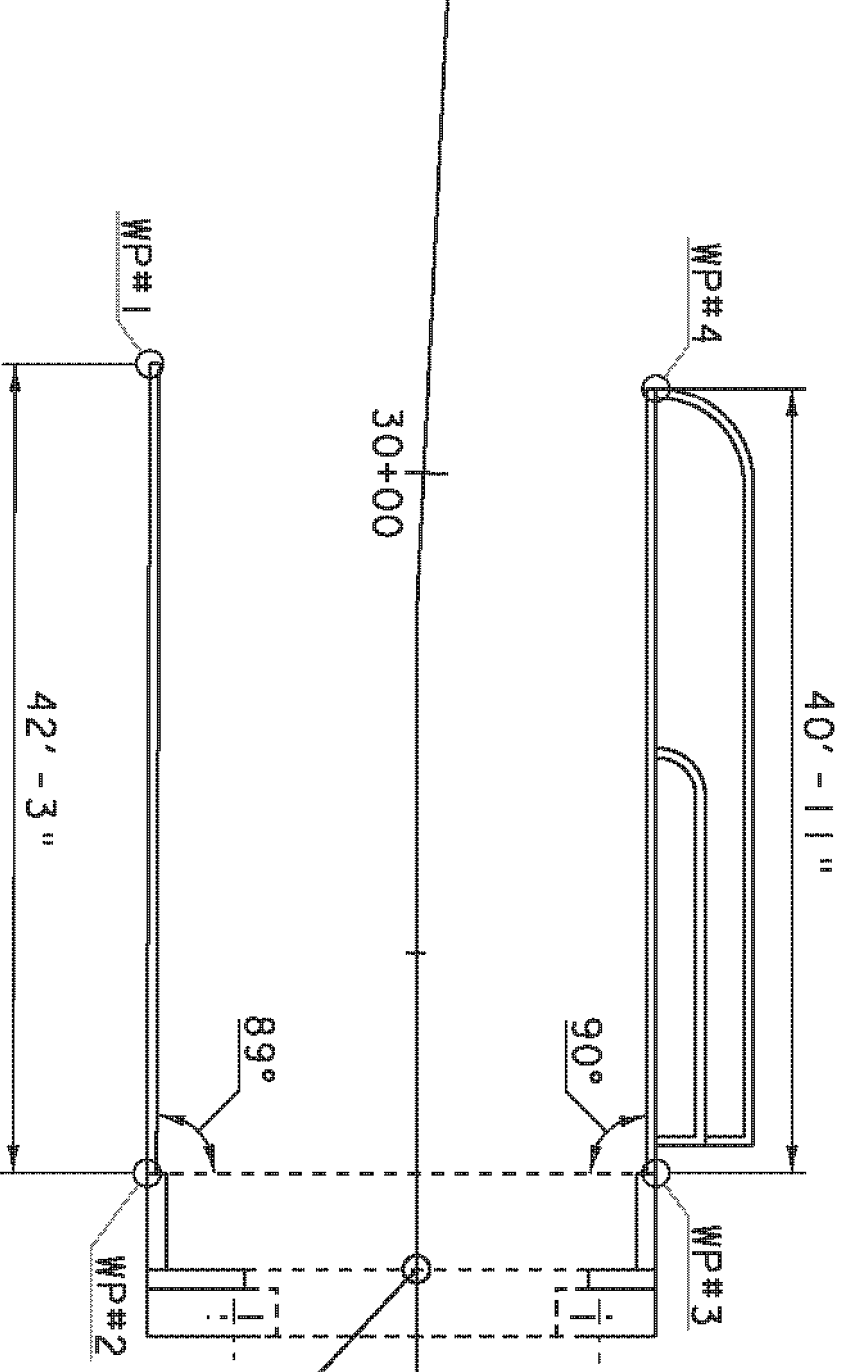
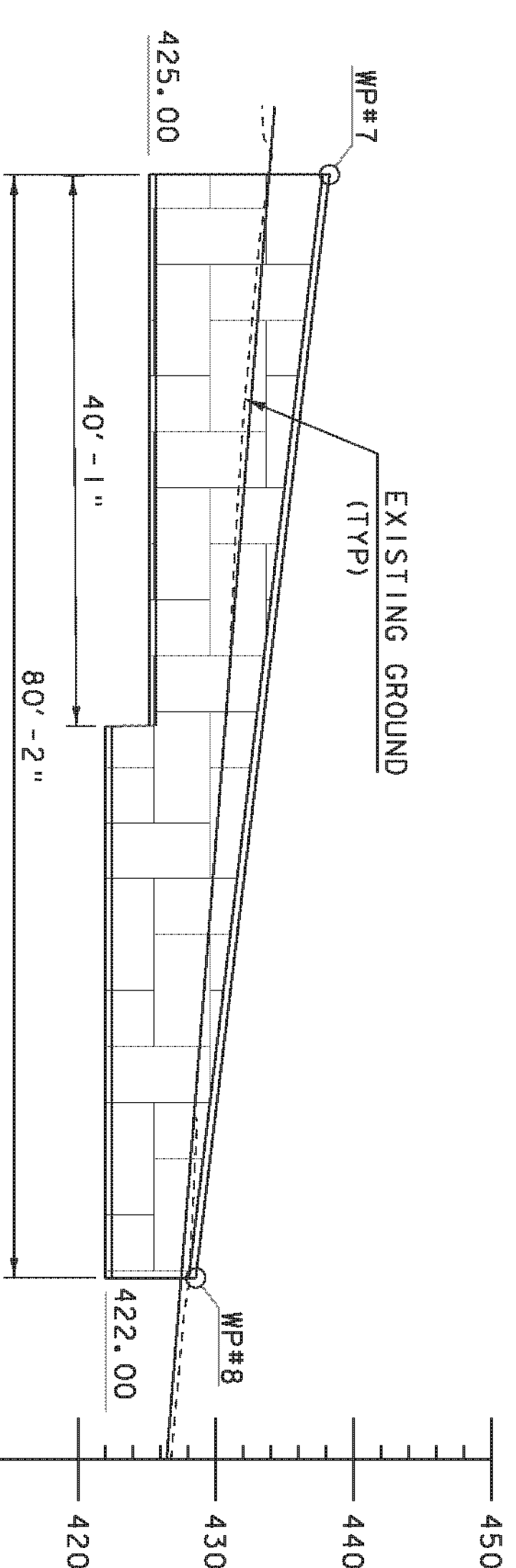


RETAINING WALL @ WW#1

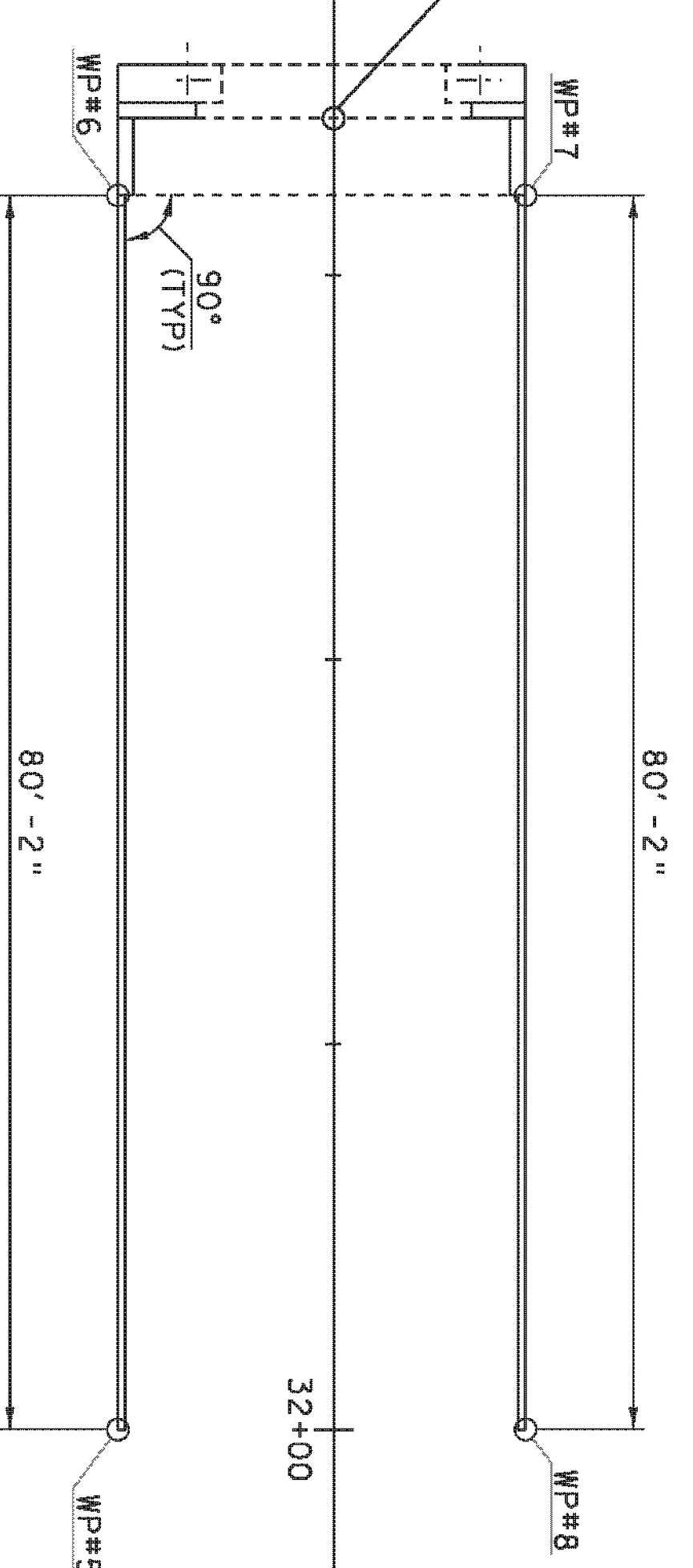


BEGIN BRIDGE  
STA 30+41.50  
F.G. = 438.35

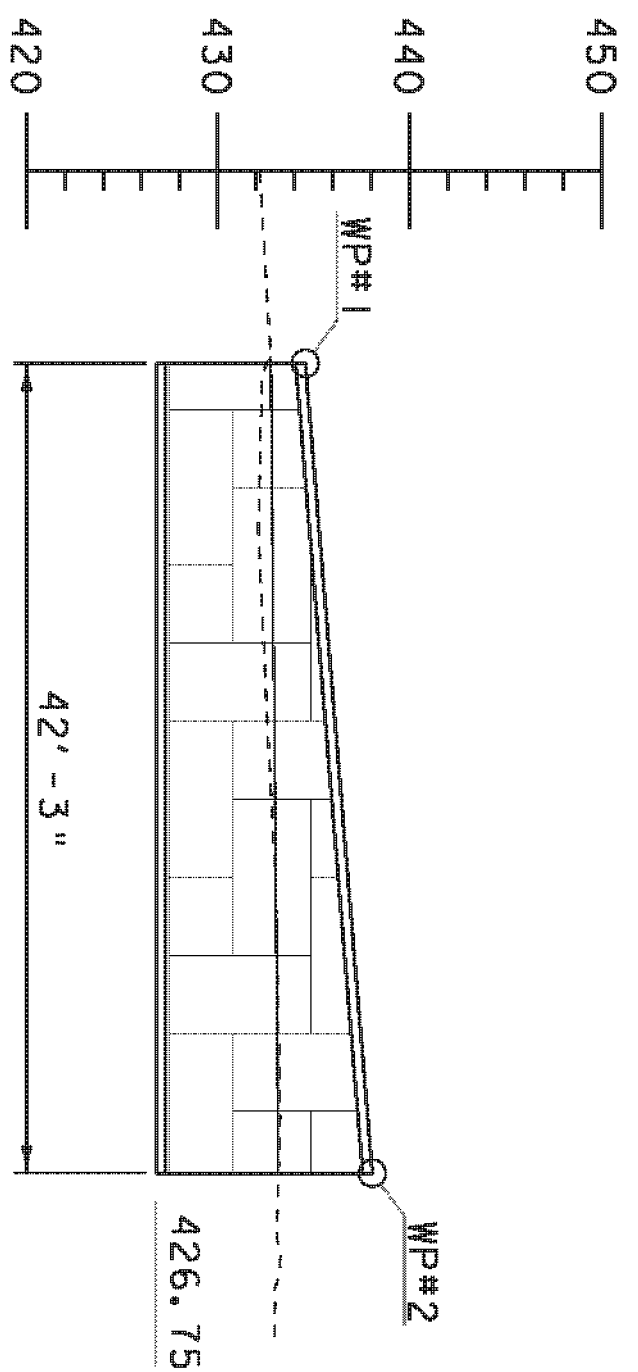
RETAINING WALL LAYOUT



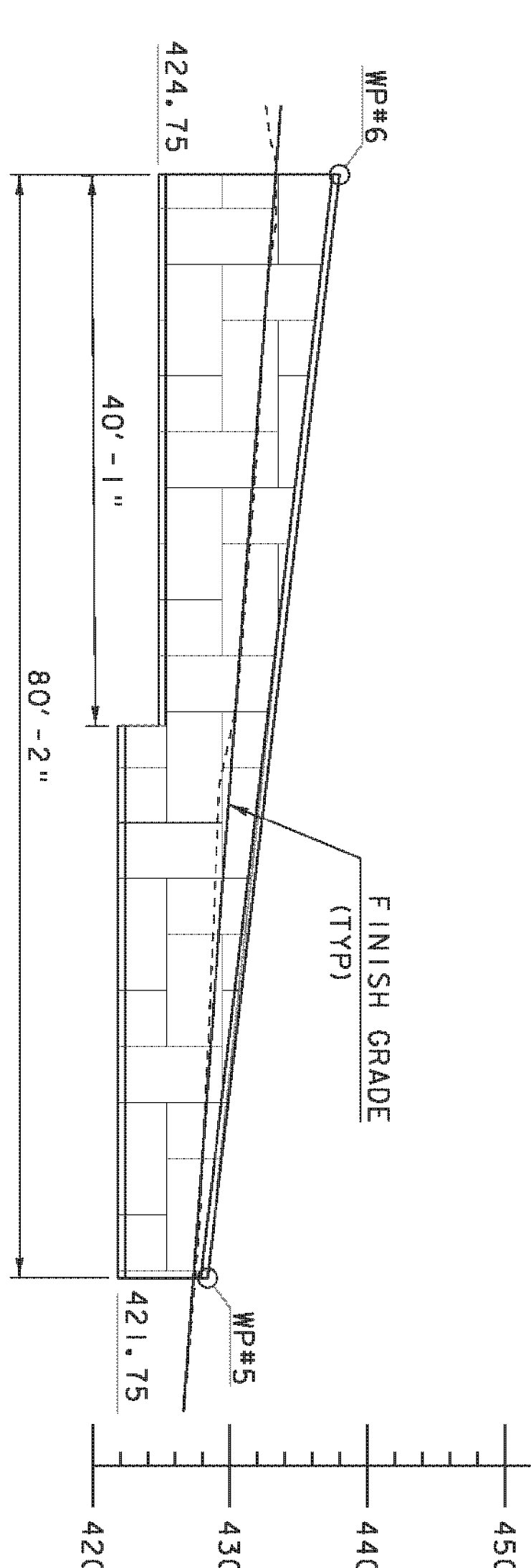
RETAINING WALL @ WW#3



RETAINING WALL @ WW#4



RETAINING WALL @ WW#2



RETAINING WALL @ WW#4

**WORKING POINTS**

WP#	STA.	OFFSET	TOP OF WALL ELEV.
#1	29+95.00	14.5	435.00
#2	30+36.50	14.0	438.50
#3	30+36.50	-12.5	437.87
#4	29+95.00	-11.9	434.50
#5	32+00.00	14.0	428.50
#6	31+19.83	14.0	438.50
#7	31+19.83	-12.5	438.00
#8	32+00.00	-12.5	428.50

SEE 'RETAINING WALL DESIGN' SHEETS 1-3 APPROVED 7/30/12

SCALE 1" = 10'-0"  
10 0 10

**NOTES:**

- WP INDICATES WORKING POINTS ALONG FRONT FACE OF WALL. ABUTMENT WORKING POINTS ARE NOT SHOWN ON THIS SHEET.
- THE ELEVATIONS SHOWN AT THE BOTTOM OF THE WALL ARE MAXIMUM ELEVATIONS TO ACCOUNT FOR FROST DEPTH AND STABILITY.

SEE ADDITIONAL NOTES ON GENERAL NOTES SHEET #3, OR SEE SHEET 60 FOR RETAINING WALL TYPICAL

PROJECT NAME: HARTFORD (WILDER)  
PROJECT NUMBER: STP 1444(35)

FILE NAME: B38\5961070wall\_b38.dgn  
PROJECT LEADER: K. HIGGINS  
DESIGNED BY: J. SALVATORI

PLOT DATE: 16-JUN-2010  
DRAWN BY: J. SALVATORI  
CHECKED BY: T. FILLBACH  
SHEET 59 OF 69