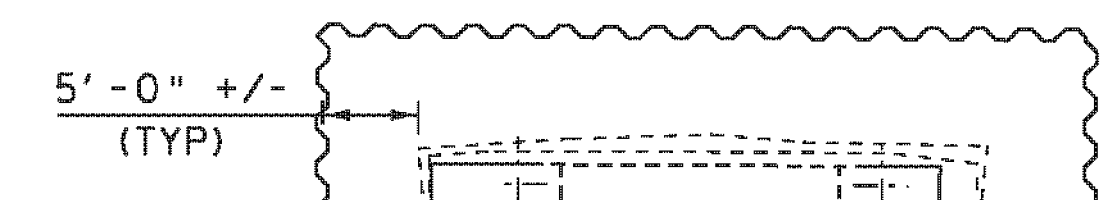
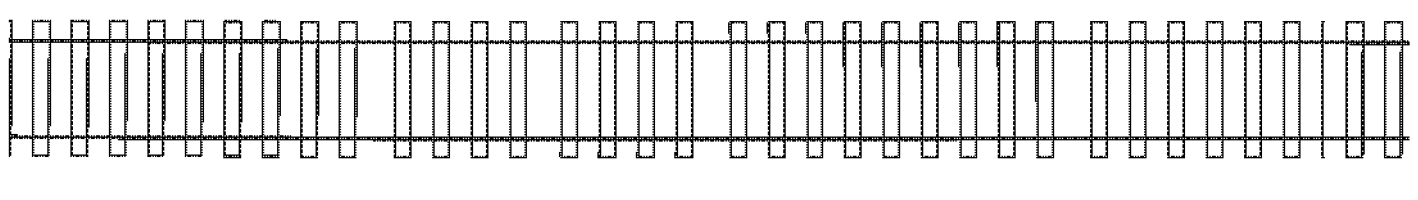
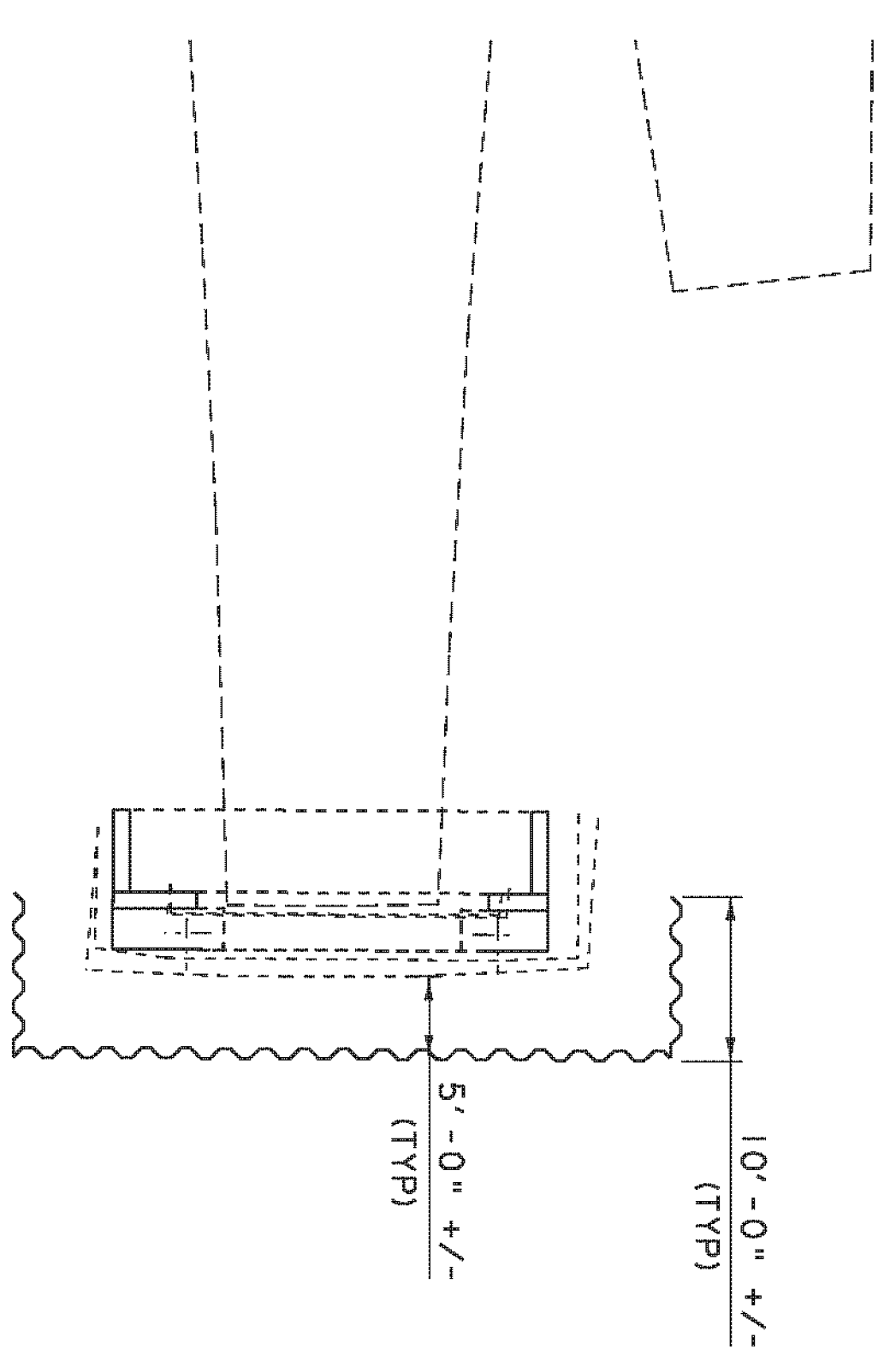
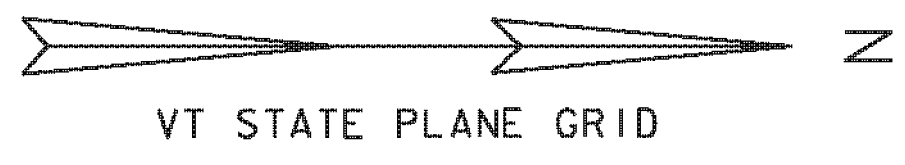
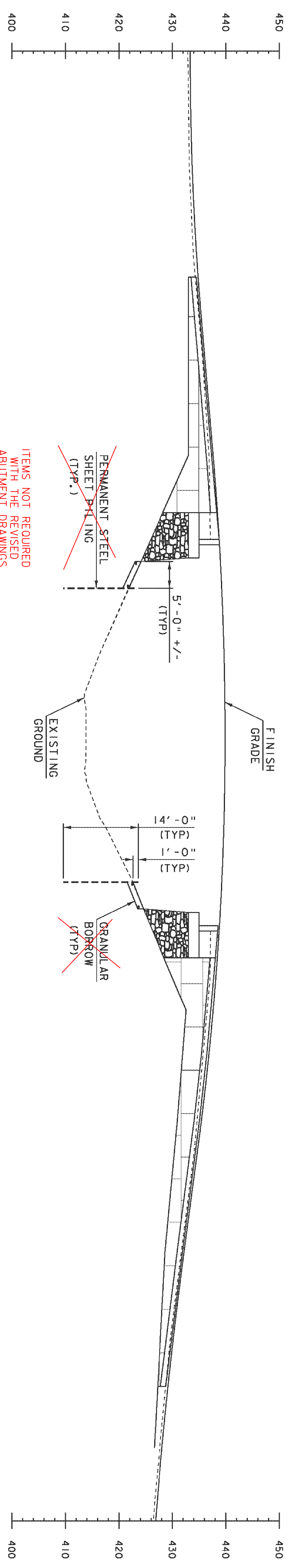


SEE REBUILT STONE MASONRY & SHEET PILE NOTES
ON GENERAL NOTES SHEET #3.



PLAN



ELEVATION @ SOUTH FASCIA

SCALE 1" = 10'-0"
0 10

PROJECT NAME: HARTFORD (WILDER)	PLOT DATE: 16-JUN-2010
PROJECT NUMBER: STP 1444(35)	DRAWN BY: T. FILLBACH
FILE NAME: B38/s961070sheet+pile.dgn	CHECKED BY: T. FILLBACH
PROJECT LEADER: K. HIGGINS	SHEET 58 OF 69
DESIGNED BY: N. MELTZER	
MASONRY & SHEET PILE DETAILS - BR 38	