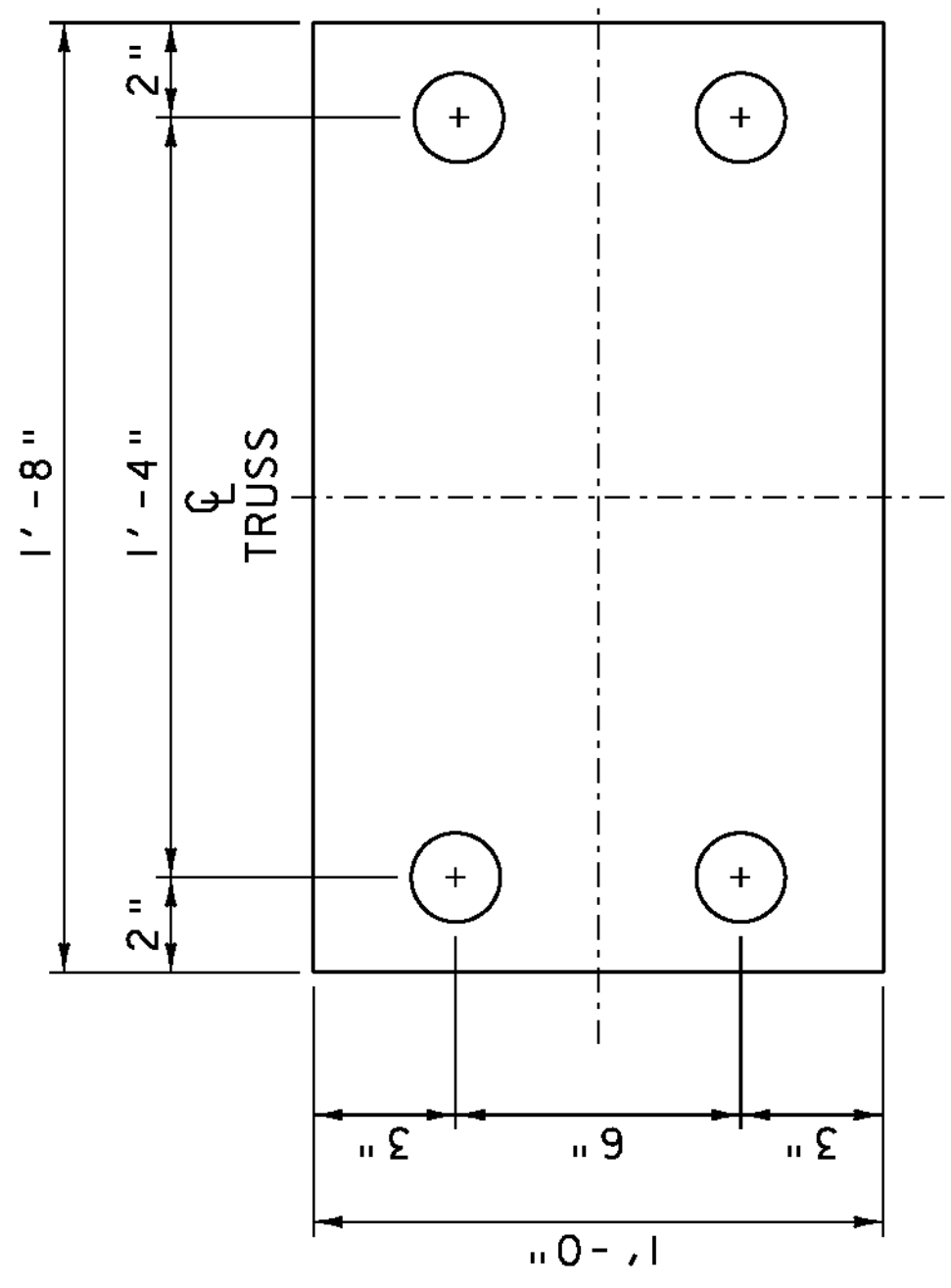
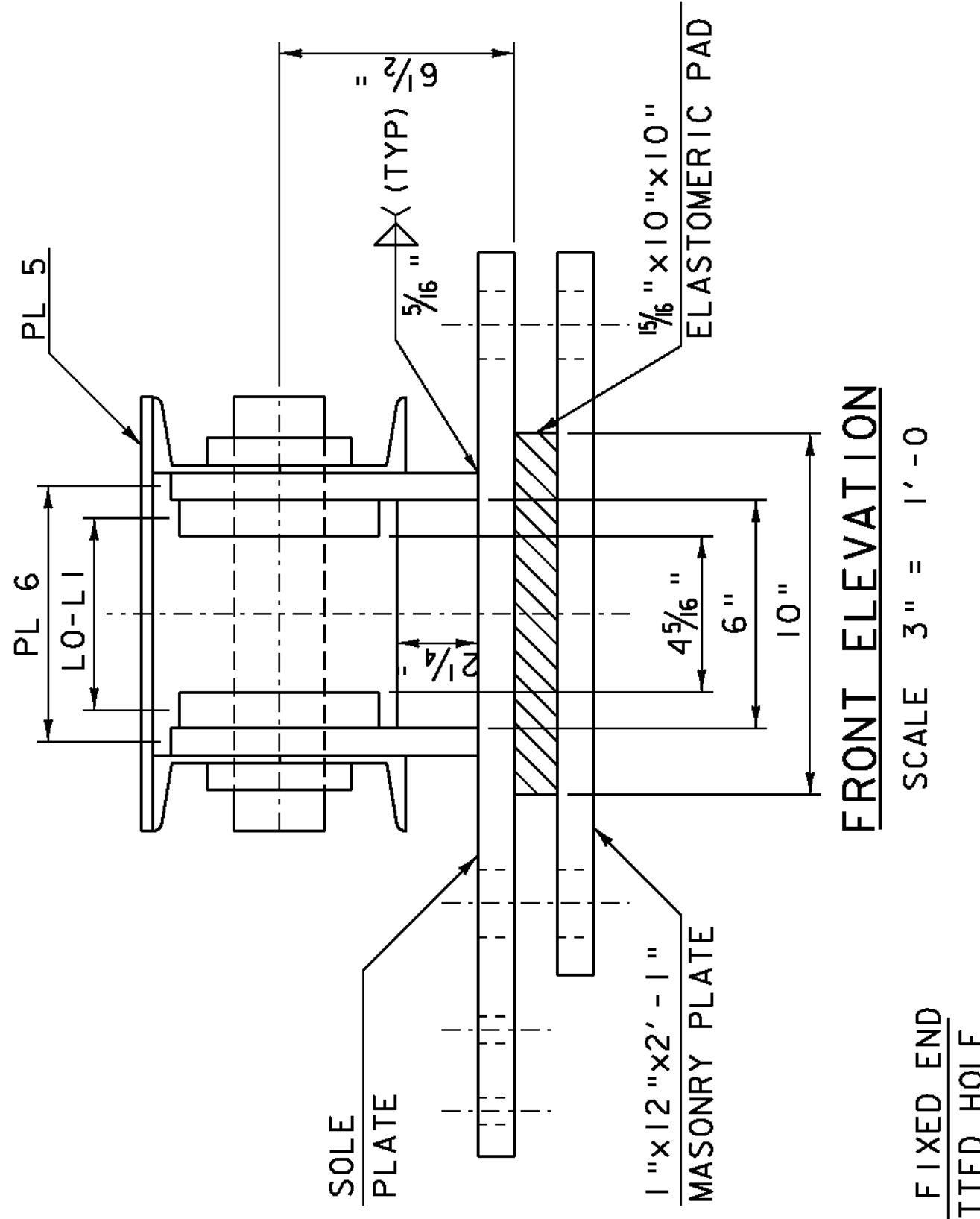


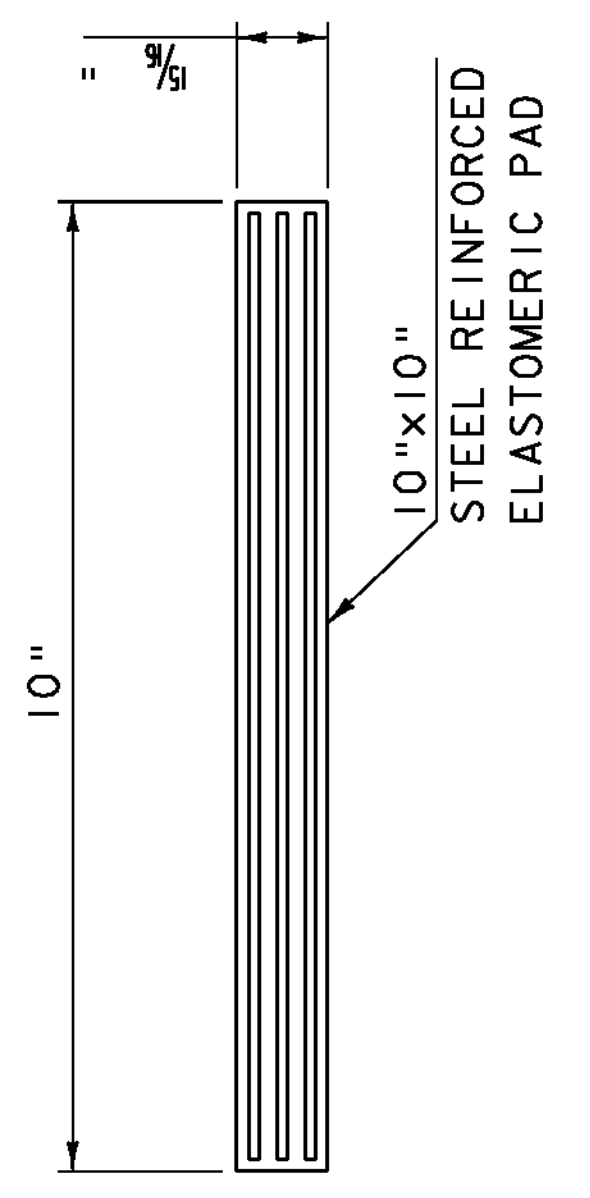
PLAN VIEW (MASONRY PLATE)
SCALE 3" = 1'-0"



PLAN VIEW (STEEL REINFORCED ELASTOMER PAD)
SCALE 3" = 1'-0"



FRONT ELEVATION
SCALE 3" = 1'-0"



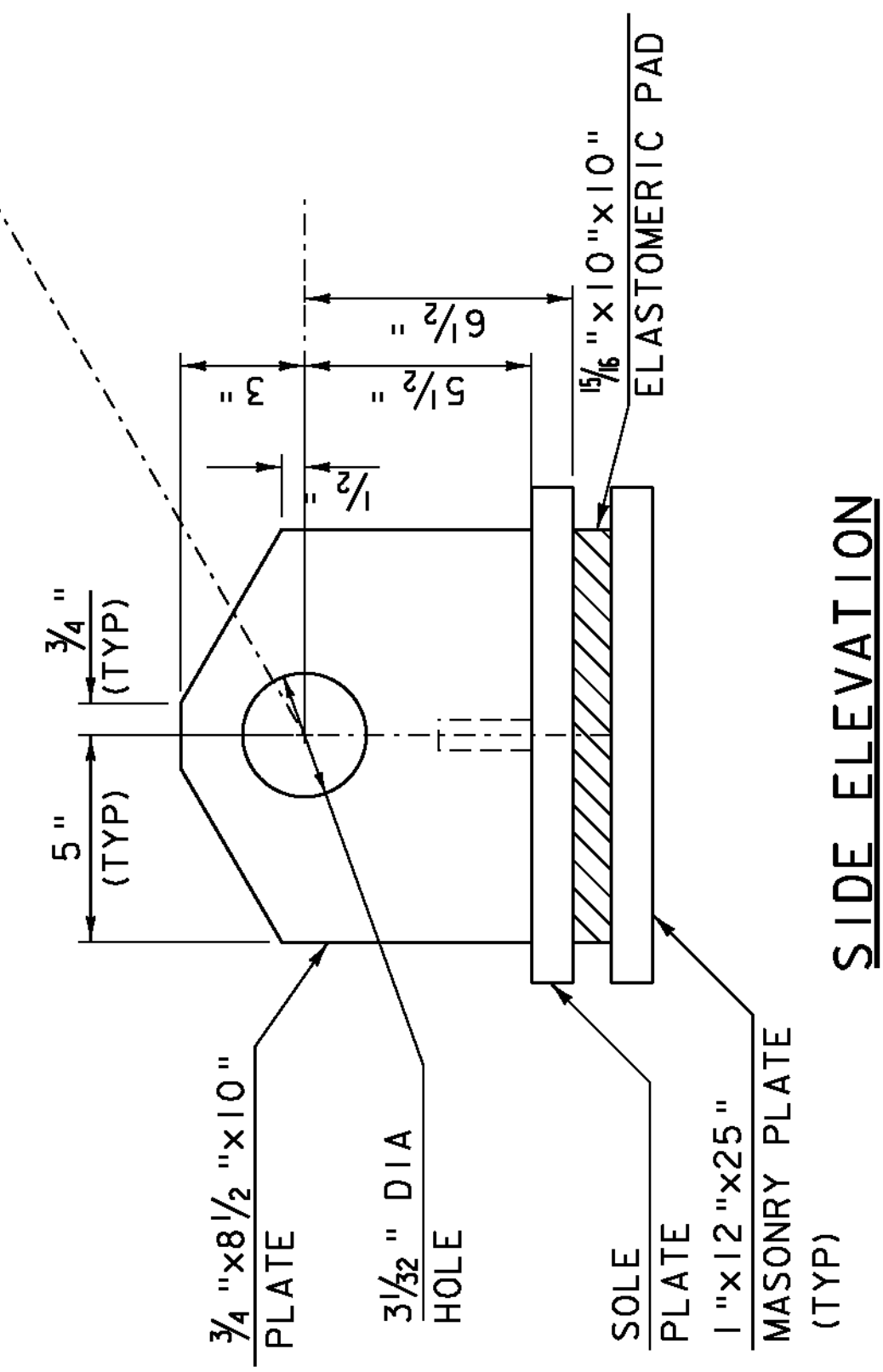
SIDE ELEVATION
SCALE 3" = 1'-0"

STEEL REINFORCED ELASTOMER PAD

- SCALE 1 1/2" = 1'-0"
- 2 EXTERIOR ELASTOMERS = 1/8"
- 2 INTERIOR ELASTOMERS = 1/4"
- 3 REINFORCING PLATES = 1/16" (16GA)

PLAN VIEW (MASONRY PLATE)

SCALE 3" = 1'-0"



SIDE ELEVATION
SCALE 3" = 1'-0"

BEARING NOTES

1. BEARINGS SHALL CONFORM TO SPECIFICATIONS SECTIONS 513.
2. THE BEARINGS, INCLUDING WASHERS AND NUTS SHALL BE DEVICE ASSEMBLY, ELASTOMER STEEL PLATES AND BUILT-UP STRUCTURAL STEEL.
3. ALL WASHERS SHALL BE 3/8"
4. ALL PLATES, NUTS, WASHERS GALVANIZED OR METALIZED A STANDARD SPECIFICATIONS. WITH AN APPROVED SEALER. SPECIFICATIONS. AREAS OF OR HANDLING SHALL BE REPAIRED 513.
5. ALL STEEL IN THE BEARING SHALL BE 50, UNLESS NOTED OTHERWISE.
6. ANCHOR BOLTS SHALL BE AS INTO THE CONCRETE AND SHALL BE REINFORCED BETWEEN M20M/M270 GRADE 36. ALL FREE OF COATINGS, RUST AN EDGES AND BURRS.
7. ALL REINFORCEMENT BETWEEN M20M/M270 GRADE 36. ALL FREE OF COATINGS, RUST AN EDGES AND BURRS.
8. STEEL REINFORCED ELASTOMER INTEGRAL WITH ELASTOMER WASHERS.
9. THE ELASTOMER WAS DESIGNATED AS 1000.
10. THE ELASTOMER SHALL MEET GRADE 4.
11. THE CONCRETE UNDER THE BEARING SHALL BE REINFORCED WITH M20M/M270 GRADE 36.
12. ALL DESIGNS DONE FOR THE SPECIFICATIONS 4TH EDITION SHALL BE APPROVED BY THE ENGINEER.
13. ALTERNATE CONFIGURATIONS ALTERNATE SUBMITTED SHALL BE APPROVED BY THE ENGINEER AND CRITERIA SHOWN ON THE DRAWINGS SHALL BE PERMANENT.
14. BRIDGE SEAT ELEVATIONS SHALL BE PERMANENT.
15. ALL BEARINGS SHALL BE MARKED WITH BEARING LOCATION ON THE DRAWINGS. ALL MARKS SHALL BE PERMANENT.

Design Load (kip)	Service Limit State	Strength Limit State	Service Limit State	Translation (in)	Rotation (rad)	Max	
						Min	Permanent
Vertical			Transverse	9.0	0.005	45.0	40.0
			Longitudinal	9.0	0.005	45.0	40.0
			Vertical	98.0	0.005	45.0	40.0
Irreversible	Irreversible	Irreversible	Transverse	4.0	0.000	19.5	19.5
			Longitudinal	4.0	0.000	19.5	19.5
			Vertical	4.0	0.000	19.5	19.5
Reversible	Reversible	Reversible	Transverse	1/16	0.005	1/16	1/16
			Longitudinal	1/16	0.005	1/16	1/16
			Vertical	1/16	0.005	1/16	1/16
Irreversible	Irreversible	Irreversible	Transverse	0.000	0.000	0.000	0.000
			Longitudinal	0.000	0.000	0.000	0.000
			Vertical	0.000	0.000	0.000	0.000
Reversible	Reversible	Reversible	Transverse	0.005	0.005	0.005	0.005
			Longitudinal	0.005	0.005	0.005	0.005
			Vertical	0.005	0.005	0.005	0.005

SCALE 1 1/2" = 1'-0"

SCALE 3" = 1'-0"