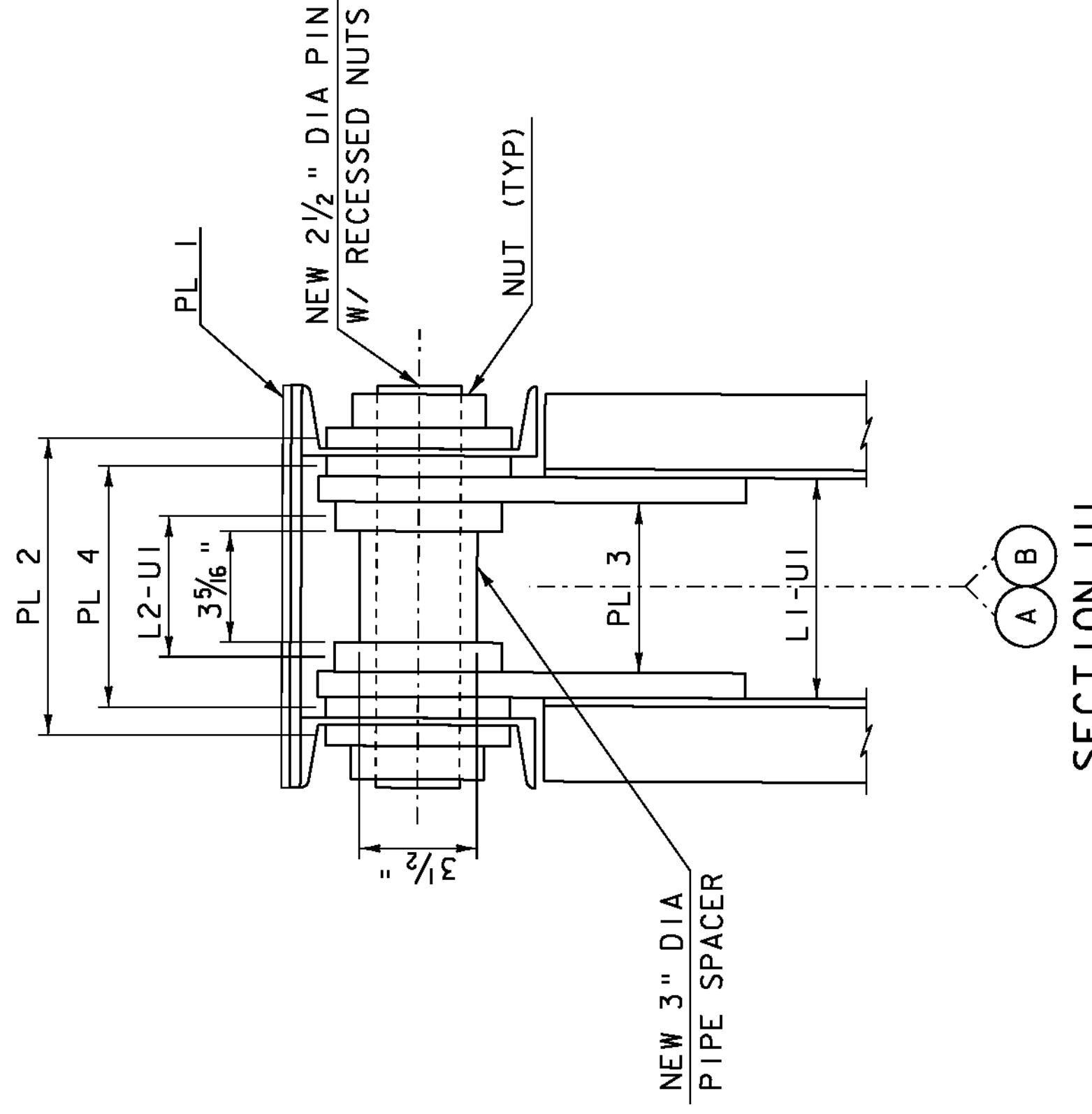


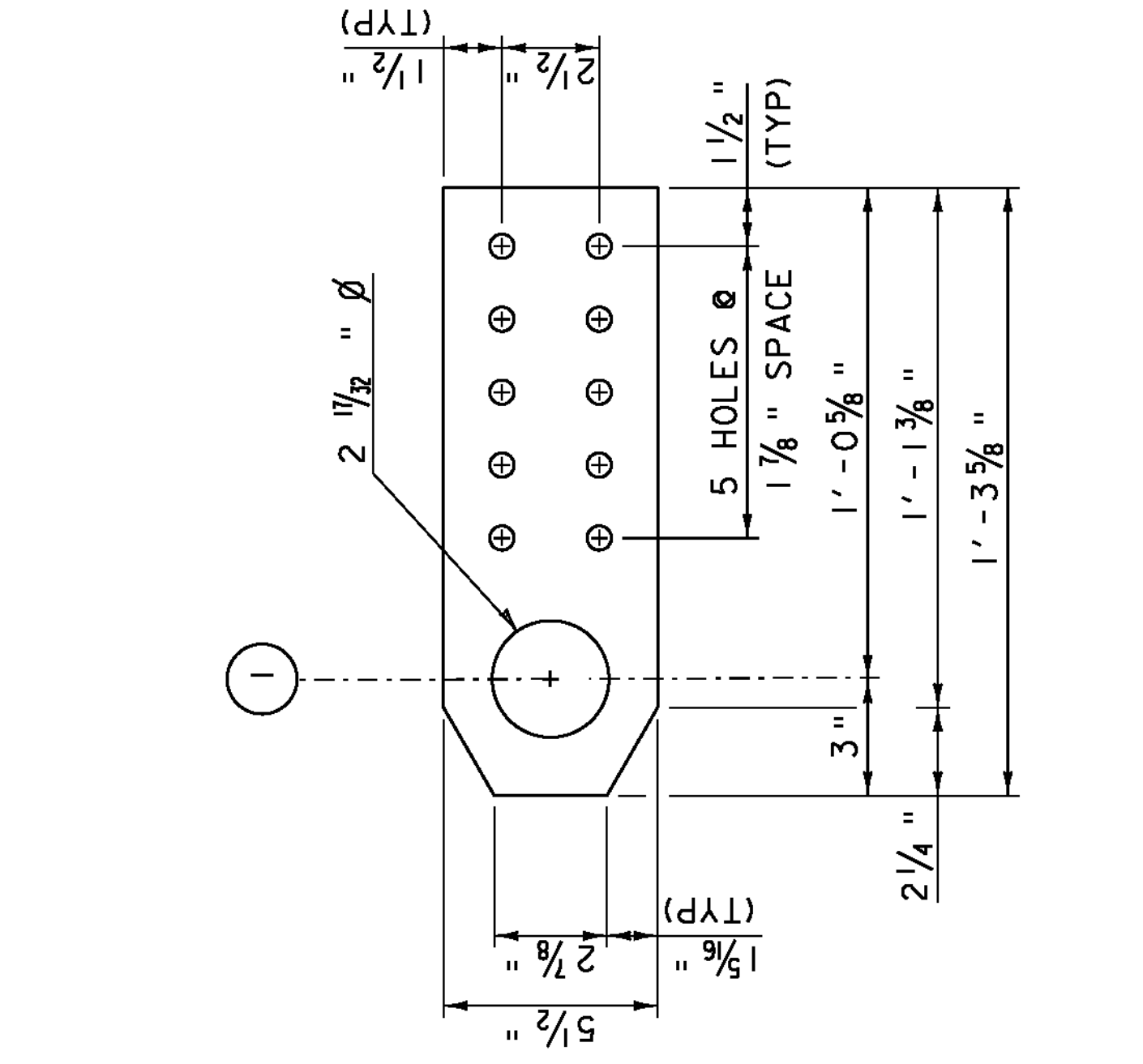
ELEVATION UI



SECTION UI

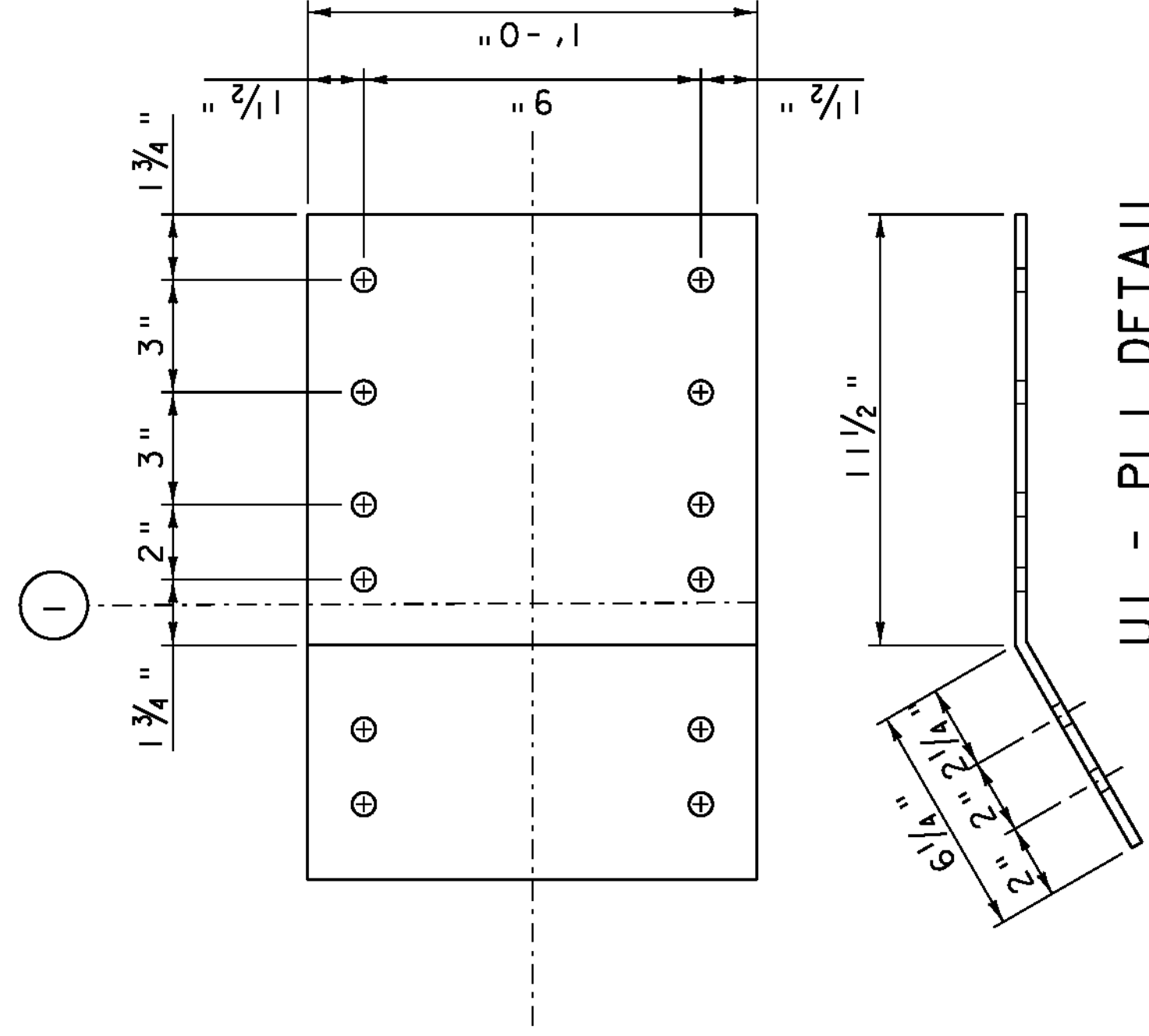
(NODE UI, SIMILAR)

EXISTING RIVETS ARE ASSUMED TO BE 5/8" DIAMETER IN 1/8" DIAMETER HOLES.



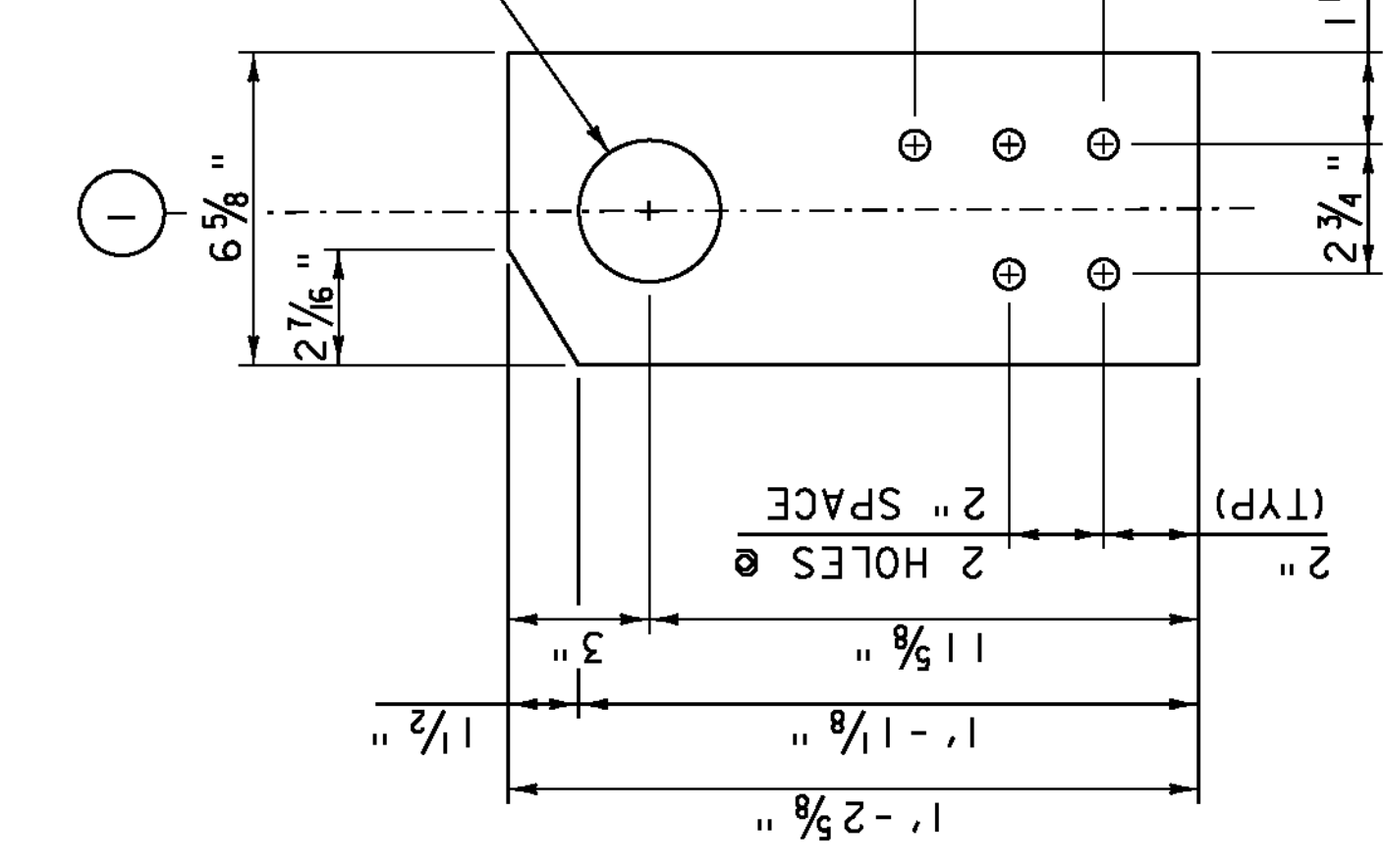
UI - PL2 DETAIL

5/8" MINIMUM PLATE THICKNESS



UI - PL1 DETAIL

NEW 5/16 x 12 x 1' - 5 3/4"



UI - PL3 DETAIL

3/4" MINIMUM PLATE THICKNESS

