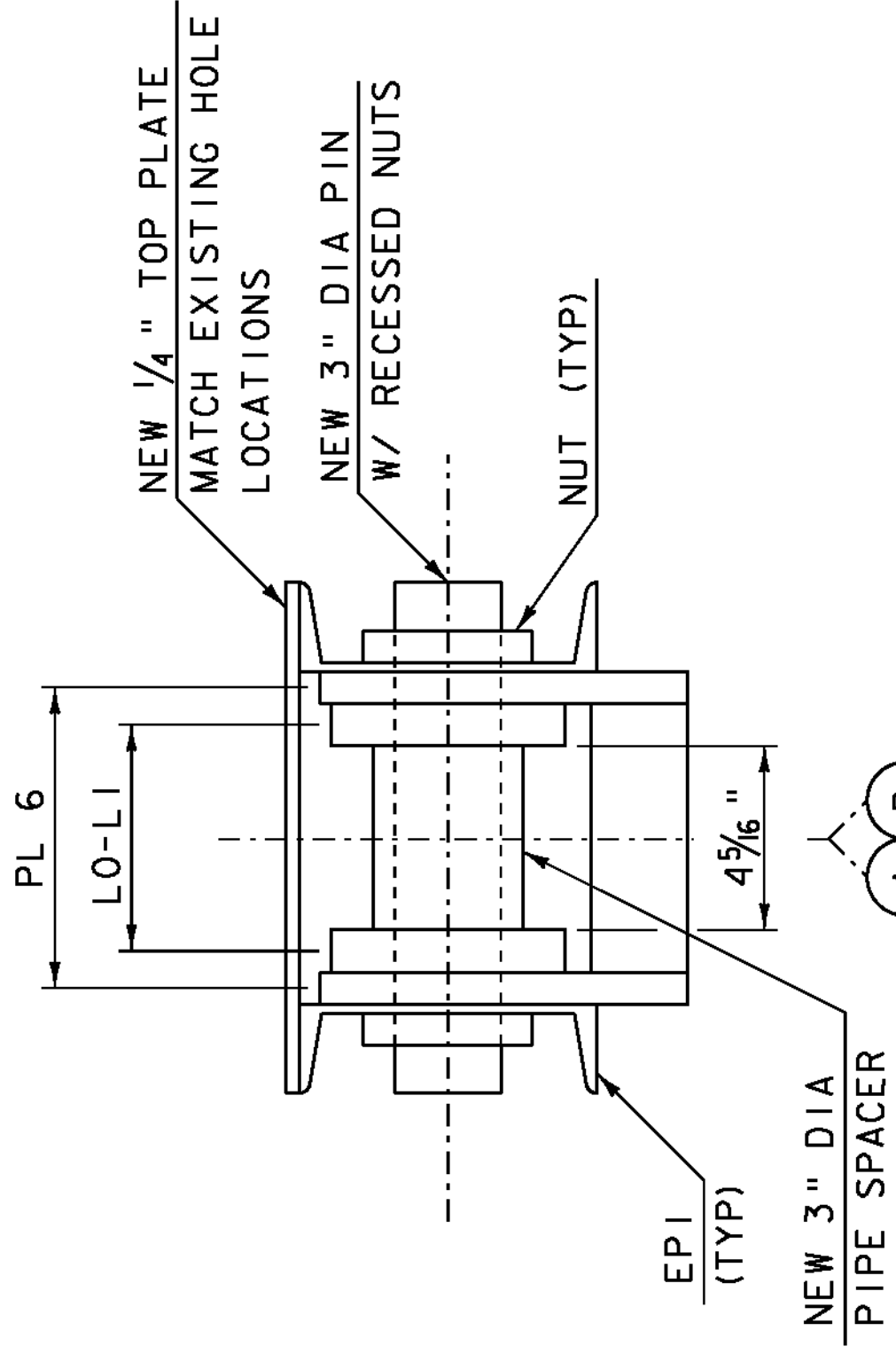


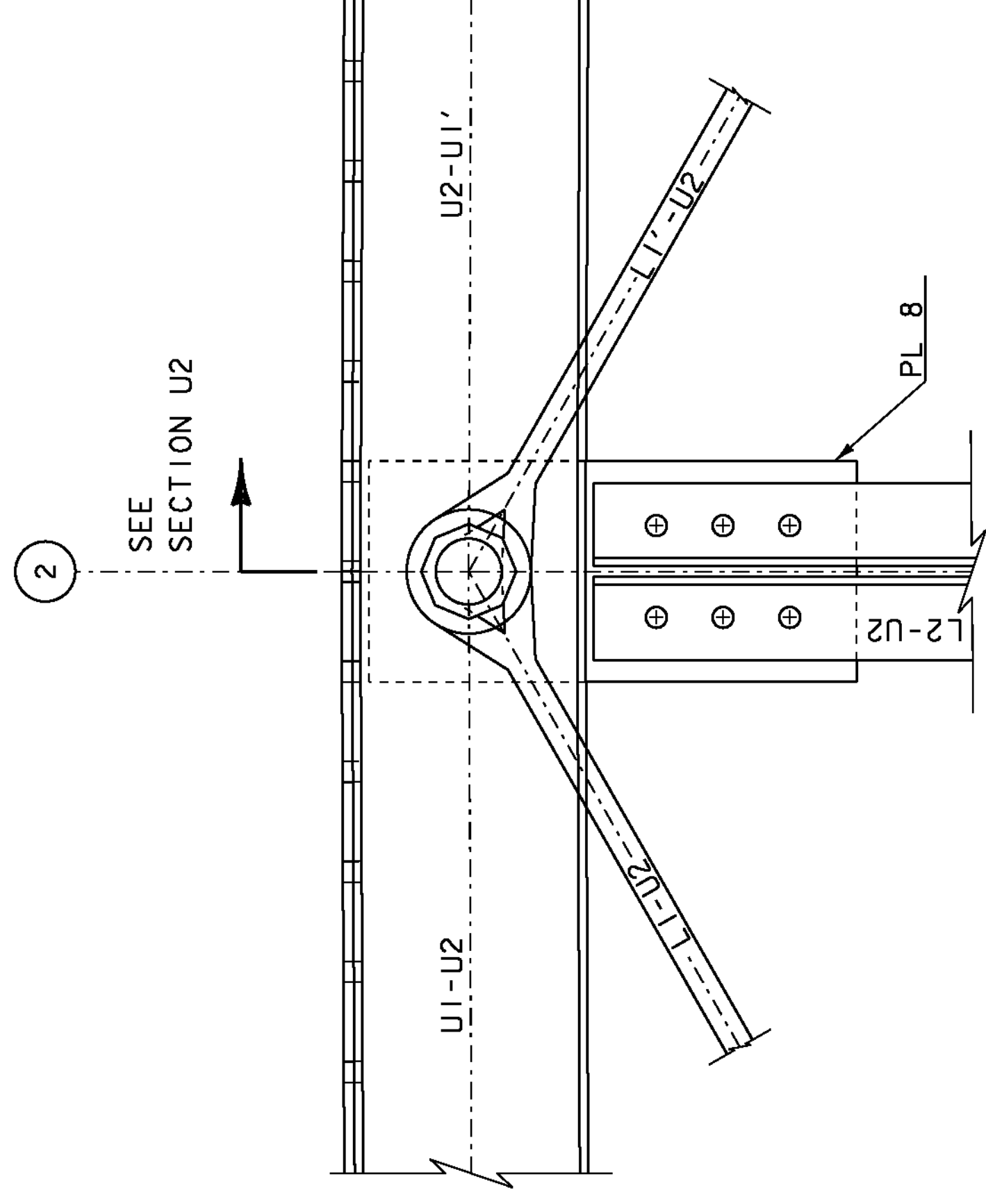
ELEVATION LO



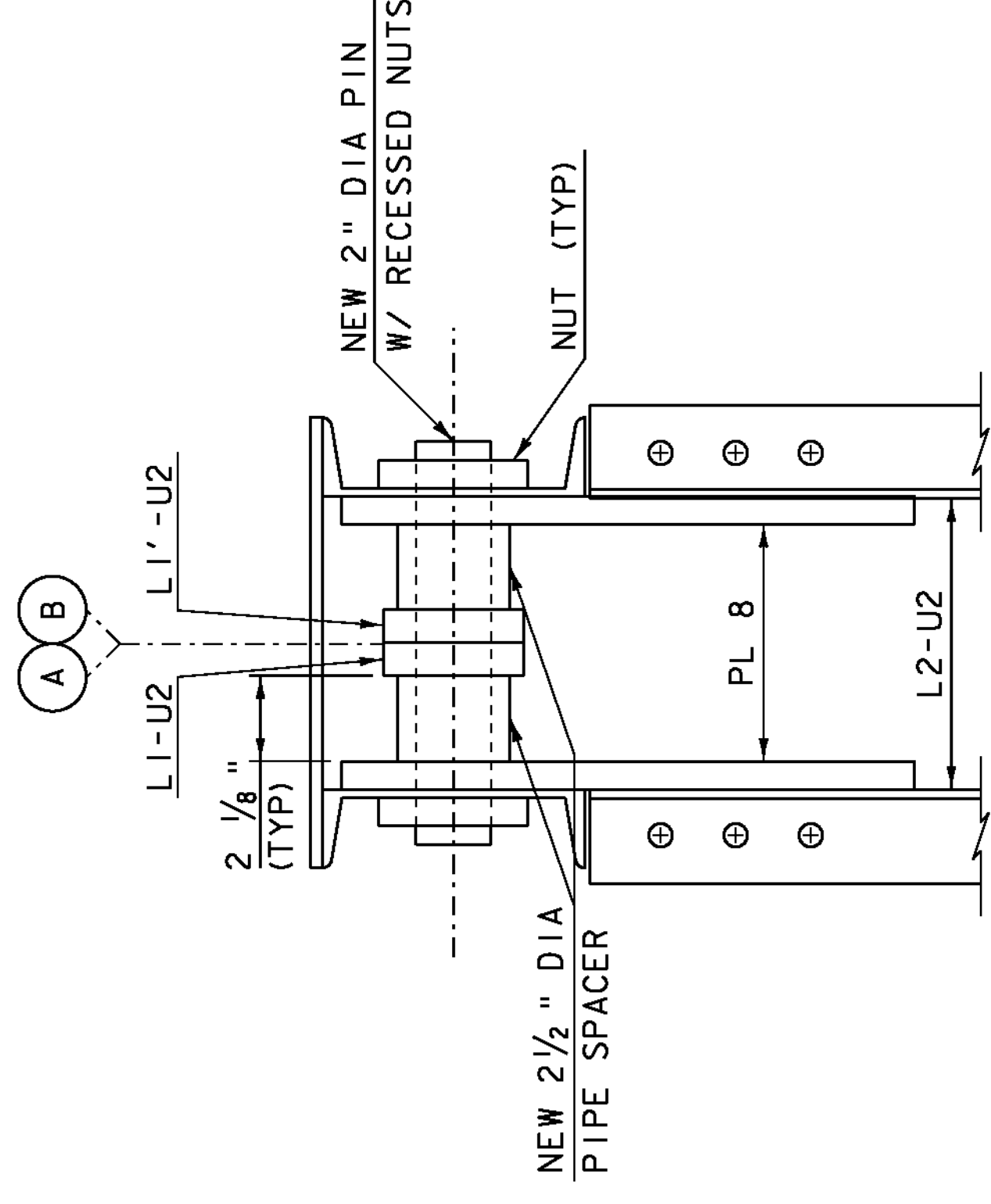
SECTION LO

SEE BEARING DETAILS SHEET FOR
ADDITIONAL DETAILS FOR THIS LOCATION,
SEE TRUSS JOINT DETAILS #4 SHEET FOR
CLIP DIMENSIONS

(NODE LO' SIMILAR)



ELEVATION U2



SECTION U2

EXISTING RIVETS ARE ASSUMED TO BE 5/8" DIAMETER IN 1/8" DIAMETER HOLES.

