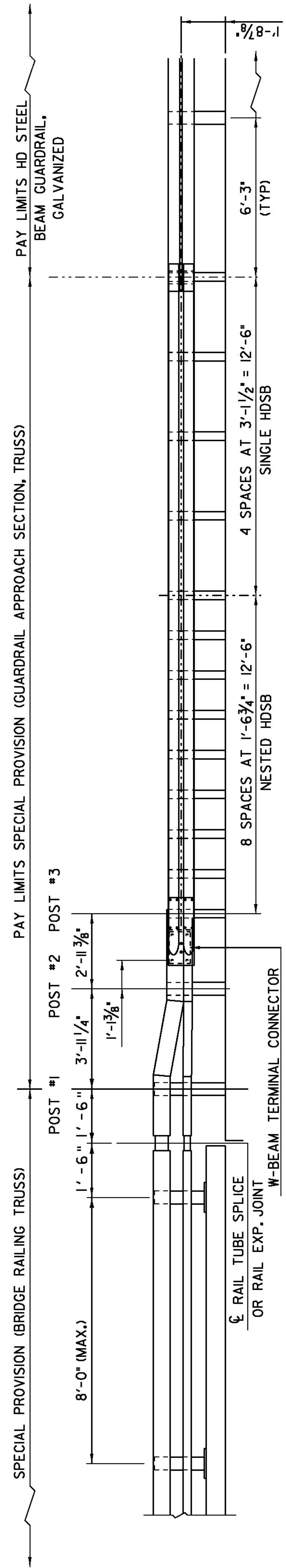
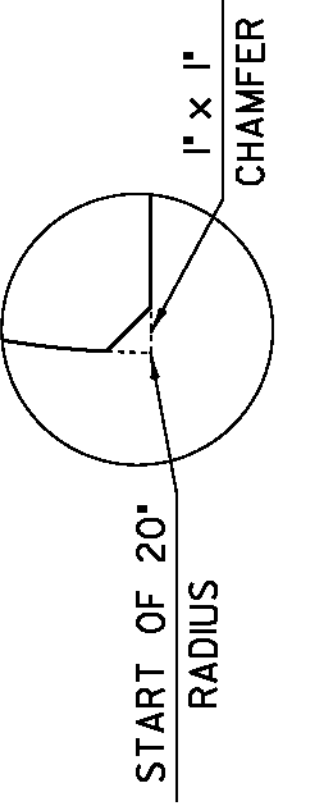
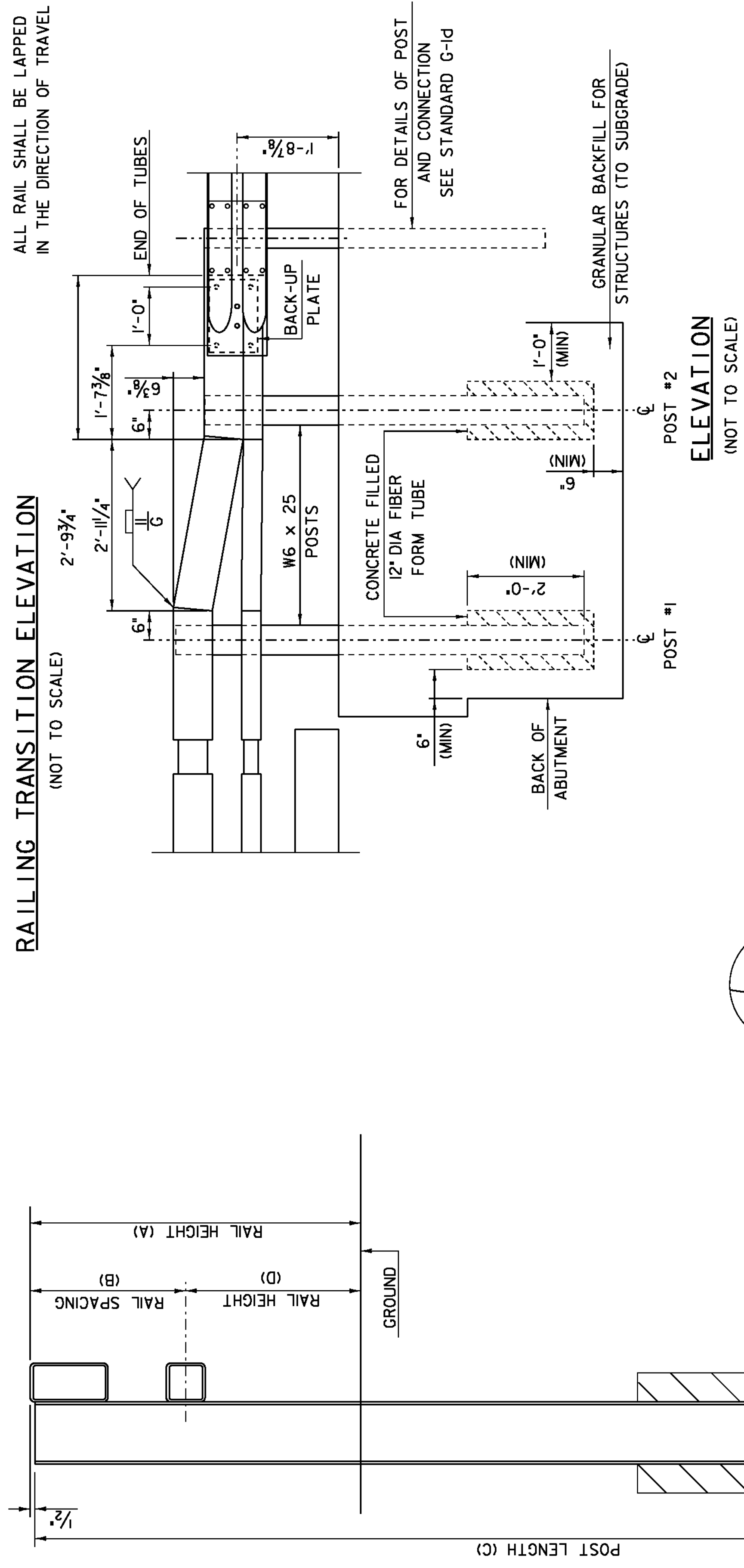


**Notes:**

1. REFER TO SPECIFICA
2. TO FACIL BE SET LO ASSEMBLED APPROVED PLATE AND TUBES AND TO SPECIA
3. RETRO REF AND SHAL INSTALLED
4. ALL APPRO FLOW.
5. SEE STAND



**RAILING TRANSITION ELEVATION**  
(NOT TO SCALE)



**TYPICAL SECTION**  
(NOT TO SCALE)

POST NUMBER	RAIL HEIGHT (A)	RAIL SPACING (B)	POST LENGTH (C)	RAIL HEIGHT (D)
1	2'-10"	1'-4"	7'-0"	1'-6"
2	2'-3 5/8"	10"	6'-5"	1'-5 5/8"

**ELEVATION**  
(NOT TO SCALE)

