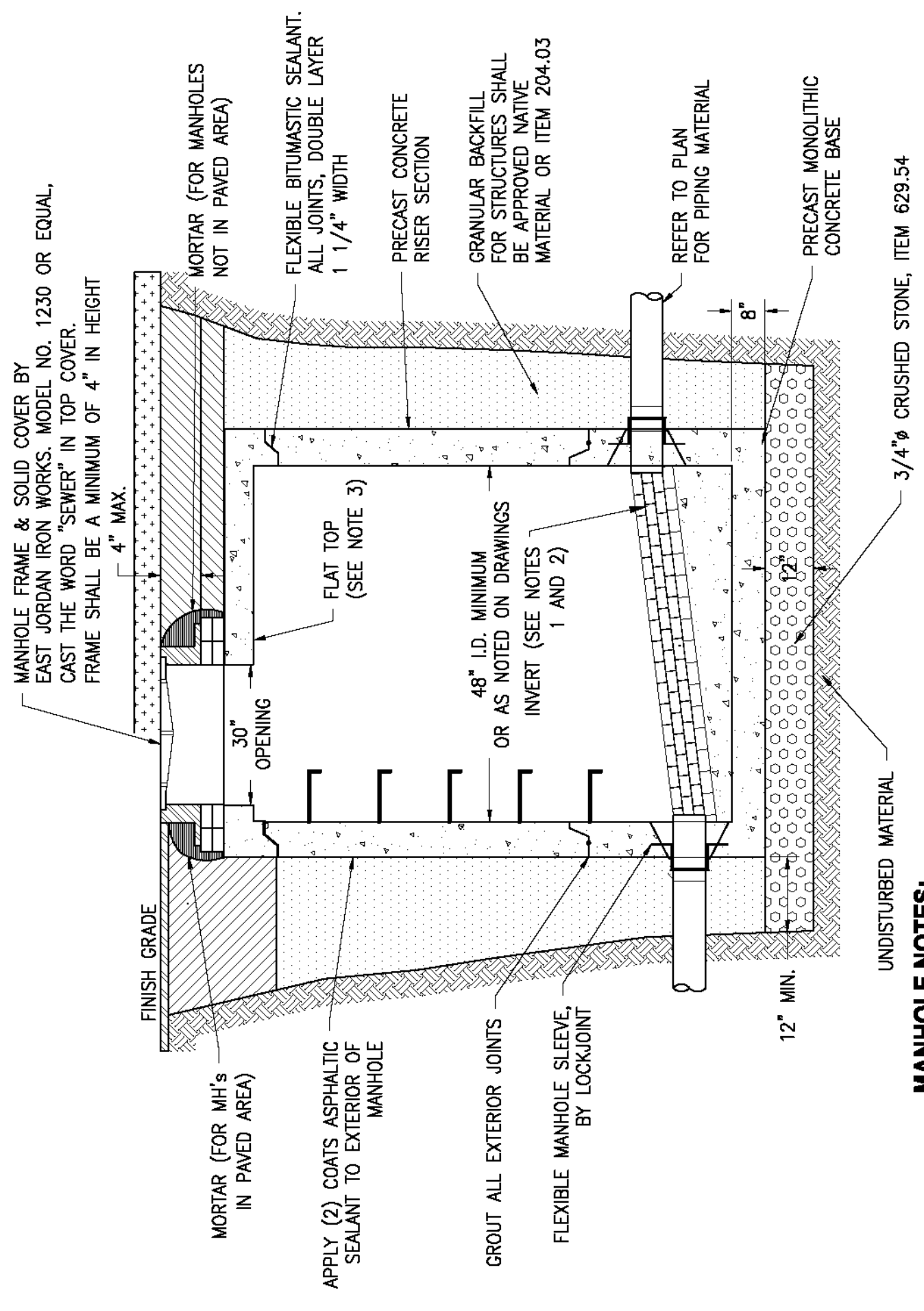


PIPE SUPPORT SECTION
SCALE: 1-1/2"=1'-0"

NOTE:
1. PIPE SUPPORTS SHALL BE MOUNTED SUCH THAT THE BOTTOM OF THE PIPE BRACKET IS ABOVE THE RAILROAD ENVELOPE PER THE VTRANS PLAN.

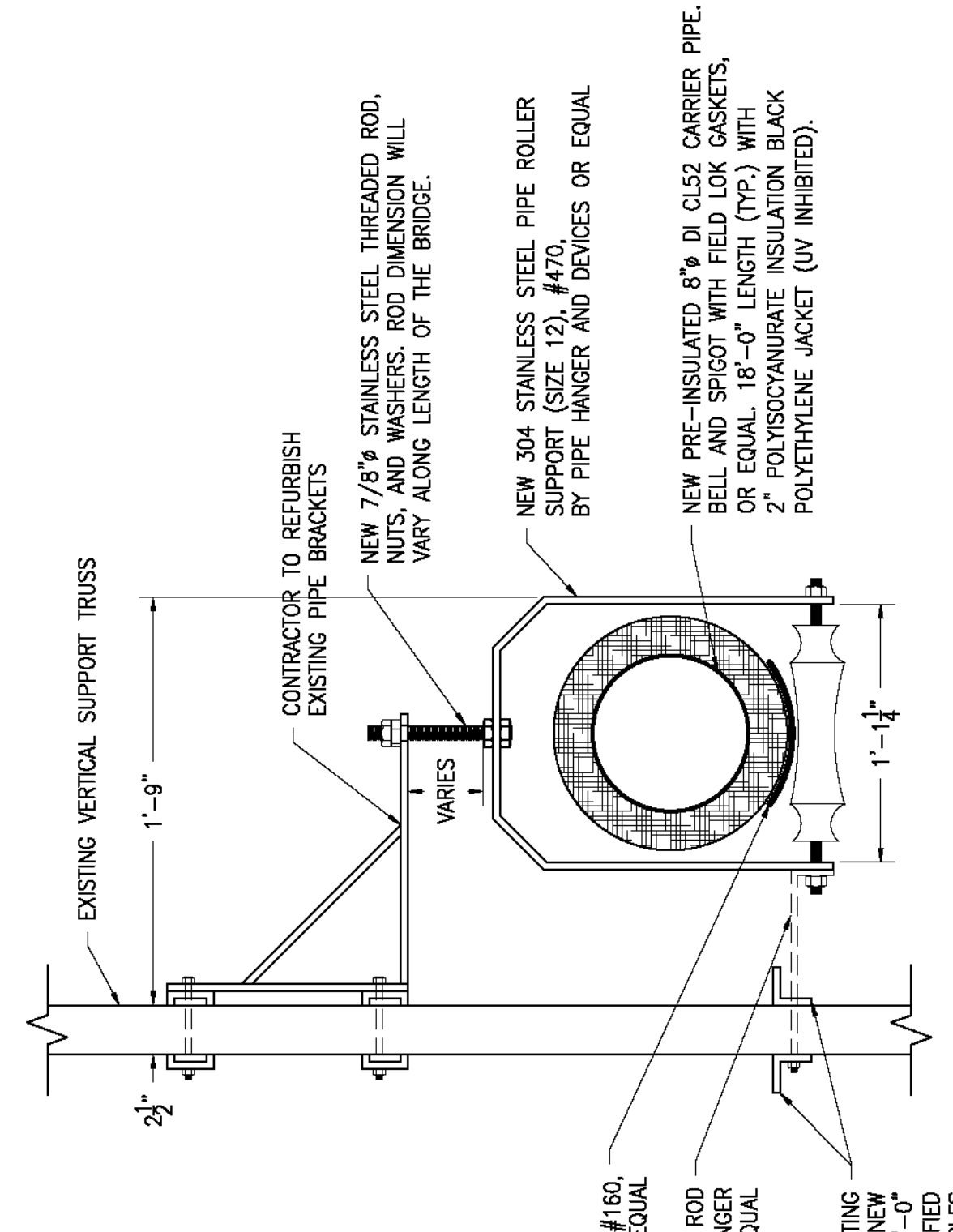
DOUBLE PIPE SUPPORT DETAIL
SCALE: NONE



MANHOLE NOTES:

1. INVERTS OF MANHOLE SHALL BE LINED WITH HARD SEWER BRICK OR PRECAST CONCRETE.
2. PROVIDE SMOOTH SWEEPING TRANSITIONS BETWEEN INVERTS OF INTERSECTING PIPE.
3. IF DEPTH OF MANHOLE IS 7 FEET OR LESS FROM RIM TO INVERT THEN A FLAT TOP SHALL BE INSTALLED. IF DEPTH OF MANHOLE FROM RIM TO INVERT IS MORE THAN 7 FEET THEN A CONICAL TOP SHALL BE INSTALLED.

TYPICAL SANITARY SEWER FLAT TOP MANHOLE DETAIL
SCALE: NONE



EAST SIDE SANITARY SEWER FLAT TOP MANHOLE DETAIL
SCALE: NONE

TYPICAL GR...
SCALE: NONE

- NOTES:**
1. FULL L...
 2. FOR IN...

BRIDGE ABUTMENT

BRIDGE SCALE: NONE

BRIDGE CENTERLINE BRIDGE AS

IN ROADWAY AF PAVEMENT A TO 95% MOD EX

UNDIST

IF UN REMOVED CRUSHE