

**OFFSET BLOCK CHART FOR NW APPROACH  
POSTS P6 - P8**

POST No.	OFFSET BLOCK	QTY	OFFSET BLOCK ~ POST MTG. DIMENSIONS							BEV
			A	B	C	D	E	F (O.C.)	X	
P6	OB6	1	1'-4 15/16"	11 15/16"	2 3/16"	3/8"	1 13/16"	1'-4 3/4"	5/8	
P7	OB7	1	1'-4 1/16"	11 1/16"	2 3/16"	3/8"	1 13/16"	1'-3 7/8"	5/8	
P8	OB8	1	1'-3 3/16"	10 3/16"	2 3/16"	3/8"	1 13/16"	1'-3"	5/8	

**OFFSET BLOCK CHART FOR BRIDGE SW APPROACH  
POSTS P13 - P15**

POST No.	OFFSET BLOCK	QTY	OFFSET BLOCK ~ POST MTG. DIMENSIONS							BEV
			A	B	C	D	E	F (O.C.)	X	
P13	OB13	1	1'-5 5/16"	1'-0 1/4"	2 1/8"	1/4"	1 7/8"	1'-5 3/16"	3/8	
P14	OB14	1	1'-4 9/16"	11 1/2"	2 1/8"	1/4"	1 7/8"	1'-4 7/16"	3/8	
P15	OB15	1	1'-3 13/16"	10 3/4"	2 1/8"	1/4"	1 7/8"	1'-3 11/16"	3/8	

**OFFSET BLOCK ~ RAIL MTG. DIMENSIONS**

POST No.	OFFSET BLOCK	G	H	J	K
P6	OB6	1 7/16"	11 1/4"	1 5/16"	11 1/16"
P7	OB7	1 7/16"	10 3/8"	1 5/16"	10 1/8"
P8	OB8	1 7/16"	9 7/16"	1 5/16"	9 1/4"

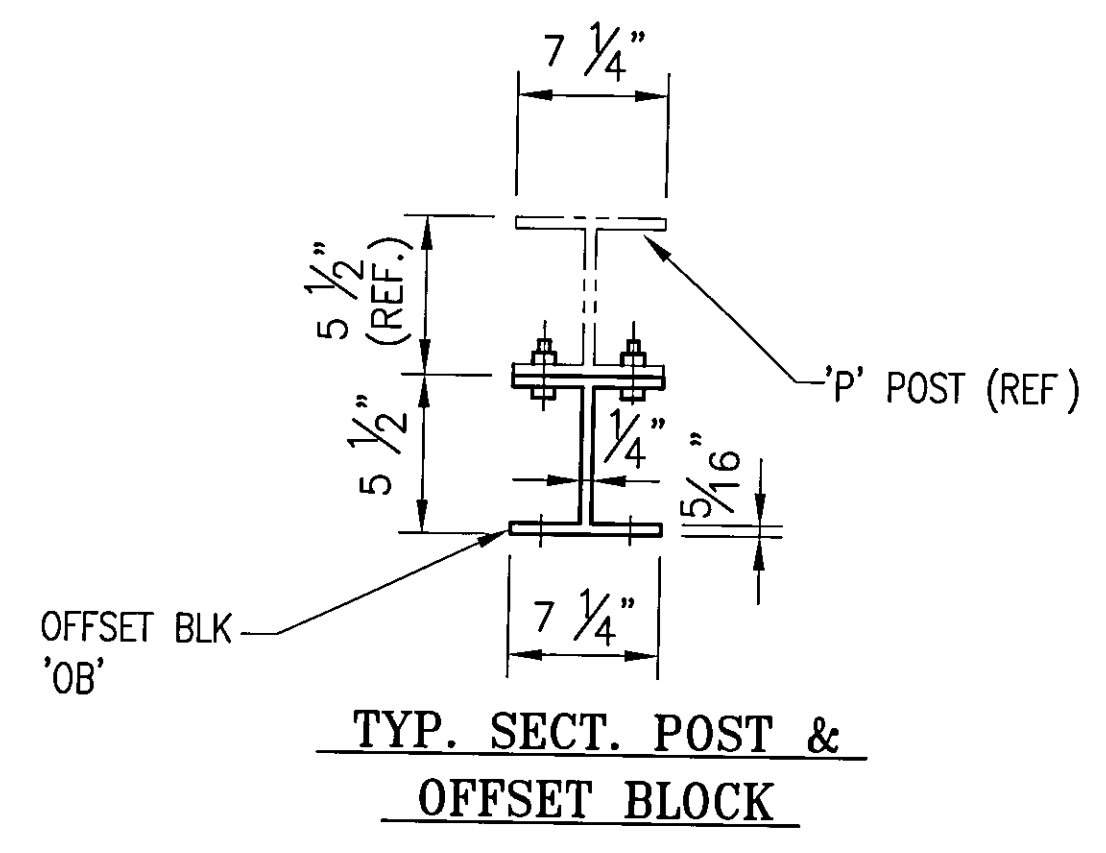
**OFFSET BLOCK ~ RAIL MTG. DIMENSIONS**

POST No.	OFFSET BLOCK	G	H	J	K
P13	OB13	1 3/16"	11 3/8"	1 1/8"	11 1/4"
P14	OB14	1 3/16"	10 5/8"	1 1/8"	10 1/2"
P15	OB15	1 3/16"	9 7/8"	1 1/8"	9 3/4"

Accepted as Noted
Accepted Noted Resubmit
Rejected, Revise Resubmit
Rejected - Unacceptable

Checking is only for conformance with the design concept of the Project and compliance with the information given in the Contract Documents. The Engineer assumes no liability for errors or omissions that may be contained herein. The Contractor, by approving and submitting these documents, verifies their accuracy as stipulated on the Contractor's Shop Drawing Stamp.

Date: 9/25/09 By: EPD



**NOTE:**  
 4 CLAMPING BARS CB-03-A (#19447) PER POSTS P6 - P8, P13 - P15 w/ 1/2"Ø-13 UNC S.S. BOLT x 1" LG. 'FB1', 1 1/16" O.D. x 17/32" I.D. x 3/32" THK. ALUM WASHER 'FW1' (#15280 & #19404) (8 PER POST)

**ANODIZED**  
 (SEE NOTES ON LBS)

BRIDGE No. 7  
 PROJECT No. BHF 6000 (15) S  
 ITEM No: 900.640

APPROVED: \_\_\_\_\_ REC'D APPROVAL \_\_\_\_\_  
 DRAWING \_\_\_\_\_

**L.B. FOSTER COMPANY**  
 1016 GREENTREE ROAD  
 PITTSBURGH, PENNSYLVANIA 15220

FOR: F. R. LAFAYETTE, INCORPORATED  
 VERMONT AGENCY OF TRANSPORTATION  
 CITY OF BARRE, COUNTY OF WASHINGTON  
 BRIDGE RAILING FOR PROSPECT ST. OVER STEVENS BRANCH  
 OFFSET BLOCK DETAILS

1	REVISED ALL POST HIGHTS. PER APPROVERS COMMENTS	CMS	09 13 09
REV	DESCRIPTION	BY	DATE