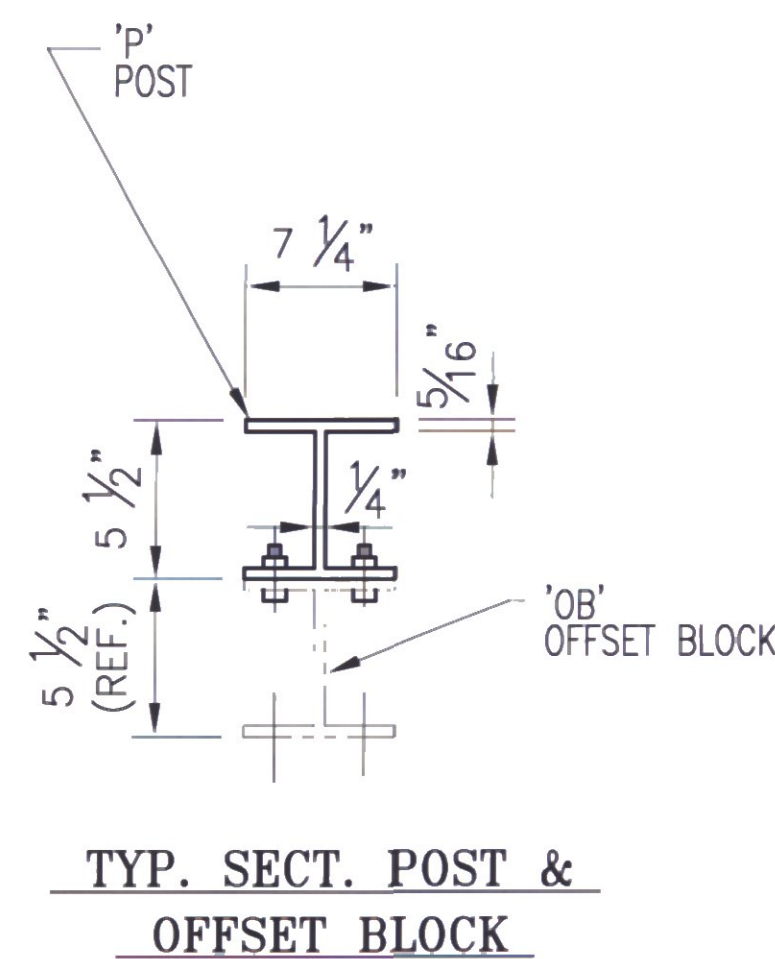


POST DETAIL CHART FOR NW APPROACH

POST No.	QTY.	OFFSET BLOCK MTG. DIMENSIONS						BEV
		A	B	C	D	E	F (O.C.)	X
P2	1	1 7/8"	1'-1 3/8"	2'-2"	5/8"	1 1/4"	4'-1 1/2"	1 1/16
P3	1	1 7/8"	11 7/8"	1'-11 7/8"	5/8"	1 1/4"	3'-10 3/16"	1 1/16
P4	1	1 7/8"	10 3/8"	1'-9 11/16"	5/8"	1 1/4"	3'-7 3/8"	1 1/16
P5	1	1 7/8"	8 15/16"	1'-7 9/16"	5/8"	1 1/4"	3'-4 1/4"	1 1/16
P6	1	2 3/16"	11 15/16"		3/8"	1 13/16"	2'-7 9/16"	5/8
P7	1	2 3/16"	11 1/16"		3/8"	1 13/16"	2'-5 7/16"	5/8
P8	1	2 3/16"	10 3/16"		3/8"	1 13/16"	2'-3 5/16"	5/8

NOTE:  
 2 CLAMPING BARS CB-01-H (#28596) PER POSTS P2-P4, P12  
 4 CLAMPING BARS CB-03-A (#19447) PER POSTS P2-P8  
 w/ 1/2" φ-13 UNC  
 S.S. BOLT x 1" LG. 'FB1',  
 1 1/16" O.D. x 17/32"  
 I.D. x 3/32" THK. ALUM  
 WASHER 'FW1'  
 (#15280 & # 19404)  
 (16 PER POST)

NOTE:  
 4 CLAMPING BARS CB-03-A (#19447) PER POSTS P12-P15  
 w/ 1/2" φ-13 UNC  
 S.S. BOLT x 1" LG. 'FB1',  
 1 1/16" O.D. x 17/32"  
 I.D. x 3/32" THK. ALUM  
 WASHER 'FW1'  
 (#15280 & # 19404)  
 (8 PER POST)



POST DETAIL CHART FOR SW APPROACH

POST No.	QTY.	OFFSET BLOCK MTG. DIMENSIONS						BEV
		A	B	C	D	E	F (O.C.)	X
P12	1	1 13/16"	7 15/16"	1'-6 13/16"	9/16"	1 1/4"	3'-3 5/8"	15/16
P13	1	2 1/8"	1'-0 1/4"		1/4"	1 7/8"	2'-8 1/4"	3/8
P14	1	2 1/8"	11 1/2"		1/4"	1 7/8"	2'-6 7/16"	3/8
P15	1	2 1/8"	10 3/4"		1/4"	1 7/8"	2'-4 5/8"	3/8

DATE 9/25/09 BY EPD  
 DUBOIS AND KING  
 I, the undersigned, hereby certify that I am a duly Licensed Professional Engineer in the State of Vermont and that I am the Engineer responsible for the design and construction of the project described herein. The contractor by accepting and submitting these documents, verifies their accuracy as stipulated on the Contractor's Shop Drawing Stamp.

**ANODIZED**  
 (SEE NOTES ON LB5)

BRIDGE No. 7  
 PROJECT No. BHF 6000 (15) S  
 ITEM No: 900.640

APPROVED: \_\_\_\_\_ REC'D APPROVAL \_\_\_\_\_  
 DRAWING \_\_\_\_\_

**L.B. FOSTER COMPANY**  
 1016 GREENTREE ROAD  
 PITTSBURGH, PENNSYLVANIA 15220

FOR: F. R. LAFAYETTE, INCORPORATED  
 VERMONT AGENCY OF TRANSPORTATION  
 CITY OF BARRE, COUNTY OF WASHINGTON  
 APPROACH RAILING FOR PROSPECT ST. OVER STEVENS BRANCH  
 3L ALUMINUM APPROACH RAIL POST DETAILS

REV.	DESCRIPTION	BY	DATE
1	REVISED ALL POST HGTs. PER APPROVER COMMENTS.	CMS	09/13/09

MADE CMS DATE 08/11/09 JOB No. ARO569 CUST. No.  
 CHECK BLJ DATE 08/18/09 DRAWING LB32 REV. No. ONE